

Project: _____

Item: _____

Quantity: _____

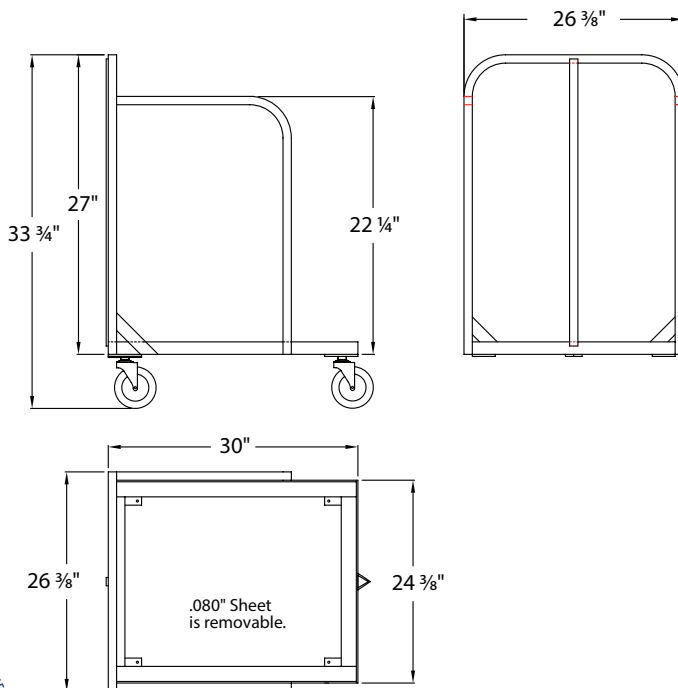
Oval Tray Dolly



This New Age rack can handle most oval tray sizes and has extra welded gussets in all corners to prevent "racking." The open sides and 5" casters make this unit easy to load, transport, and unload - perfect for serving large parties and banquets.

- Accommodates up to 23½" x 29" oval trays.
- All welded construction with all seams welded and sealed (no rivets).
- Rectangular base with pre-tapped caster plates securely welded at each corner. Solid sheet base is removable for easy cleaning.
- "V" shaped rod (⅜" thick) is welded to the front underside of the base to accept a drag hook.
- 1" strap pan stop is welded into place to prevent pans from falling on the floor.
- Equipped with four 5" plate type swivel casters.

Note: All tubing has rounded corners and all seams are fully welded.



► Oval Tray Dolly

Model No.	Size W-H-D	Weight Capacity	Ship Lbs.
Oval Tray Dolly - Not NSF Certified.			
97055	26⅜" x 33¾" x 30"	800 lbs.	36

Four 5" plate type casters; two swivel, two swivel with brake.

Accommodates up to 23½" x 29" oval trays.

Options: Options may not be NSF Certified. Contact the factory.

Caster Locks (2) - Add "CL" suffix to model #.

Aluminum Drag Hook- Not NSF Certified.			
1199	37½" Long		1



New Age Industrial Corp., Inc. || NewAgeIndustrial.com || Made in the USA

PO Box 520 • 16788 US Hwy 36 • Norton, Kansas 67654 || Phone: (800) 255-0104 • (785) 877-5121 || Fax: (877)-877-7687 • (785) 877-2616

This information is for general sales and engineering use only. New Age Industrial reserves the right to modify or make changes at any time, without notice, to materials and specifications.