

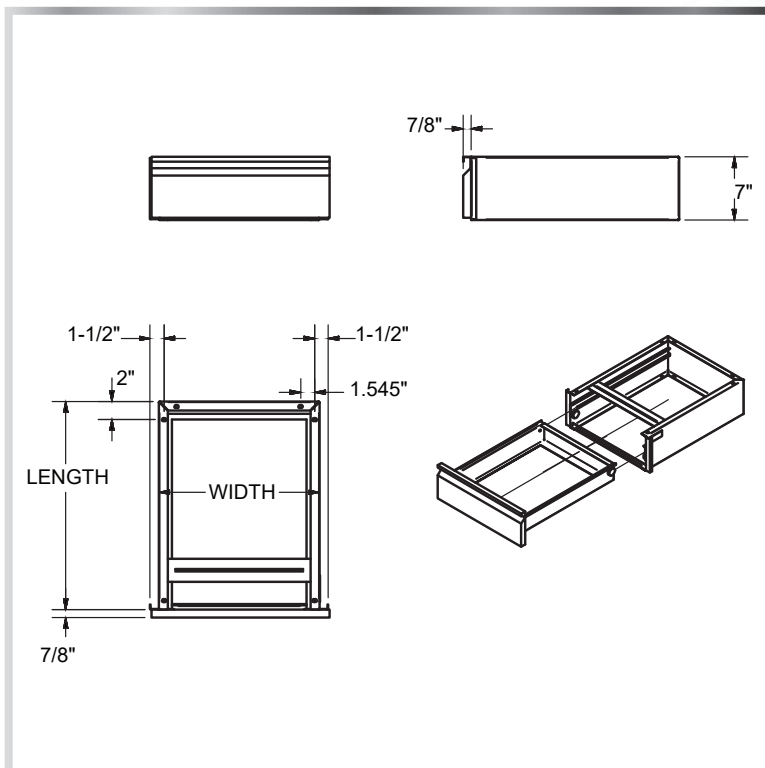
SELF-CLOSING TABLE DRAWER & DRAWER PANS

WORKTABLES - ACCESSORIES



MATERIALS

- 18 Gauge 300 Series Stainless Steel; Fabricated



FEATURES

- 200 lbs. Capacity
- Universal Mounting Kit Included
- ADA Compliant
- Drawer Pan 5" Deep

MODEL NUMBER	LENGTH	WIDTH	LOCK
TDR-1820	21"	21- ⁷ / ₈ "	No Lock
TDR-1820L	21"	21- ⁷ / ₈ "	With Lock
TDR-2015	23"	17- ⁷ / ₈ "	No Lock
TDR-2015L	23"	17- ⁷ / ₈ "	With Lock
TDR-2020	23"	23- ⁷ / ₈ "	No Lock
TDR-2020L	23"	23- ⁷ / ₈ "	With Lock
PAN-2015	20"	15"	N/A
PAN-2020	20"	20"	N/A

****TDR-1820 and TDR-1820L Fit On 18" Wide Tables ONLY****