

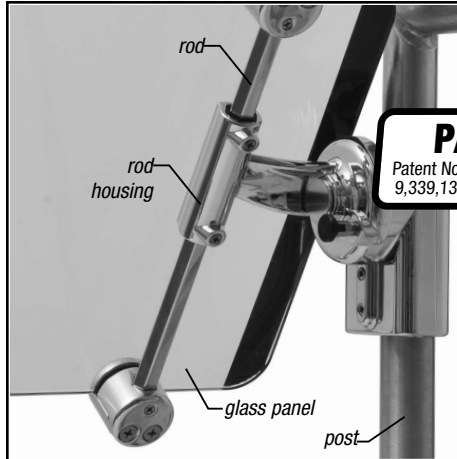


Profit from the Eagle Advantage®

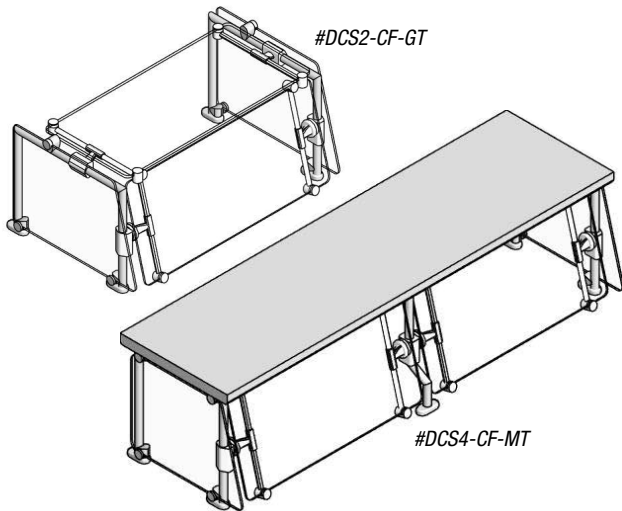
# Specification Sheet

## Short Form Specifications

Eagle Group Spec-SHIELD™ Cafeteria Food Guards, model # \_\_\_\_\_ . Cafeteria food shield designed to meet NSF requirements. Front allows maximum customer view of the food product while maximizing protection. Rear allows full access by the kitchen staff for replenishing product. Available in single- or double-tier models.



**PATENTED**  
Patent Nos. 9,538,868; 9,516,958;  
9,339,131; 9,326,621; 9,723,935



Item No.: \_\_\_\_\_  
Project No.: \_\_\_\_\_  
S.I.S. No.: \_\_\_\_\_

## Spec-SHIELD™ Cafeteria Food Guards with Glass or Solid Top

### MODELS:

- DCS2-CF-GT       DCS2-CF-MT       DCS4-CF-GT-NC
- DCS3-CF-GT       DCS3-CF-MT       DCS4-CF-MT-NC
- DCS4-CF-GT       DCS4-CF-MT
- DCS5-CF-GT       DCS5-CF-MT
- DCS6-CF-GT       DCS6-CF-MT

### Design and Construction Features

- No holes in glass panels allows for flexibility in mounting locations
- Front glass is adjustable vertically and may be rotated on 18° increments
- Top glass is adjustable horizontally.
- 1" stainless steel posts
- Mounting plates are cast aluminum with stainless steel covers
- Die cast aluminum with chrome finish brackets
- 3/4" radius corners on all glass panels
- Top glass (on models with glass top) is 3/8" thick
- Front glass is 1/4" thick. Optional 3/8" thick front glass required for spans over 54"
- End glass included

### Options / Accessories

- Heat lamps
- Lights
- 3 5/8" round mounting plate
- 3" Oval mounting plate
- 3" Oval offset mounting plate
- 2" x 8" rectangular mounting plate
- 3-point anchor
- Custom lengths available

### ⚠ WARNING:

This product can expose you to chemicals including Chromium, which is known to the state of California to cause cancer and birth defects or other reproductive harm. For more information, go to [www.P65Warnings.ca.gov](http://www.P65Warnings.ca.gov).

### EAGLE GROUP

100 Industrial Boulevard  
Clayton, DE 19938-8903 USA

Phone: 302-653-3000 • 800-441-8440

Fax: 302-653-2065

[www.eaglegrp.com](http://www.eaglegrp.com) • [www.eaglemhc.com](http://www.eaglemhc.com)

For custom configuration or fabrication needs, contact our SpecFAB® Division.

Phone: 302-653-3000 • Fax: 302-653-2065 • e-mail: [quotes@eaglegrp.com](mailto:quotes@eaglegrp.com)

### Certifications / Approvals



AutoQuotes



EG33.24C Rev. 09/22

Spec sheets available for viewing, printing or downloading from our online literature library at [www.eaglegrp.com](http://www.eaglegrp.com)

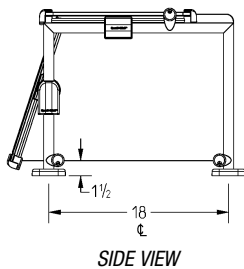
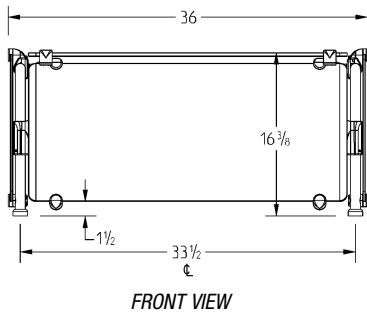
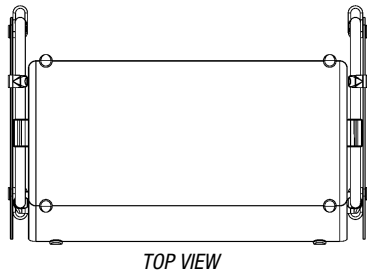
Eagle Foodservice Equipment, Eagle MHC, and SpecFAB® are divisions of Eagle Group. ©2022 by the Eagle Group



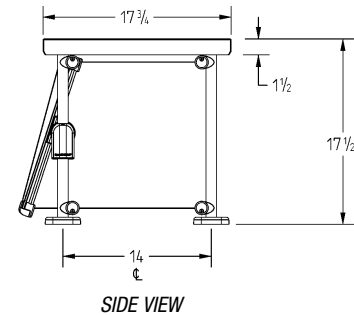
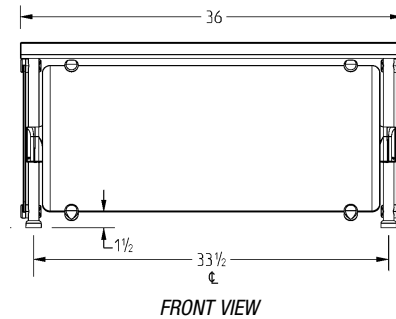
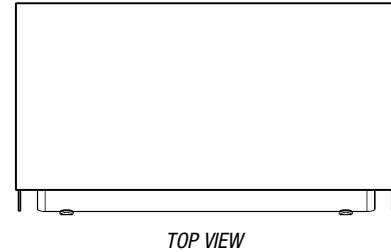
Item No.: \_\_\_\_\_  
 Project No.: \_\_\_\_\_  
 S.I.S. No.: \_\_\_\_\_

## Spec-SHIELD™ Cafeteria Food Guards with Glass or Solid Top

...with Glass Top



...or with Solid Top



(note: 36-inch models shown)

fits Series	# of leg assemblies	length in. mm	with Glass Top		model #	with Solid Top		model #
			weight lbs.	weight kg		weight lbs.	weight kg	
DCS2	2	36" 914	217	98.4	<b>DCS2-CF-GT</b>	226	102.5	<b>DCS2-CF-MT</b>
DCS3	2	50" 1270	243	110.2	<b>DCS3-CF-GT</b>	255	115.7	<b>DCS3-CF-MT</b>
DCS4	2	64" 1626	276	125.2	<b>DCS4-CF-GT-NC*</b>	296	143.3	<b>DCS4-CF-MT-NC*</b>
DCS4	3	64" 1626	276	125.2	<b>DCS4-CF-GT**</b>	292	132.5	<b>DCS4-CF-MT**</b>
DCS5	3	78" 1981	308	139.7	<b>DCS5-CF-GT**</b>	321	145.6	<b>DCS5-CF-MT**</b>
DCS6	3	96" 2438	342	155.1	<b>DCS6-CF-GT**</b>	355	161.0	<b>DCS6-CF-MT**</b>

\* Front and top glass are 3/8" thick.  
 \*\* Unit comes with mid support post.

**EAGLE GROUP**  
 100 Industrial Boulevard, Clayton, DE 19938-8903 USA  
 Phone: 302-653-3000 or 800-441-8440 • Fax: 302-653-2065  
 www.eaglegrp.com • www.eaglehmc.com

Printed in U.S.A.  
 ©2022 by Eagle Group  
 Rev. 09/22

Spec sheets available for viewing, printing or downloading from our online literature library at [www.eaglegrp.com](http://www.eaglegrp.com)

Although every attempt has been made to ensure the accuracy of the information provided, we cannot be held responsible for typographical or printing errors. Information and specifications are subject to change without notice. Please confirm at time of order.