



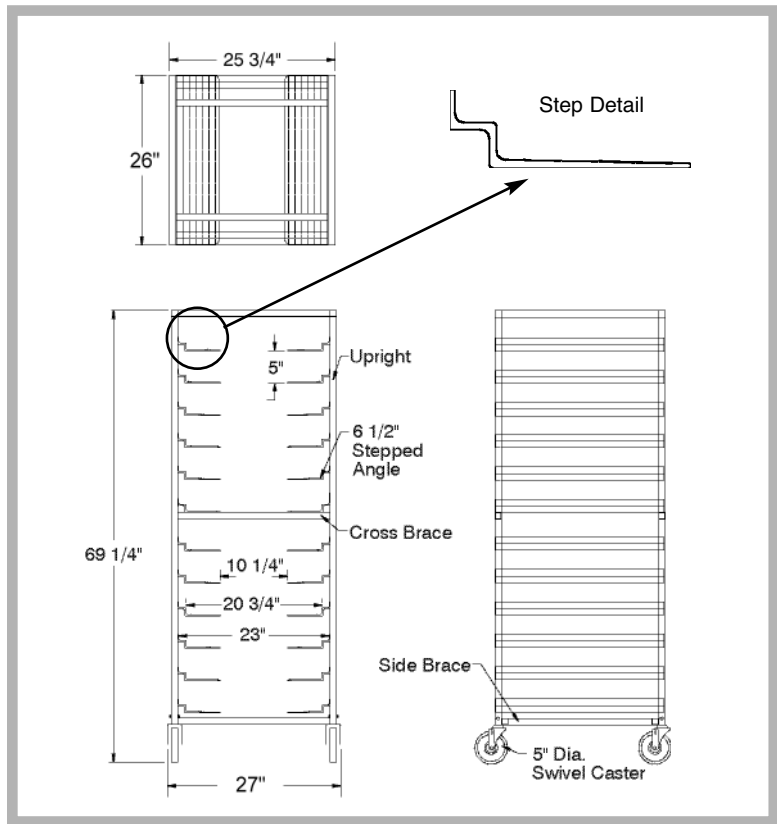
ALUMINUM
UNIVERSAL RACKS 



Item #: _____ **Qty #:** _____
Model #: _____
Project #: _____

**DIMENSIONS
and SPECIFICATIONS**

TOL ± .500" ALL DIMENSIONS ARE TYPICAL



FEATURES:

- Heavy duty welded construction with 6 cross supports.
- Heavy duty 5" stem bolted swivel casters.
- Stepped angles.

CONSTRUCTION:

Fully welded 1 1/4" square tubing ladder assembly.

MATERIAL:

6063-T52 extruded aluminum angles, upright tubing, and support pieces.

MODEL #	Pan Capacity	A Shelf Spacing	Overall Size L x W x H	Weight
UR10	10	6"	26" x 26" x 69 1/4"	86 lbs.
UR12	12	5"	26" x 26" x 69 1/4"	100 lbs.



Customer Service Available To Assist You 1-800-645-3166 8:30 am - 8:00 pm E.S.T.
Email Orders To: customer@advancetabco.com. For Smart Fabrication™ Quotes, Email To: smartfab@advancetabco.com or Fax To: 631-586-2933

NEW YORK Fax: (631) 242-6900 **GEORGIA** Fax: (770) 775-5625 **TEXAS** Fax: (972) 932-4795 **NEVADA** Fax: (775) 972-1578