



X-LARGE CAPACITY ROTISSERIE - PASS-THROUGH -  
TOUCHSCREEN CONTROLS - CURVED GLASS

# VGG-8-C-PT



VGG-8-F model shown

Ideal for supermarkets and high-volume restaurants, the BKI® VGG-8-C-PT has an extra-large cooking capacity that will meet growing customer demand and improve profitability. The VGG-8-C-PT is a pass-through rotisserie, allowing the back of the kitchen to load raw product and the front kitchen to pull cooked product, thus reducing the risk of contamination.

This rotisserie can cook up to up to 40 3-lb (1.36 kg) chickens in 75 minutes. The results are delicious—moist and tender inside and perfectly golden brown outside.

The bright touchscreen display makes operation a breeze with true one-touch cooking. Store up to 15 customizable menu programs that can be locked to protect important settings. Select English or Spanish with the new bilingual feature.

Innovative safety features include cool-door technology and sensors that stop rotation when the door is opened.

Whether poultry, pork, beef, vegetables, or your own specialty, the VGG-8-C-PT rotisserie is sure to maximize customer satisfaction and produce uniform, consistent results every time.

## FEATURES AT A GLANCE

- Touchscreen controls
- Curved glass doors
- Lighted cavity to attract customer attention
- Easy-to-clean interior
- 15 program modes with pre-heat and hold capability
- Cool door for safety
- Pass-through design
- 100% hand built in the U.S.A.



### PRODUCT CAPACITY

Cooks up to 40 3-lb (1.36 kg) chickens in 75 minutes at the touch of a button.



### ELECTRIC OPERATION

Energy efficiency and easy installation are a perfect pairing for your food service operation.



### TOUCHSCREEN CONTROLS

True one-touch process controls ensure menu items are perfectly cooked.



### COOL-DOOR SAFETY

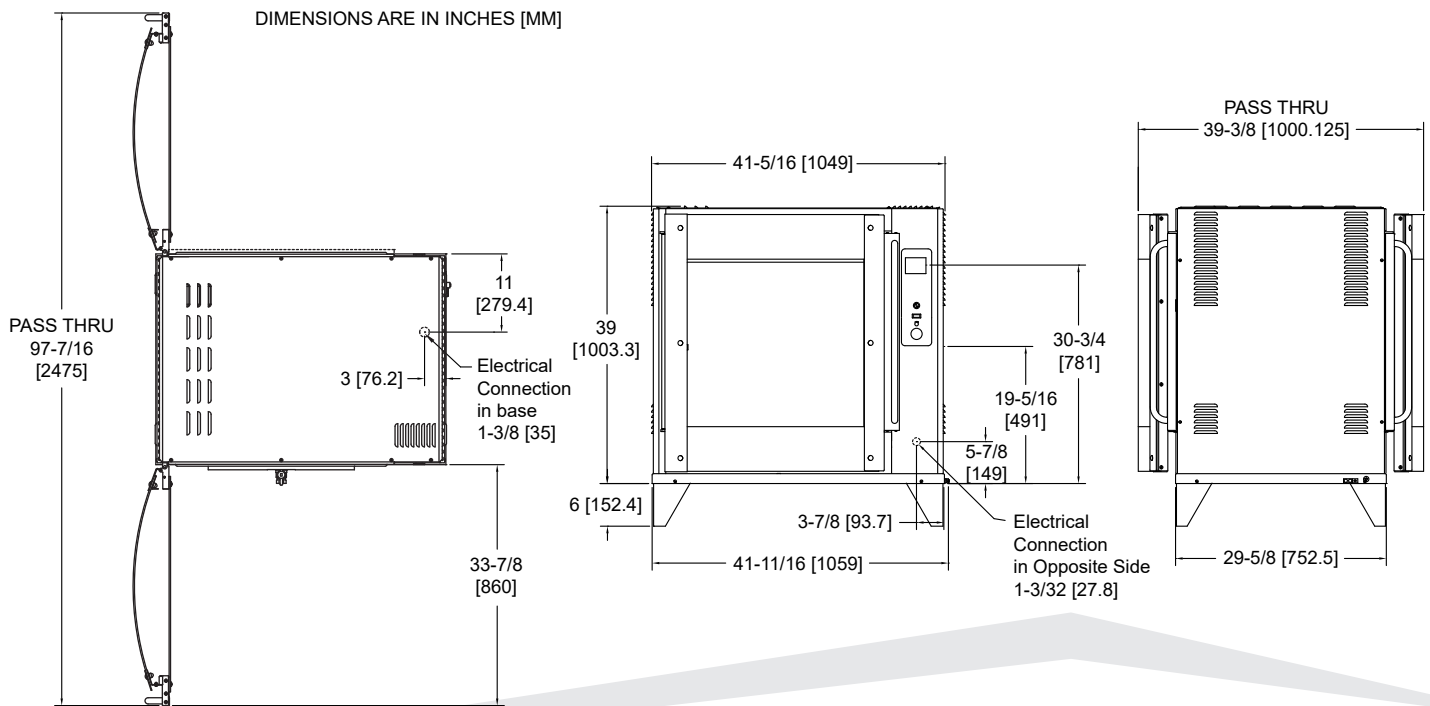
Double doors insulate to prevent burns; sensors stop rotation and cooking when door is opened.

[www.bkideas.com](http://www.bkideas.com)

42 Allen Martin Drive, Essex Junction, VT 05452 • Phone: (802) 658-6600 • Fax: (802) 864-0183

BK1275 Rev C (2/23)

## EQUIPMENT DIMENSIONS



## MECHANICAL SPECIFICATIONS

Dimensions	Uncrated
Height	45" (1155.7 mm)
Width	41 5/16" (1049 mm)
Depth	39 3/8" (1000.1 mm)
Floor space	10.6 sq ft (.98 sq m)
Weight	530 lb (240 kg)

## ELECTRICAL OPTIONS

Volts	Hz	Amps	Breaker	kW	Phase	Wires
208	50/60	29.7	40	10.6	3	3+GND
220	50/60	26.4	35	9.9	3	3+GND
240	50/60	28.7	40	11.8	3	3+GND
380/220	50/60	15	20	9.3	3 w/ N	4+GND
400/230	50/60	15	20	10.2	3 w/ N	4+GND
415/240	50/60	16	20	11.1	3 w/ N	4+GND

## OPTIONS

- Solid back
- Flat glass
- Drain on drip pan
- Controls on left side



Visit [www.bkideas.com](http://www.bkideas.com) to view all accessories available with this model.