



# SW-1RS SERIES

## POS Interface Scale

The SW-1RS Series doubles as a POS Interface Scale and a Portion Control Scale. Great for use in restaurants, cafeterias, farmer's markets, and more. Simple and easy to use. Fits easily on any countertop with its small footprint.

- Connects with many ECR's and POS systems
- Compact design
  - use where space is limited
- Easy to clean
- Legal for trade



# CAS

# SW-1RS SERIES | POS Interface Scale

TOTAL WEIGHING SOLUTION™

## FEATURES

- Communicate with POS Systems/ECRs\*  
\*Lb, Kg, Oz only
- AC or Battery Operated
- Large Easy to Read 1 Inch LCD Display
- Customer Rear Display Included
- Lb/g/kg/oz Switchable
- Soft Touch Tactile Keyboard
- Stainless Steel Platter
- Auto Power Off
- Warranty - 1 year



Communicate with POS Systems/ECRs



Customer Rear Display



Optional Large Platter

## OPTIONS

- Full Body Protective Cover
- Large Platter
- Serial Cable

Ideal for use in restaurants, cafeterias, farmer's markets, ice cream & candy shops, and more.

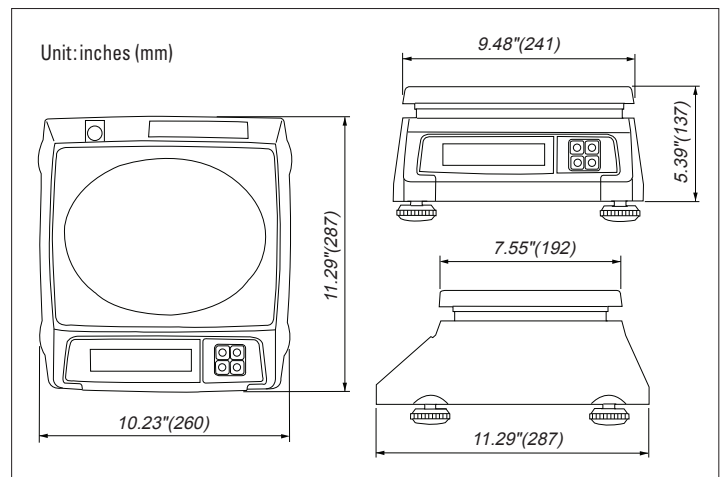


## SPECIFICATIONS

Model		SW-10RS	SW-20RS
Weighing Capacity	lb	10 x 0.005 lb	20 x 0.01 lb
	oz	160 x 0.1 oz	400 x 0.2 oz
	kg	5 x 0.002 kg	10 x 0.005 kg
	g	5000 x 2 g	10000 x 5 g
Display Digit		5 Digit LCD (1 Inch)	
Display Designators		Stable, Zero, Net, Batt	
Keys		Zero, Tare, Unit, Power	
Interface		RS-232 - 9 pin DB Female	
Measurement Type		Load Cell	
Power Source		DC 9V (1.5V x 6 ea) / AC Adapter Included	
Power Consumption		0.25 W	
Operating Time		Alkaline Dry Battery: 1000 hr	
Operating Temp		-10°C ~ 40°C / 14°F ~ 104°F	
Platter Size (in/mm)		9.05(W) x 7.48 (D) / 230 (W) x 190 (D)	
Dimensions (inch/mm)		10.23 (W) x 11.29 (D) x 5.39 (H)	
		260 (W) x 287 (D) x 137 (H)	
Product Weight		6.92 lbs / 3.14 kg	
Approvals		NTEP COC #: 99-002	



## DIMENSIONS



# CAS

99 Murray Hill Parkway  
East Rutherford, NJ 07073

TEL: (201) 933-9002

FAX: (201) 933-9025

<http://www.cas-usa.com>

Specifications are subject to change for improvement without prior notice.