

3-BOWL 2-DRAINBOARD CORNER DISH TABLE

DISH TABLES - 3 BOWL CORNER



MATERIALS

- 18 Gauge 300 Series Stainless Steel Top
- Galvanized Legs, Gussets, and Bracing
- Plastic Bullet Feet

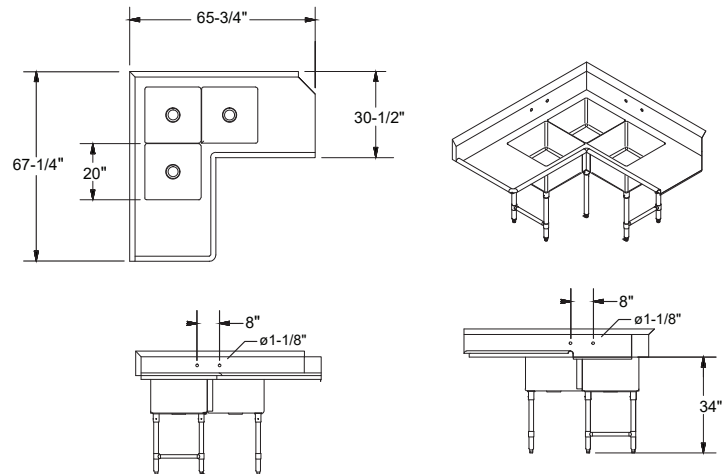


**COMPATIBLE WITH
NEW NBR FAUCETS!**

SEE PAGE 75

FEATURES

- Designed to Fit Into Dish Machine
- 9" Backsplash with 2" Return to Wall
 - Two Sets of 8" On-Center Wall-Mounted Faucet Holes
- 3-1/2" Die-Stamped Drain Opening
 - Two 20" Drainboards
 - Adjustable Bullet Feet
 - Drain Basket Included



SDT3C-202012L20 Shown

MODEL NUMBER	BOWL SIZE L X W X H	LENGTH	WIDTH	DRAINBOARD SIZE
SDT3C-202012L20	20" x 20" x 12"	65-3/4"	30-1/2"	20"
SDT3C-202012R20	20" x 20" x 12"	65-3/4"	30-1/2"	20"