

THIS DRAWING IS THE PROPERTY OF JADE RANGE LLC NO PART OF THIS DOCUMENT MAY BE COPIED OR USED WITHOUT THE WRITTEN PERMISSION.

THIS DRAWING IS A CONCEPTUAL LAYOUT, SUBJECT TO CHANGES AS THE FINAL MANUFACTURING PARTS ARE CREATED.

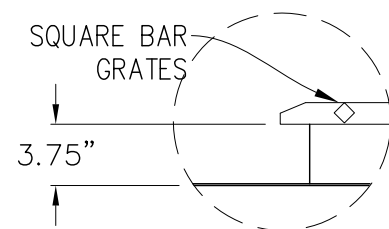
ITEM	QTY	MODEL #	DESCRIPTION	BTU/HR	AMP
1	1	JTRH-ROBATA, 48	TITAN 48", ROBATA RANGE (SINGLE CHAMBER)	115,000	N/A

REVISIONS					
REV	DESCRIPTION	ECN	BY	DATE	APPROVED
A	INITIAL DRAWING PER REQUEST	XXX	ECS	07.11.19	

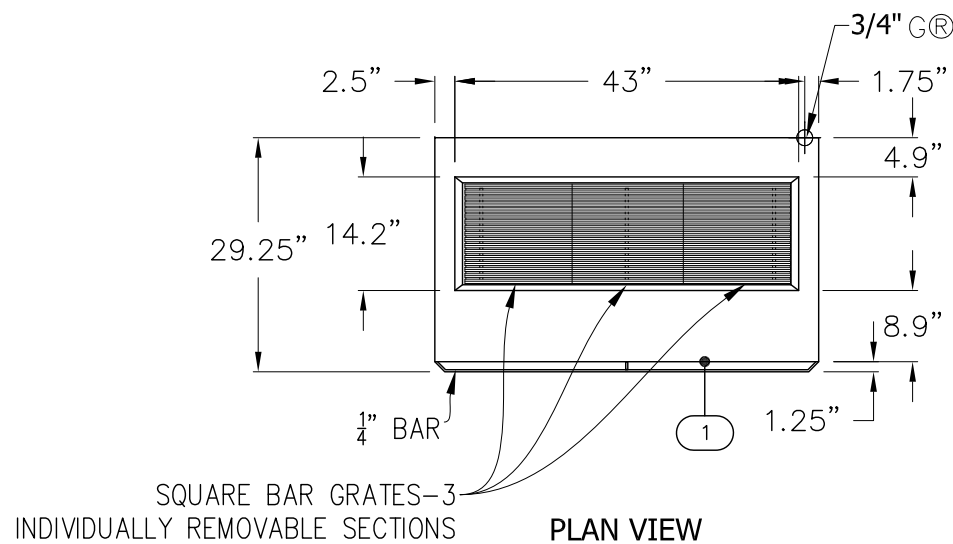
CHANGES TO DRAWING MAY RESULT IN CHANGES TO DELIVERY DATE & COST

NOTE:

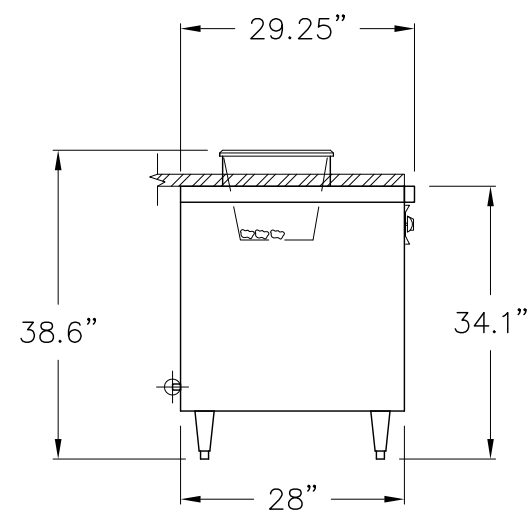
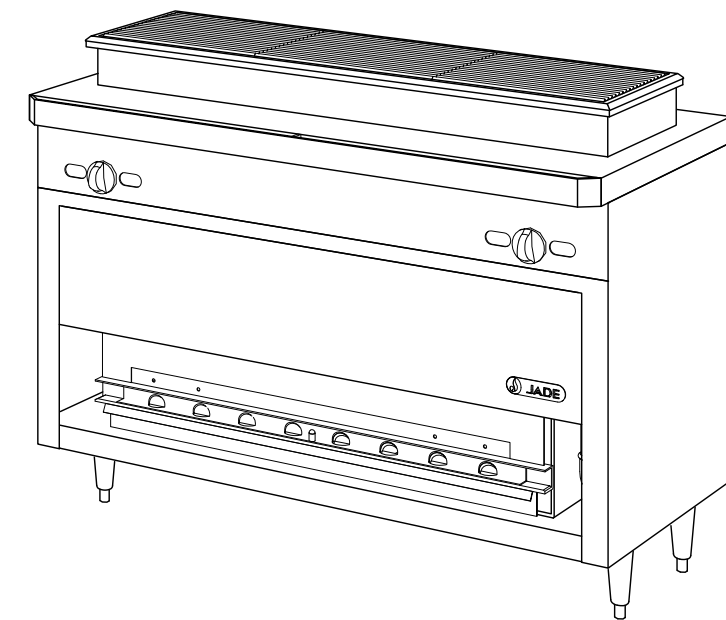
- All units ship assembled unless otherwise specified. Jade Range ships salamanders and cheesemelters range mounted and line-ups & suites ship in as large of sections as possible for easier assembly onsite at the time of install.



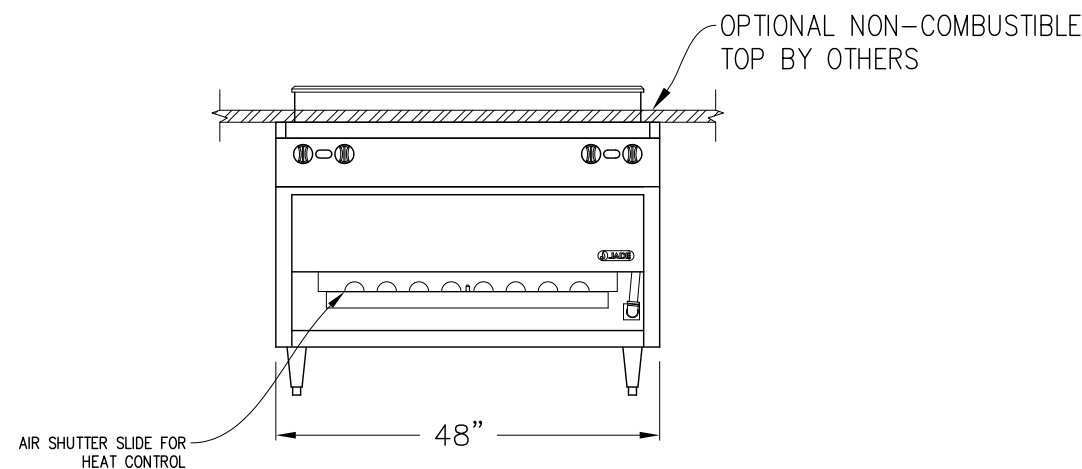
DETAIL A



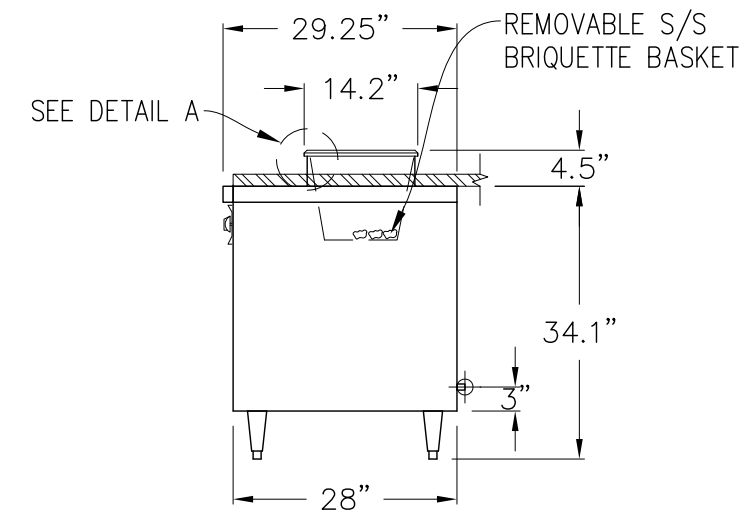
PLAN VIEW



SIDE VIEW



ELEVATION



SIDE VIEW

MIN 6" CLEARANCE ABOVE FLUE PEDESTALS

GAS TYPE:
ELEVATION:
TO BE SPECIFIED BEFORE MFG.

1. +GⓂ REGULATOR AND GAS CONNECTION
2. ELECTRICAL CONNECTION
3. DRAIN
4. REFRIGERATION
5. WATER
6. GAS SHUT-OFF VALVES AND CONNECTIONS SUPPLIED BY OTHERS.
7. ALL ELECTRICAL WORK (INSTALLATIONS AND CONNECTIONS) MUST BE PROVIDED BY OTHERS (BY CERTIFIED ELECTRICIAN)



UNLESS OTHERWISE NOTED DIMENSIONS ARE IN INCHES AND TOLERANCES: .X±.125 .XX±.03 .XXX±.015. ANGLES ±1°

MATERIAL	DRAWN	ECS	07.11.19
FINISH	CHECKED		
	APPROVED		

DESC	48" ROBATA, GAS		
FOR	SIZE	DWG NO	
	B	19321A	
SCALE	1/2" = 1'-0"		SHEET 1 OF 1

PROJECT MANAGER: CAEL GODIN