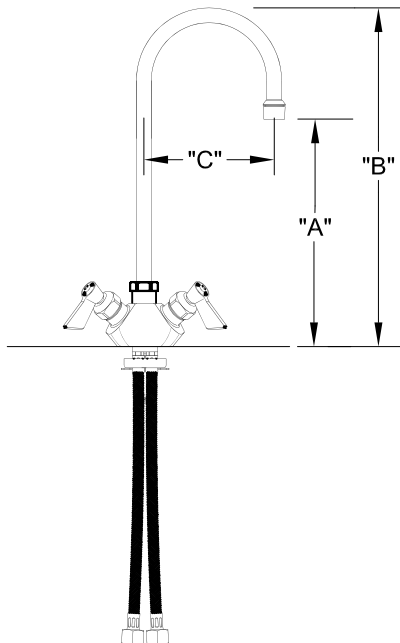
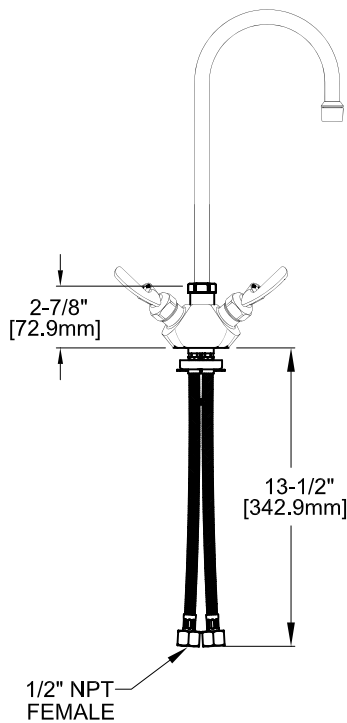


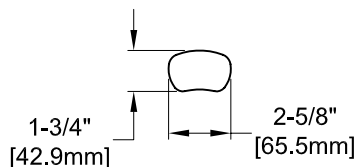
SINGLE DECK DUAL CONTROL FAUCET W/ LEVER HANDLES



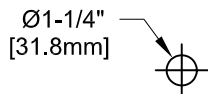
SINGLE DECK DUAL CONTROL FAUCET W/ WRIST HANDLES



FOOTPRINT:



ROUGH-IN:



PRODUCT NAME: STAINLESS STEEL
SINGLE DECK DUAL CONTROL FAUCET

MODEL:

- 52892 W/ 6" SWIVEL/RIGID GOOSENECK SPOUT W/ LEVER HANDLES
- 52906 W/ 12" SWIVEL/RIGID GOOSENECK SPOUT W/ LEVER HANDLES
- 57398 W/ 6" SWIVEL/RIGID GOOSENECK SPOUT W/ WRIST HANDLES
- 57401 W/ 12" SWIVEL/RIGID GOOSENECK SPOUT W/ WRIST HANDLES

FEATURES

CONTROL VALVE

- * SINGLE DECK DUAL CONTROL
- * STAINLESS STEEL CONSTRUCTION
- * SWIVELLING SEAT DISKS
- * HOT SIDE STEM - RIGHT HAND
- * COLD SIDE STEM - LEFT HAND
- * LEVER HANDLES OR WRIST HANDLES
- * STAINLESS STEEL BRAIDED HOSE

SYSTEM LIMITS

- * TEMP: 40°F MIN. TO 140°F MAX. STATIC
- * PRESSURE 200 PSI MAX.
- * 2.20 GPM AT 80 PSI

SHIPPING WEIGHT

- * 4.75 LBS

* NSF 61-9 APPROVED & LISTED

www.truesdail.com

MODELS	DIM "A"	DIM "B"	DIM "C"
52892	4-7/8"	8-7/16"	3-1/2"
57398	[123.8mm]	[214.3mm]	[88.90mm]
52906	8-5/8"	12-5/8"	5-1/2"
57401	[219mm]	[320.6mm]	[139.7mm]

FISHER

FISHER MANUFACTURING COMPANY

TOLL FREE: 800-421-6162 - FAX: 800-832-8238

information@fisher-mfg.com - www.fisher-mfg.com

ANSI/A112.18.1-2005