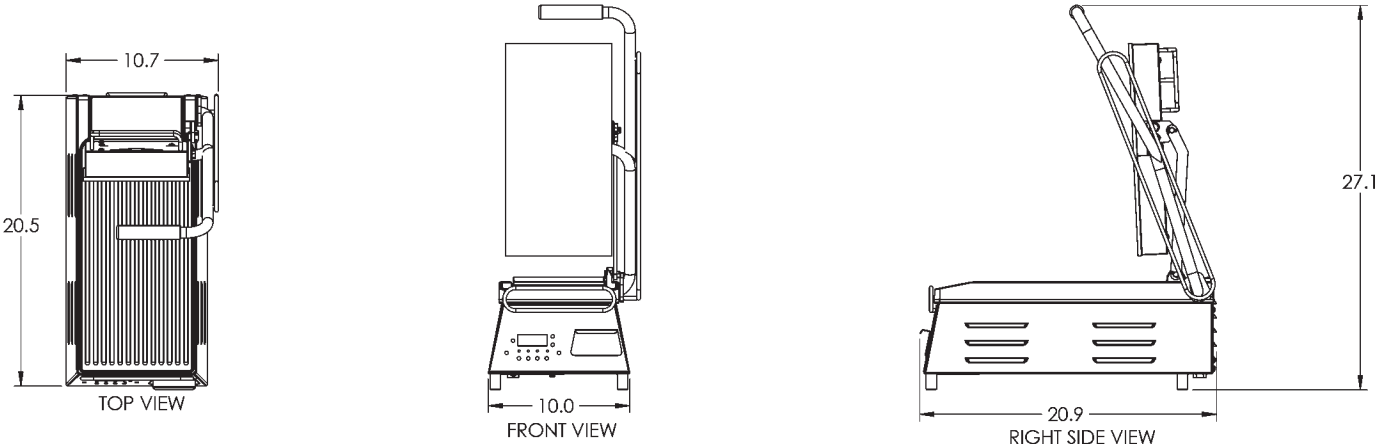


Vantage Light

CS157



Equipment Details

Temperature Control	Yes	Shipping Weight	80lbs/36kg
Maximum Heat	525F/274C	Machine Weight	68lbs/30kg
Programmable Timer	Yes	Voltage	120/220
Self-leveling Platen	Yes	Wattage	1150/1150
Plug	NEMA 5-15P	Amps	9.6/5.2



PROLUXE™

CORPORATE HEADQUARTERS
20281 HARVILL AVE. PERRIS, CA 92570

KITCHEN EFFICIENCY
THROUGH INNOVATION

ADVICE AND SUPPORT
1-800-624-6717

Optimized for Output

Small but powerful. This grill succeeds in high production operations while saving on energy costs. The single lid design is under 11 inches wide, giving you more counter space to prep while easily grilling sandwiches, burritos, and more.



Vantage Light

Single Lid Clamshell Grill
CS157

Efficient from the Start

High heat safe aluminum makes for faster grilling to get orders out the door. Voltage and amp power reduced to lower electricity costs without skipping a beat in productivity.



EMBEDDED HEATING ELEMENTS



GRILLED IN SECONDS



ENERGY EFFICIENT

