

# BLACK◆DIAMOND

## Heavy Duty Gas Griddles - BDCTG Series

Black Diamond's heavy duty gas countertop griddles are designed for use with either natural or LP gas. Constructed of stainless steel front and sides that are fully welded, these units are able to stand the toughest of kitchen environments. Each unit includes tips for field conversion to LPG.



BDCTG-24  
BDCTG-36  
BDCTG-48

### Standard Features

- ◆ Stainless steel front bullnose design and splash guards that are fully welded for extra durability
- ◆ 30,000 BTU per burner
- ◆ One U-shaped cast iron burner for every 12" griddle width
- ◆ Griddle plate is made up of 3/4" thick steel
- ◆ 3" wide grease trough for easy cleaning
- ◆ 4"-5" adjustable legs
- ◆ Separate gas valves for each burner with standing pilot ignition system
- ◆ Removable stainless steel drip tray for easy cleaning
- ◆ 3/4" rear NPT gas inlet
- ◆ ETL Listed and ETL Sanitation



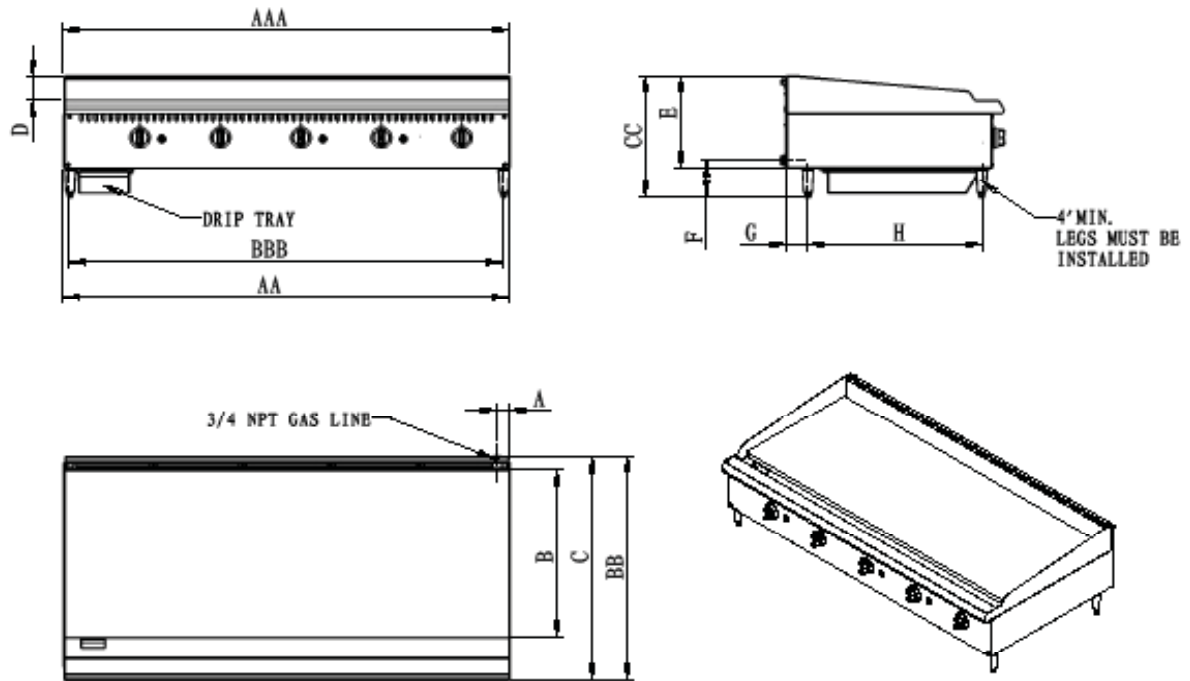
Black Diamond warrants this product to be free of defects in materials and workmanship for period of 1 year from the date of original installation.

Model	Overall Width	Burners	Total BTU	Net Weight (lb)	Gross Weight (lb)
BDCTG-24	24"	2	60,000	179	212
BDCTG-36	36"	3	90,000	273	306
BDCTG-48	48"	4	120,000	353	386

# BLACK◆DIAMOND

Heavy Duty Gas Griddles - BDCTG Series

## Plan View



## Unit Dimensions (inches)

Model	A	B	C	D	E	F	G	H	AAA	BBB	AA	BB	CC
BDCTG-24	1.75	22.5	30	3.25	12.25	5	3	23.3	24	22.25	24	30	16.25
BDCTG-36	1.75	22.5	30	3.25	12.25	5	3	23.3	36	34.25	36	30	16.25
BDCTG-48	1.75	22.5	30	3.25	12.25	5	3	23.3	48	46.25	48	30	16.25

## Drip Tray (inches)

Model	Width	Depth	Height	Drip Tray Qty
BDCTG-24	7.5	20.5	3	1
BDCTG-36	7.5	20.5	3	1
BDCTG-48	7.5	20.5	3	1