



Model: **16-121L** Item #: \_\_\_\_\_ Date: \_\_\_\_\_

Project: \_\_\_\_\_ Qty: \_\_\_\_\_ Approved By: \_\_\_\_\_

# Double Pedal Knee Valve

Royal Series

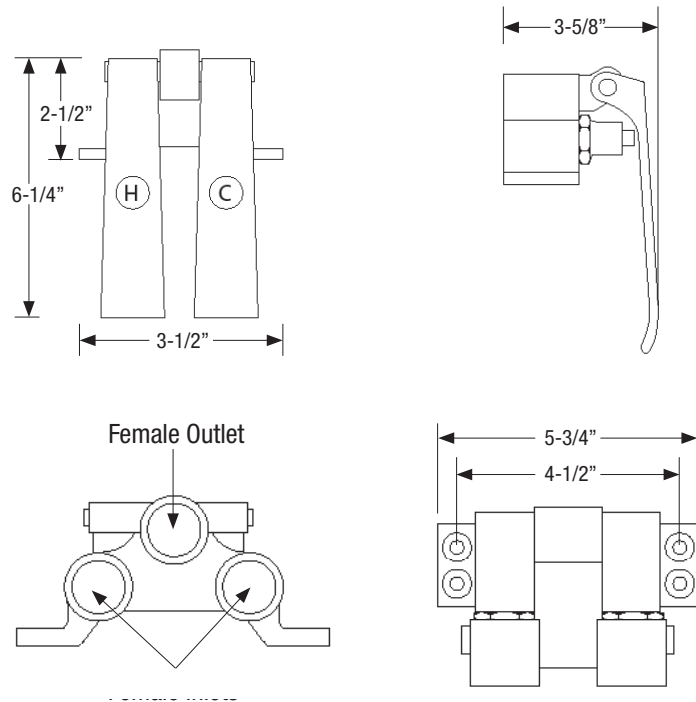


### STANDARD FEATURES

- Self-closing valve
- Color-coded foot pedals
- 1/2" female inlets
- 1/2" outlet
- 4-1/2" hole centers
- Lead free compliance

### PRODUCT COMPLIANCE

- NSF-61 & NSF/ANSI 372
- ASME A112. 18. 1-2012/CSA BA125. 1-12
- Massachusetts Approved



**WARNING:** Plumbing connections should be made by qualified personnel who will observe all applicable plumbing, sanitary and safety codes. California Proposition 65 Warning