



Project _____
 AIA # _____ SIS # _____
 Item # _____ Quantity _____ C.S.I. Section 114000



MG2032 Mixer-Grinder



MODELS

- MG2032** Mixer-Grinder, hopper capacity 200 pounds

STANDARD FEATURES

- + Exclusive WEDGE cylinder ensures full rate feeding for the entire batch
- + 7.5 HP grind motor, 1 HP mix motor
- + 8 foot cord and plug power connection
- + Hand removable and interchangeable seals
- + Counterbalanced lid
- + Double-sealed push button control panel with condensate heater
- + Easy access hopper interior and exterior surfaces
- + 200 pound hopper capacity
- + Side feed option for tandem grinding (right side only)
- + Convenient load and discharge height
- + Double-wall construction for added sanitation

OPTIONAL FEATURES & ACCESSORIES

- #32 Stay-Sharp knife and plates
- Split level grinding table
- X-frame rolling lug cart
- Side board
- #32 end ring adapter for tandem
- Bulker adapter for Hollymatic
- Pneumatic foot control

SPECIFIER STATEMENT

Specified unit will be an NSF rated, Hobart mixer-grinder with a 200 pound hopper capacity. Unit has separate mix and grind motor; mix motor is 1 HP and grind motor is 7.5 HP. Features include an exclusive WEDGE cylinder that ensures full rate feeding, hand removable and interchangeable seals, and counterbalanced lid. Double wall construction and double-sealed push button control panel with condensate heater. Unit is able to operate in tandem with optional side feed.

MG2032 MIXER-GRINDER

Approved by _____ Date _____ Approved by _____ Date _____



SOLUTIONS/BENEFITS

PERFORMANCE

Separate Grind and Mix Motors

- + 7.5 HP grind motor, 1 HP mix motor

Stay-Sharp Knife and Plates

- + Made from an alloy steel that holds its edge longer than standard carbon steel
- + Can be resharpened many more times than regular plates

WEDGE Cylinder

- + Ensures full rate feeding for the entire batch

Stainless Steel Finish

- + Easy to clean and exceptionally durable

EASE OF USE

Large Hopper Capacity

- + 200 pound hopper capacity for large loads

Easy-Access Hopper Interior and Exterior Surfaces

- + Makes loading and unloading faster and easier

SANITATION & CLEANING

Removable Parts

- + The mixing arm, conveyor screw, cylinder, conveyor screw drive seal and mix arm seal are all removable for easy cleaning

Stainless Steel Finish

- + Easy to clean and exceptionally durable

Easy-Access Hopper Interior and Exterior Surfaces

- + Makes cleaning interior and exterior easier for the operator

OPERATOR ASSURANCE

Electrical Interlock Switch

- + Power to motor is shut off when hopper lid is opened
- + Hopper lid must be in proper operating position before grinder motors can be started

Ergonomically Designed

- + Angled hopper makes it easy for the operator to load product
- + Grinding end located at optimal height for easy unloading
- + Optional pneumatic foot control reduces operator fatigue

SPECIFICATIONS:

Motor: 7.5 HP grind motor, 1 HP mix motor.

Electrical: Available in 208/60/3 and 480/60/3.

Switch: Electrical controls consist of front-mounted water resistant switches, magnetic contactors, dual-motor overload protection and foot switch operation capability.

Grinding End: The mixer-grinder is equipped with a “wedge cylinder” grinding end. This grinding end is sized for #32 knives and plates (not included but optionally available).

Capacity: 200 pound hopper capacity. Meat capacity up to 200 pounds depending on the type of product.

Finish: Glass bead finished stainless steel hopper, stainless steel panels to enclose the base assembly and motors.



Optional Equipment: Hopper side feed inlet (right side only)

Special Equipment: When MG2032 is used with tandem side feed, a #32 adapter ring is required in order to connect the machine to another mixer grinder.

Warranty: 1-year parts, labor, and travel during normal working hours within the USA.

Cord and Plug: 8 foot cord and plug power connection.

Plugs and Receptacles:

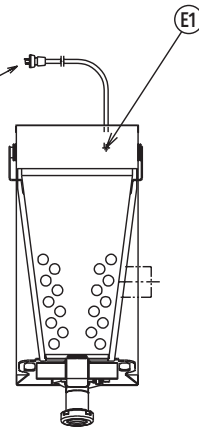
Machine Voltages		
Service Current Requirement if Plug Connected	208/60/3	460/60/3
	20 Amp.	30 Amp.
Terminal Designation of Plug	3 Pole 4 Wire Grounding	3 Pole 4 Wire Grounding
NEMA Plug Configuration	L15-30P	L16-20P
Plug Configuration		
Molded Plug on Cord	No	No
Plug - Straight/Angle	Straight	Straight
NEMA Receptacle or Connector Configuration	L16-20P	L16-20P

DETAILS AND DIMENSIONS

Voltage	NEMA Configuration		
	Plug	Connector	Receptacle
208/60/3	L15-30P	L15-30R	L15-30R
480/60/3	L16-20P	L16-20R	L16-20R

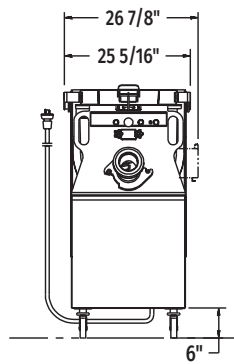
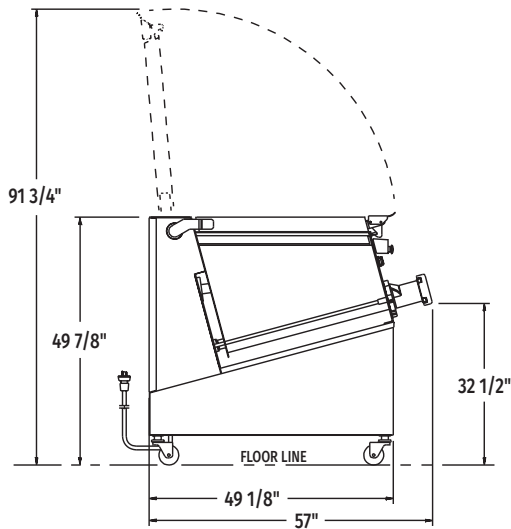
WARNING: Electrical and grounding connections must comply with the applicable portions of the National Electrical Code and/or other local electrical codes.

POWER CORD SUPPLIED AS STANDARD (LENGTH APPROX. 8 FT) REQUIRES A WATER TIGHT RECEPTACLE OR CONNECTOR (SELECT BY VOLTAGE-SEE CHART). RECEPTACLE SHALL BE INSTALLED IN A TYPE FD CONDUIT BOX.

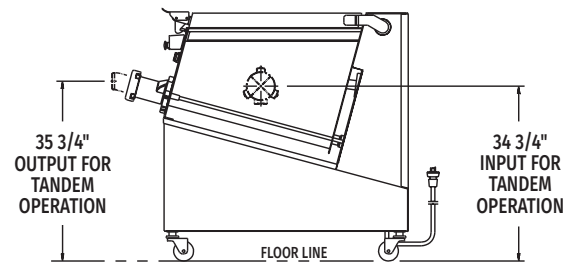


LEGEND

Electrical Connections	
E1	Electrical connection



ADJUSTABLE CASTERS MAY ADD AN ADDITIONAL 2-1/2" TO ALL HEIGHT DIMENSIONS (SEE NOTE 1)



SPECIFICATIONS

Grind Motor (H.P.)	7-1/2
Mix Motor (H.P.)	1
Rated Amps @ 208/60/3	30.0
480/60/3	15.0

NOTES: May be supplied with casterless feet. Casterless feet to adjust an additional 2".