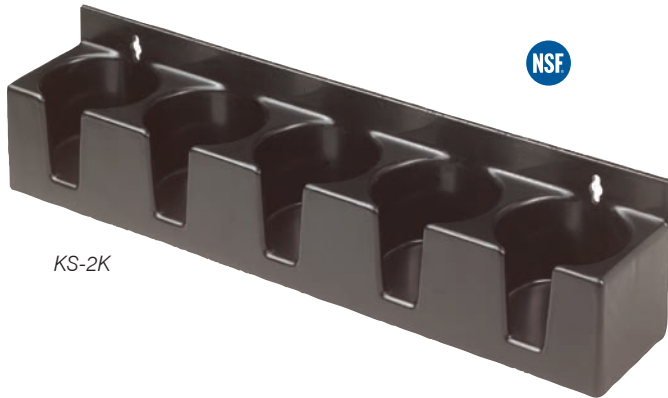




STAINLESS STEEL Black Plastic Speed Rails



KS-2K

Item #: _____ Qty #: _____
 Model #: _____
 Project #: _____

Features:

Injection molded black plastic
 Available with strap hangers or keyhole installation
 Sold 6 per carton

OPTIONAL:

PR-STRAP: Add stainless steel straps - one pair
 (For KS-2K & BK Series Only)



Model #	Length	Keyhole Distance	Bottle Capacity	Carton Weight
KS-2K	23"	18"	5	12 lbs.

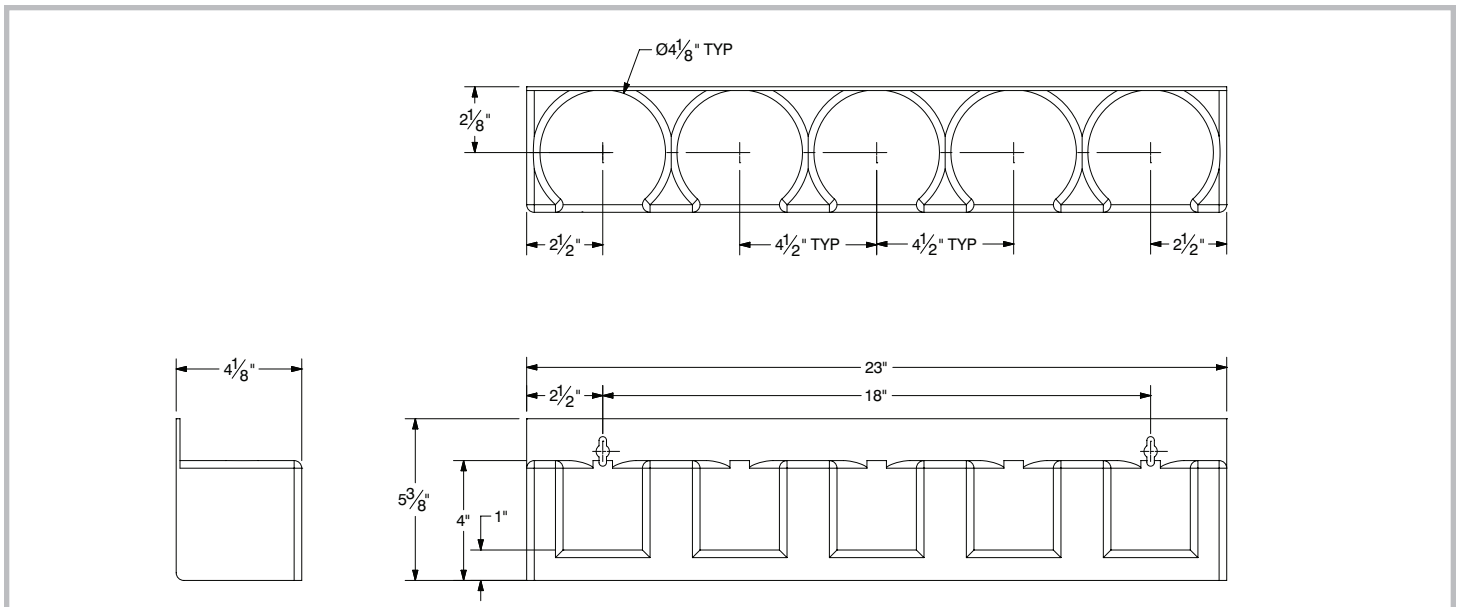
OPTIONAL:

PR-STRAP: Add stainless steel straps - one pair
 (For KS-2K & BK Series Only)

DIMENSIONS and SPECIFICATIONS

TOL Overall: ± .500" Interior: ± .250"

ALL DIMENSIONS ARE TYPICAL



Customer Service Available To Assist You 1-800-645-3166 8:30 am - 7:00 pm E.S.T.

For Orders & Customer Service:
 Email: customer@advancetabco.com or Fax: 631-242-6900

For Smart Fabrication™ Quotes:
 Email: smartfab@advancetabco.com or Fax: 631-586-2933