



T&S BRASS AND BRONZE WORKS, INC.
 2 Saddleback Cove / P.O. Box 1088
 Travelers Rest, SC 29690

Model No.
133XP-ADE-F10

Item No.

Travelers Rest, SC: 800-476-4103 • Simi Valley, CA: 800-423-0150 • Fax: 864-834-3518 • www.tsbrass.com

This Space for Architect/Engineer Approval

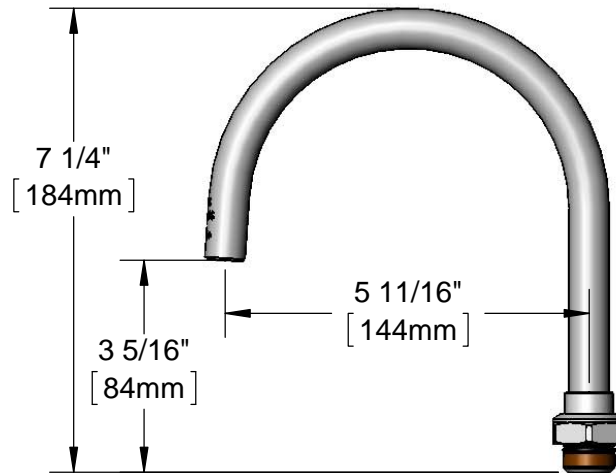
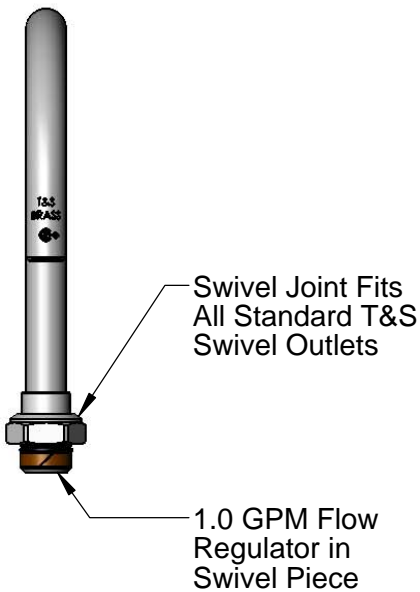
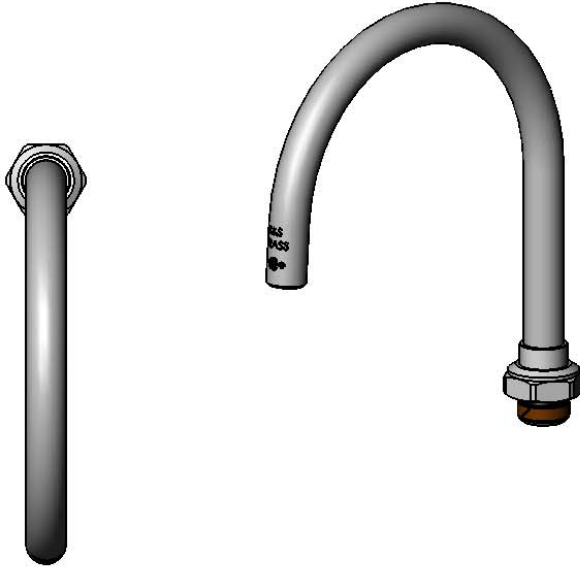
Job Name _____ Date _____

Model Specified _____ Quantity _____

Customer/Wholesaler _____

Contractor _____

Architect/Engineer _____



Product Specifications:
 Plain End Swivel Gooseneck with 5 11/16" Spread & 1.0 GPM Flow Regulator in Swivel Piece

Drawn DMH	Checked GEF	Approved JHB
---------------------	-----------------------	------------------------

Scale: 1:3	Date: 07/02/15
----------------------	--------------------------