



**T&S BRASS AND BRONZE WORKS, INC.**  
 2 Saddleback Cove / P.O. Box 1088  
 Travelers Rest, SC 29690

Model No.  
**B-7242-U10-WS7B-C**

Item No.

Travelers Rest, SC: 800-476-4103 • Simi Valley, CA: 800-423-0150 • Fax: 864-834-3518 • www.tsbrass.com

This Space for Architect/Engineer Approval

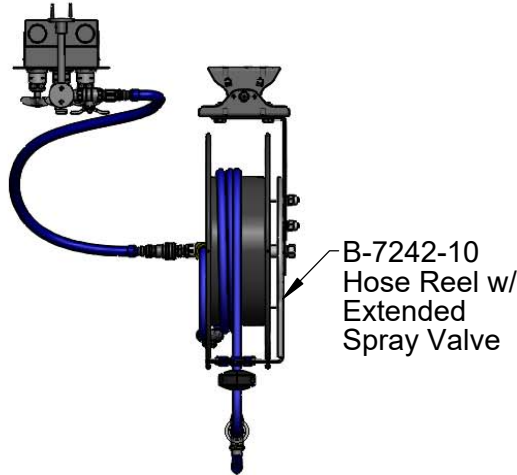
Job Name \_\_\_\_\_ Date \_\_\_\_\_

Model Specified \_\_\_\_\_ Quantity \_\_\_\_\_

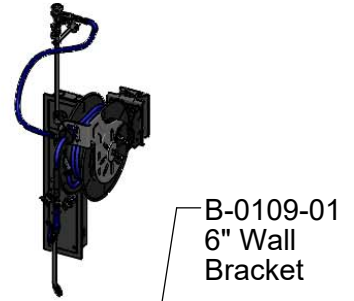
Customer/Wholesaler \_\_\_\_\_

Contractor \_\_\_\_\_

Architect/Engineer \_\_\_\_\_



B-7242-10  
 Hose Reel w/  
 Extended  
 Spray Valve



B-0109-01  
 6" Wall  
 Bracket

B-0963  
 Continuous Pressure  
 Vacuum Breaker w/  
 Integral Check Valve  
 3/8" NPT x 36"  
 Flexible Water  
 Connector

EasyInstall  
 3/8" NPT x 18" Riser  
 Stainless Steel  
 Quick Disconnect

019652-40  
 3/8" NPT  
 Live Swivel

EB-2322  
 High Flow  
 Extended  
 Spray Valve

4-Arm Handles &  
 Quarter-Turn Ceramas  
 w/ Check Valves

Swivel Elbow w/  
 Ø2" [51mm] Flange,  
 1/2" NPT Female Inlet

34"  
 [864mm]

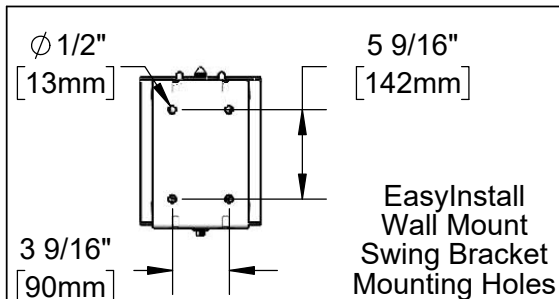
25"  
 [635mm]

Removeable  
 Wall Flange

8"  
 [203mm]

4"  
 [102mm]

Cabinet Rough-In Requirement:  
 32" H x 6" W x 4" D



EasyInstall  
 Wall Mount  
 Swing Bracket  
 Mounting Holes

56"  
 [1422mm]  
 Floor

Product Specifications:

Epoxy Coated Hose Reel w/ 50' Hose, High Flow Extended Spray Valve w/ Swivel, EasyInstall SS Recessed Hose Reel Cabinet w/ Mixing & Control Valve, 4-Arm Handles, Quarter-Turn Ceramas w/ Check Valves, Dual Check Valves, Inlets for Bottom Supplies, 100 Deg EasyInstall Stainless Steel Swing Bracket w/ Mounting Hardware & Hose Reel Connector Kit

Product Compliance:

NSF 61 Exempt (Non-Potable)  
 ASSE 1056 (VB)  
 2019 DOE PRSV Non-Compliant



# T&S BRASS AND BRONZE WORKS, INC.

2 Saddleback Cove / P.O. Box 1088  
Travelers Rest, SC 29690

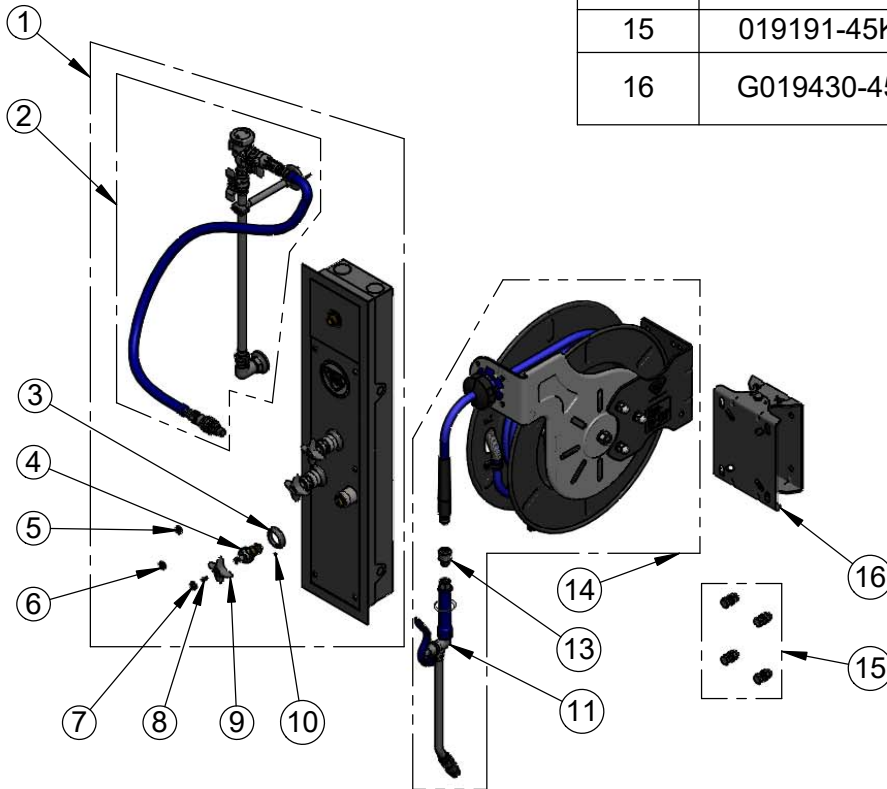
Model No.

**B-7242-U10-WS7B-C**

Item No.

Travelers Rest, SC: 800-476-4103 • Simi Valley, CA: 800-423-0150 • Fax: 864-834-3518 • www.tsbrass.com

ITEM NO.	SALES NO.	DESCRIPTION
1	B-1460-RMB-CR	EasyInstall Recessed Hose Reel Cabinet w/ Bottom Inlets & Ceramas
2	0RK-SK	Hose Reel Connector Kit
3	020839-40	Narrow Slip Flange w/ Set Screw
4	012394-25NS	Quarter-Turn Cerama Cartridge w/ Check Valve, RTC
5	001205-19NS	White Button Index, Press-In
6	001193-19NS	Red Button Index, Press-in
7	018506-19NS	Blue Button Index, Press-in
8	000925-45	Lab Handle Screw
9	002521-45NS	4-Arm Handle (New Style)
10	000939-45	Escutcheon, Set Screw
11	EB-2322	High Flow Extended Spray Valve, Blue
12	011454-45	Spray Valve Handle - Blue
13	019652-40	3/8" NPT Live Swivel
14	B-7242-10	50' Coated Open Hose Reel w/ High Flow Extended Spray Valve
15	019191-45K	Hose Reel Mounting Kit
16	G019430-45	EasyInstall Hose Reel Stainless Steel Swing Bracket



**Product Specifications:**

Epoxy Coated Hose Reel w/ 50' Hose, High Flow Extended Spray Valve w/ Swivel, EasyInstall SS Recessed Hose Reel Cabinet w/ Mixing & Control Valve, 4-Arm Handles, Quarter-Turn Ceramas w/ Check Valves, Dual Check Valves, Inlets for Bottom Supplies, 100 Deg EasyInstall Stainless Steel Swing Bracket w/ Mounting Hardware & Hose Reel Connector Kit

**Product Compliance:**

NSF 61 Exempt (Non-Potable)  
ASSE 1056 (VB)  
2019 DOE PRSV Non-Compliant