

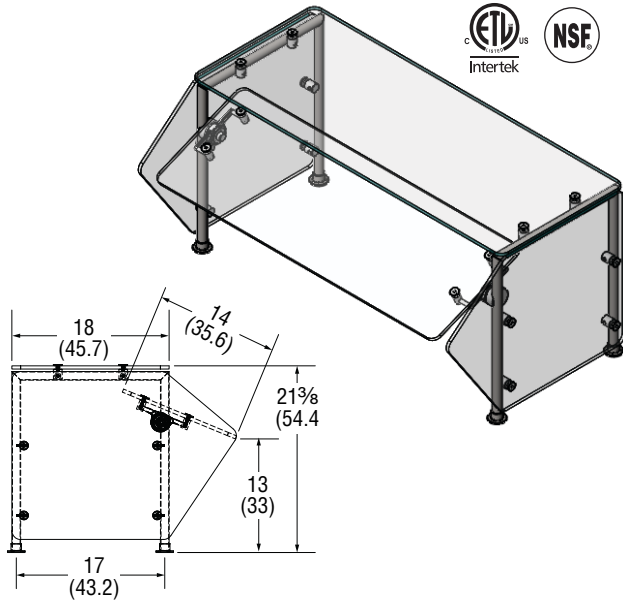


Project:

Item Number:

Quantity:

6-Series Velocity Adjustable Single-Sided Breath Guards



DESCRIPTION

Vollrath's family of Velocity Adjustable Breath Guards includes models to fit over Vollrath 4-Series/Signature Server® Serving Systems and standard drop-ins, as well as options to customize a breath guard to fit any application.

STANDARD FEATURES (SEE BACK FOR SPECS)

- 3/8" tempered glass panel is easily adjusted by one person, saving time and labor
- Locks into eight different positions to accommodate full-serve, self-serve and cleaning situations
- Eight-position mechanism allows for consistent spacing and appearance across units and serving lines
- Visual indicator when breath guard is locked in NSF position eliminates the need for measuring
- 11-gauge stainless steel tubing for added durability and rigidity
- Uprights are constructed of 100 percent stainless steel, so there are no plastic parts to break
- Counter mount flange welded to upright legs
- Welded miters and joints for added stability
- Top glass on breath guards up 96" long spans entire length without a center countertop mount location.
- Heat and light strips require hardwiring. Supplied with minimum 60" long leads.
- Made in the USA

CUSTOMIZE YOUR BREATH GUARD

Vollrath offers options to customize a breath guard to fit almost any application. To customize your breath guard enter data about your project and select from the options below. Contact your Vollrath representative for customizations not listed below.

Note: Customer orders require sign off on drawings prior to production. Drawings will be started at the time of order.

Overall Length

Number of End Frames Mounted To/Through the Center

End Panel Locations (Choose One)

- None
- Customer Right and Left (Standard)
- Customer Right
- Customer Left

Lighting and Heat (Choose One)

- None (Standard)
- LED Lighting
- Heat Strip
- Heat Strip with LED Lighting

Installation Requirements

Countertop Type and Thickness

Cabinet Construction

Approvals

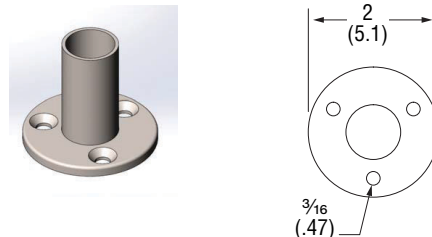
Date

--	--

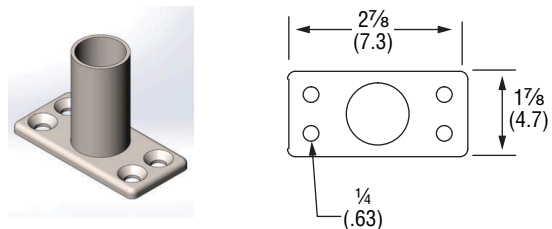
Mounting Options (Choose One)

Note: Some mounting options may not be available on some counter and substrate combinations

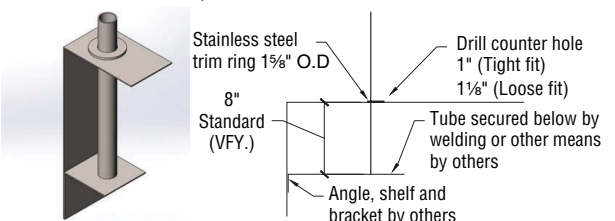
- Above the Countertop Flange Mount (Standard)



- Above the Countertop Narrow Flange Mount



- Below the Countertop Mount



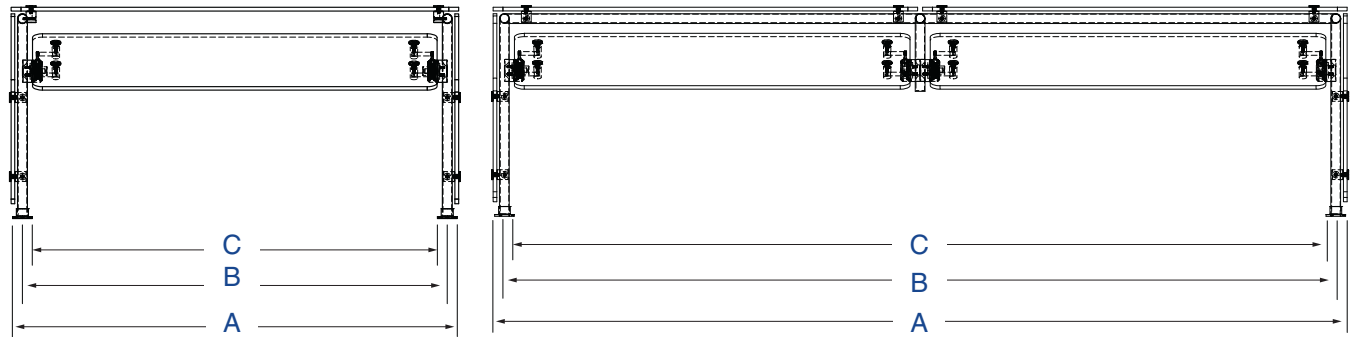
- Additional Below Counter Mount Options Available. Contact Vollrath.

Due to continued product improvement, please consult www.vollrath.com for current product specifications.

6-Series Velocity Adjustable Single-Sided Breath Guards

DIMENSIONS (Shown in inches (cm))

Front Views



Two, Three and Four Pans/Wells

Five and Six Pans/Wells

Item No.	For Use Over	Pans or Wells	Center Support	Width			Mounting Type
				(A) Overall	(B) Center to Center	(C) Inside to Inside	
<input type="checkbox"/> SS-6BG-021S	4-Series/ Signature Server	2	No	31 (78.7)	29 (73.6)	27 (68.6)	Above the Countertop Flange
<input type="checkbox"/> SS-6BG-031S	4-Series/ Signature Server	3	No	45 (114.3)	43 (109.2)	41 (104.1)	
<input type="checkbox"/> SS-6BG-041S	4-Series/ Signature Server	4	No	59 (149.9)	57 (144.8)	55 (139.7)	
<input type="checkbox"/> SS-6BG-051S	4-Series/ Signature Server	5	Yes	73 (185.4)	71 (180.3)	69 (175.3)	
<input type="checkbox"/> SS-6BG-061S	4-Series/ Signature Server	6	Yes	87 (221.0)	85 (215.9)	83 (210.8)	
<input type="checkbox"/> FC-6BG-021S	Drop-ins	2	No	34½ (87.6)	32½ (82.6)	30½ (77.5)	Above the Countertop Flange
<input type="checkbox"/> FC-6BG-031S	Drop-ins	3	No	47 (119.4)	45 (114.3)	43 (109.2)	
<input type="checkbox"/> FC-6BG-041S	Drop-ins	4	No	60¼ (153.0)	58¼ (147.9)	56¼ (142.9)	
<input type="checkbox"/> FC-6BG-051S	Drop-ins	5	Yes	73½ (186.7)	71½ (181.6)	69½ (176.5)	
<input type="checkbox"/> FC-6BG-061S	Drop-ins	6	Yes	86¾ (220.3)	84¾ (215.3)	82¾ (210.2)	

HEAT AND LIGHT STRIP SPECIFICATIONS

To order a breath guard with a heat strip, light strip or heat strip with lights, add the suffix shown in the table below to item numbers listed above.

Component	Length	Voltage	Watts	Amps	Hz	Component	Length	Voltage	Watts	Amps	Hz
Heatstrip Add suffix -HS	Two-Well/Pan	120	550	4.6	60	Heatstrip with LED Lighting Add suffix -HSL	Two-Well/Pan	120	560	4.7	60
	Three-Well/Pan		825	6.9			Three-Well/Pan		840	7.0	
	Four-Well/Pan		1100	9.2			Four-Well/Pan		1120	9.3	
	Five-Well/Pan		1380	11.5			Five-Well/Pan		1400	11.7	
	Six-Well/Pan		1660	13.8			Six-Well/Pan		1685	14.0	
	LED Strip Add suffix -LED		Two-Well/Pan	120			10		0.1	60	
Three-Well/Pan	15	0.1									
Four-Well/Pan	15	0.1									
Five-Well/Pan	20	0.2									
Six-Well/Pan	25	0.2									

