



SOILED TRAY CONVEYOR ACCESSORIES

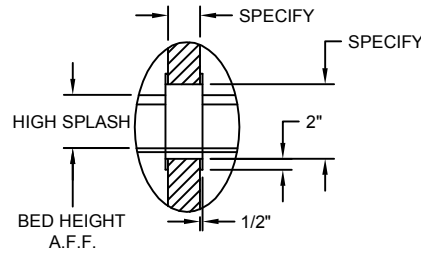


Optional Accessories:

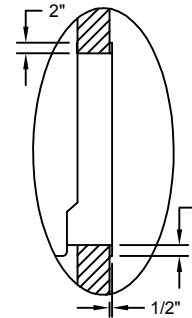
 D-D Pass Windows

Window buck to be constructed of 14 gauge stainless steel flanged out 1/2" x 2" on both sides of the wall, forming continuous frame. Corners to be completely closed, welded and polished to a uniform finish.

(When door is required for security or for other reason, continue specifications)



TYPICAL SECTION OF
CONVEYOR GOING
THROUGH WINDOW
BUCK

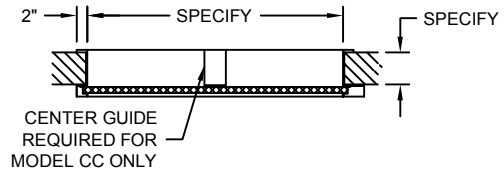


TYPICAL SECTION OF
TRAY-DROP WINDOW
BUCK AND SILL MODEL DD
WITHOUT SLIDE-UP DOOR

 Slide-Up Door

Slide-Up door to be of double wall 18 gauge stainless steel and sound deadened. Size as detailed on plan. Door guides of 16 gauge stainless steel and of sufficient height so door will completely clear the buck opening when in the raised position. Door guides of one-piece construction with guide slots for sliding door. Top of guides to be furnished with concealed, self-lubricating noiseless pulley assemblies. Door to be suspended from 1/8" thick aircraft cables with suitable counterweights, designed for noiseless operation. Tops of door guides to be fully enclosed. Space between door guides above window opening to be provided with 20 gauge stainless steel panel mounted flush with front of guides to conceal door when in open position. Door to be provided with handle and latch or key.

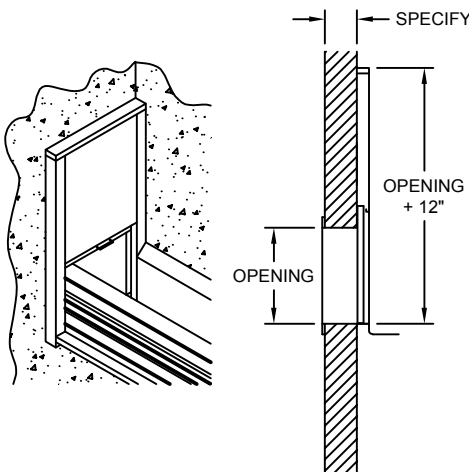
(Continue specifications by selecting door style)



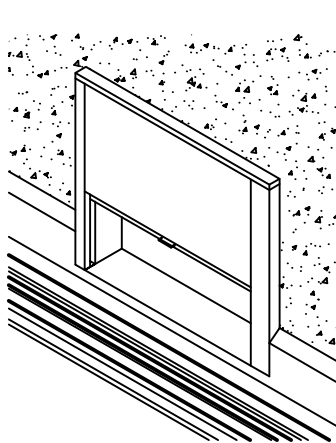
TYPICAL PLAN VIEW OF
TRAY-DROP WITH SLIDE-UP
DOOR MODEL BB AND CC

 Model A-A

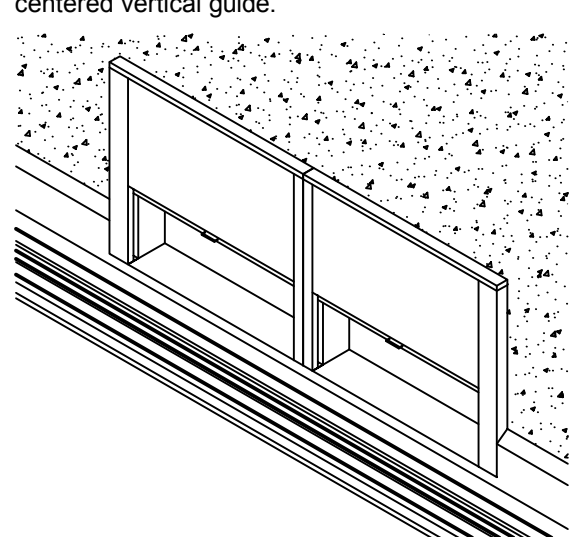
Direct entry type. Single door


 Model B-B

Side entry type. Single door


 Model C-C

Side entry type. Double door with 4" wide centered vertical guide.


 Fire Door

Door to be 1 1/2 hour. Class "B" with U.L. label



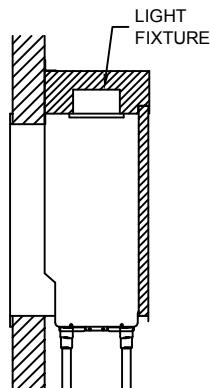
SOILED TRAY CONVEYOR ACCESSORIES



Optional Accessories Continue:

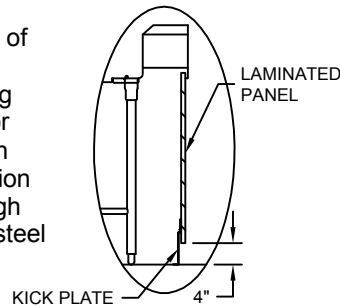
Sight and Sound Baffle

Baffle to extend 2" above top of window opening with full enclosure at both ends, top and rear. End enclosure next to dish room to end 12" above the conveyor bed. The entire sight and sound baffle to be of double wall 18 gauge stainless steel construction with sound deadening filler throughout. Rear of sight and sound baffle to be fitted with double wall removable access panel. The top to have a light fixture.



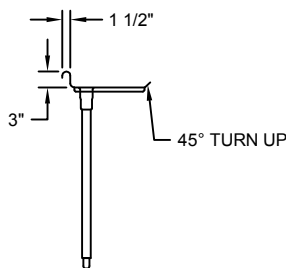
Full Height Skirting

Skirting at tray drop to consist of removable 3/4" thick plywood panels with waterproof backing and plastic lamination (color or pattern to be selected later) on front and all edges. This section of conveyor to be set on 6" high recessed 14 gauge stainless steel toe base.



Soiled Dishtable

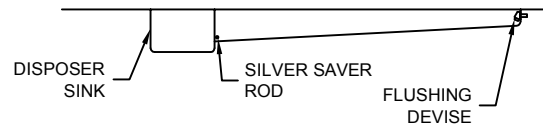
Table to be provided. Table and conveyor bed to be coordinated as one entire homogeneous unit to reduce field welding. Dishtable to be constructed of 14 gauge stainless steel with all exposed edges finished in a 3" high curbing with 1 1/2" diameter 180 degree rolled rim with corners bullnosed. All corners to be rounded horizontally and vertically forming a cove at intersection. Joints to be continuously welded, ground and polished to a #4 finish to appear as one continuous surface free of buckles and weld marks. Next to conveyor bed, the table surface is to be sloped up at a 45 degree angle. Top to be cross braced with 14 gauge stainless steel channel stiffeners welded to the underside. Cross stiffeners to be at leg assembly stations on approximately 5'-0" centers. Legs to be constructed as specified for the conveyor with cross bracing as required to provide a rigid assembly.



Scrapping Trough

Trough to be made of the same material as adjoining dishtable and constructed integrally with the same. Trough bottom to be pitched to a disposal unit and to have corners coved to a 3/4" radius. Where the trough intersects disposer sink, it is to be continuously welded. Weld to be ground smooth and polished to a uniform finish. Trough bottom to be provided with water flushing devices to simplify flushing of entire trough bottom. The disposer sink station to be as

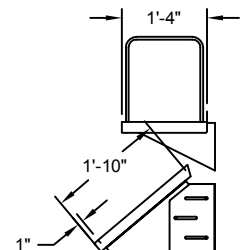
dimensioned on drawing. Sink made of 14 gauge stainless steel with all corners coved. Seam between sink and top to be continuously welded. Where trough meets disposer sink station it is to be fitted with a silver saver barrier consisting of a stainless steel horizontal rod properly spaced to prevent silverware from entering the disposer. (Disposer adapter ring furnished by manufacture of the disposer.) Seam between disposer and adapter ring and sink bottom to be continuously welded, ground smooth and polished.



Double Overhead Racking and Storage Shelves

Sloped lower racking shelf to be constructed of 14 gauge stainless steel with shelf surface measuring 22" in width and sloped up toward rear at a 40 degree angle. Shelf to have 2" high curbing at front. The rim of front curbing to have 1" wide channel facing rear to provide space inside for liquid accumulation. Rear and ends of shelf to have 2" high vertical risers. Lower edge of shelf to have drain holes. Shelf to be attached to 12 gauge stainless steel cantilever brackets. Brackets to consist of a triangular shaped plate and a stainless steel angle welded to the underside of shelf. Plates and angles to have rows of conforming slots to permit front to back adjustment of shelf. Each bracket to be provided with two stainless steel truss head bolts and stainless steel nuts.

A 16" wide adjustable, flat upper shelf is also to be provided for storage of empty dishwasher racks. Shelf to have turned down channel edge at front and 2" high riser at rear. Both ends to be fitted with 16" high "U" shaped rack supports made of 3/8" diameter stainless steel rod.





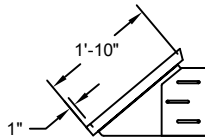
SOILED TRAY CONVEYOR ACCESSORIES



Optional Accessories Continue:

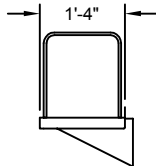
Single Overhead Racking Shelf

Sloped racking shelf to be constructed of 14 gauge stainless steel with shelf surface measuring 22" in width and sloped up toward rear at a 40 degree angle. Shelf to have 2" high curbing at front. The rim of front curbing to have 1" wide channel facing rear to provide space inside for liquid accumulation. Rear and ends of shelf to have 2" high vertical risers. Lower edge of shelf to have drain holes. Shelf to be attached to 12 gauge stainless steel cantilever brackets. Brackets to consist of a triangular shaped plate and a stainless steel angle welded to the underside of shelf. Plates and angles to have rows of conforming slots to permit front to back adjustment of shelf. Each bracket to be provided with two stainless steel truss head bolts and stainless steel cap nuts.



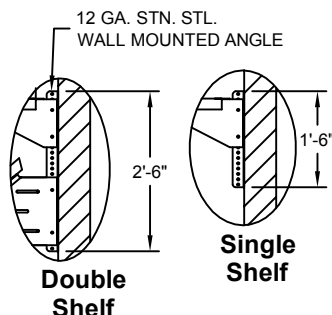
Single Overhead Storage Shelf

Flat storage shelf to be constructed of 14 gauge stainless steel with shelf surface measuring 16" wide. Shelf to have turned down channel edge at front and 2" high riser at rear. Both ends to be fitted with 16" high "U" shaped rack supports made of 3/8" diameter stainless steel rod. Shelf to be attached to 12 gauge stainless steel cantilever brackets. Brackets to be welded to the underside of shelf. Plates and angles to have rows of conforming slots to permit front to back adjustment of shelf. Each bracket to be provided with two stainless steel truss head bolts and stainless steel nuts.



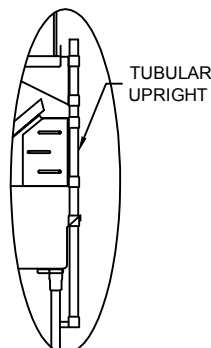
Wall Mounted Shelf(s)

Shelf to be supported by 1 1/2" x 1 1/2" x 1/8" thick stainless steel angles. Angles to measure 18" long for single shelf and 30" long for double shelves. One leg of each angle which protrudes from wall and to which shelf bracket is attached to be provided with a row of bolt holes over full length of the angle and spaced 1" apart to facilitate vertical adjustment of shelf. Bracket to be fastened to angles with stainless steel bolts and nuts.



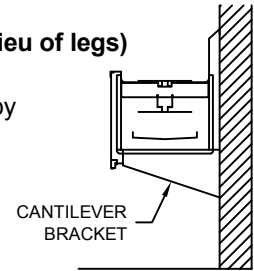
Tubular Mounted Shelf(s)

Shelf to be supported by 1 5/8" O.D. stainless steel tubular uprights which are integrally attached to the leg assembly. Uprights to be fitted with stainless steel sleeves to which shelf brackets are welded. Sleeves to have set screws to facilitate vertical adjustment of shelf.



Cantilever Wall Supports (in lieu of legs)

Brackets to be 12 gauge polished stainless steel spaced as required by application. (6'-0" maximum)



Time Delay Limit Switch

Electronic, receiver-transmitter photo electric cell type switch assembly installed and located on the conveyor bed to operate as a monitor for trays passing on the conveyor belts at a predetermined location. Conveyor belts stop when a tray sits for a predetermined amount of time in front of the eye, and restart when the tray is removed. Switch to be activated by tray passing through eye's beam. Control to be integrally wired into main circuitry of conveyor drive mechanism eliminating additional wiring work on the part of the electrical contractor making final connection to the conveyor system.

End Limit Switch

Electronic, receiver-transmitter photo electric cell type switch assembly installed and located on the conveyor bed to operate as a monitor for trays passing on the conveyor belts at a predetermined location. Conveyor belts stop when a tray breaks the light beam, and restart when the tray is removed. Switch to be activated by tray passing through eye's beam. Control to be integrally wired into main circuitry of conveyor drive mechanism eliminating additional wiring work on the part of the electrical contractor making final connection to the conveyor system.

Accumulation Feature

Trays to electronically transfer from traydrop conveyor to accumulation conveyor and accumulate the entire length of the accumulation conveyor. At this point a remote audio-visual indicator will advise that the system is full and ready for scrapping.



SOILED TRAY CONVEYOR ACCESSORIES

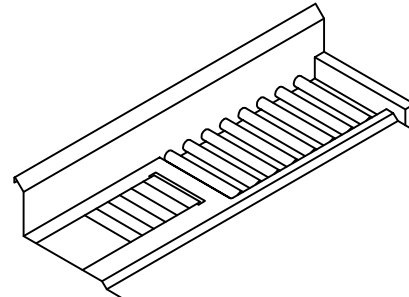


Optional Accessories Continue:

Idler Roller Accumulator

Roller pan to be the same width as the adjacent conveyor bed. Bed of idler roller section to be depressed 2" with the bottom pitched to a 1 1/2" drain. Rollers to be spaced on approximately 4" centers.

(Continue specifications by selecting stationary or drop-in model)



Stationary Rollers

Rollers to be mounted directly into vertical surfaces of roller pan through .328" diameter holes.

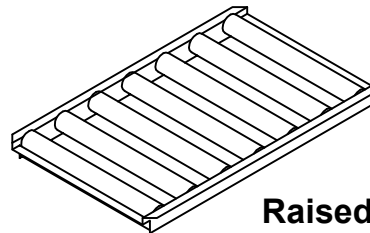
(Continue specifications by selecting stainless steel or plastic rollers)

R-35-S - Stainless Steel Rollers

1.9" O.D. roller consists of non-corrosive N.S.F. style bearings, stainless steel tube, nylon stub shafts, and stainless steel screws. Rollers to be removable only with use of tools.

R-40-P - Plastic Rollers

1.9" O.D. roller consists of non-corrosive N.S.F. style bearings, P.V.C. tube, nylon stub shafts, and stainless steel screws. Rollers to be removable only with use of tools.

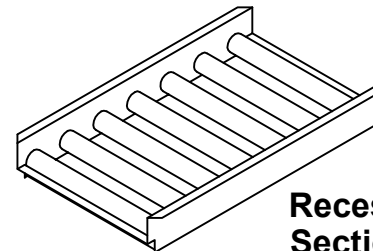


**Raised Roller
Section**

Drop-In Roller Sections

Drop-in roller section to consist of removable section approximate 30" long. Rollers to be set in an angle frame of 12 gauge stainless steel through .328" diameter holes.

(Continue specifications by selecting raised rollers or recessed rollers)



**Recessed Roller
Section**

Raised Roller Sections

Top of roller to be 1/4" above top of drop-in roller frame.

(Continue specifications by selecting stainless steel or plastic rollers)

RA-28-S - stainless steel rollers (R-35-S) spaced on approximately 4" centers

RA-30-S - stainless steel rollers (R-35-S) spaced on approximately 6" centers

RA-29-P - plastic rollers (R-40-P) spaced on approximately 4" centers

RA-31-P - plastic rollers (R-40-P) spaced on approximately 6" centers

Recessed Roller Sections

Top of roller to be 7/8" below top of drop-in roller frame.

(Continue specifications by selecting stainless steel or plastic rollers)

RA-32-S - stainless steel rollers (R-35-S) spaced on approximately 4" centers

RA-34-S - stainless steel rollers (R-35-S) spaced on approximately 6" centers

RA-33-P - plastic rollers (R-40-S) spaced on approximately 4" centers

RA-35-P - plastic rollers (R-40-P) spaced on approximately 6" centers

(Indicate in specification the overall length and width of each section required)



SOILED TRAY CONVEYOR ACCESSORIES



ITEM NO:

PROJECT:

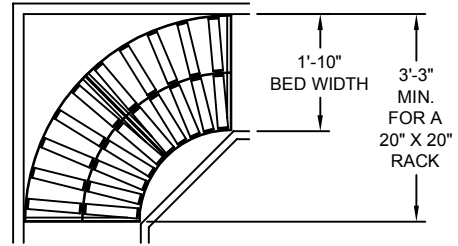
LOCATION:

Optional Accessories Continue:

Curved Roller Sections

Curved roller section to consist of removable radius section forming an angle of approximately 45°. Rollers to be set in a frame of 12 gauge stainless steel flat bar with 12 gauge stainless steel angle crossbars at both ends and 12 gauge stainless steel flat bar at intermediate location. Rollers to be set in frame through .328" diameter holes.

(Continue specifications by selecting stainless steel or plastic rollers)



RA-36-S - stainless steel rollers (R-35-S) spaced on approximately 4" centers

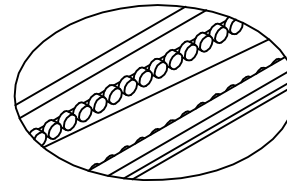
RA-37-P - plastic rollers (R-40-P) spaced on approximately 4" centers

Stationary Skatewheels (plastic only)

1.9" O.D. plastic skatewheel with stainless steel sleeves and ball bearings

S-50 Skatewheel
1.9" O.D. skatewheel

S-51 Skatewheel with mounting stud
Skatewheel with stainless steel mounting stud and lock nut.



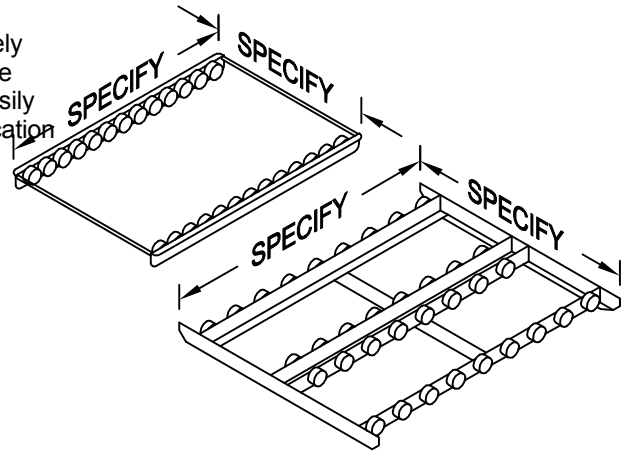
Drop-In Skatewheel Sections

Skatewheel accumulator to consist of removable section approximately ___" long. Skatewheel to be set in an angle frame of 16 and 14 gauge stainless steel. All skatewheels to be approximately 1.9" O.D. and easily replaceable. Overall height of frame to be 2 5/16". (Include in specification overall length and width of sections).

(Continue specifications by selecting raised rollers or recessed rollers)

SA-45-P Section
Two rows of stainless ball bearing plastic skatewheels with stainless steel sleeves on approximately 2 1/4" centers.

SA-48-P Section
Four rows of stainless ball bearing plastic skatewheels with stainless steel sleeves on approximately 4 1/2" centers.



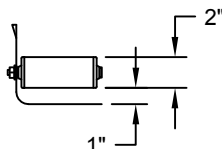
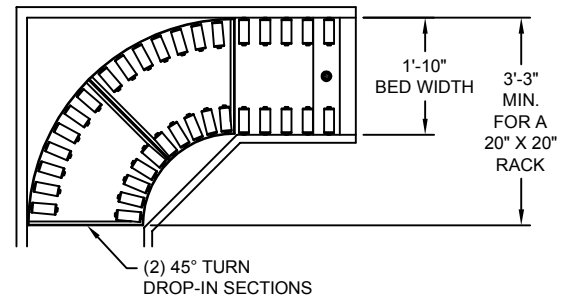
Mini Rollers

Mini rollers to be installed on both curbing of dishtable approximately 1" clear of the dishtable, all approximately on 4" centers. Rollers to be 1.9" O.D. x 5" long with solid 1/2" stainless steel shaft, reduced to 5/16" thread at mounting end. Roller complete with two 12 gauge stainless steel mounting support washers and stainless steel lock nut. Bearings at both ends of roller to be non-corrosive.

(Continue specifications by selecting stainless steel or plastic roller)

MR-14-S with Stainless Steel Rollers

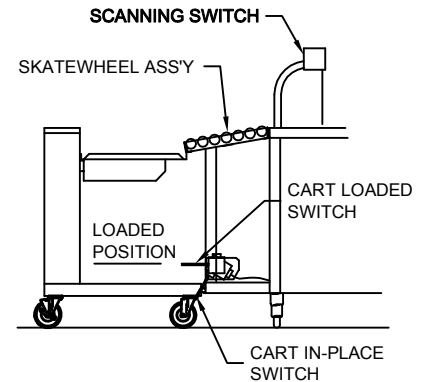
MR-20-P with Noiseless Plastic Rollers



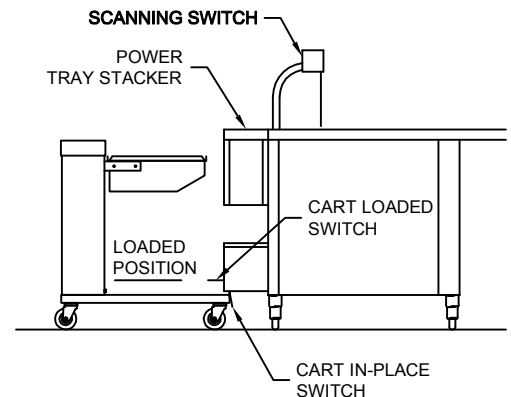
Punch 5/16" diameter hole. Set roller with #12 gauge stainless steel mounting washer on EACH side of dishtable curbing... and fasten with stainless steel lock nut.

**SOILED TRAY CONVEYOR
ACCESSORIES****Optional Accessories Continue:** **Gravity Tray Stacker**

Tray stacker to be installed at discharge end of conveyor. Tray stacker bed to be of 14 gauge stainless steel, type 304 seamlessly formed, welded, ground and polished to match the finish of the conveyor. Removable 14 gauge stainless steel inset angle frame to have two rows of skatewheels with stainless steel ball bearings mounted on 2" centers. Width of tray stacker to accommodate 14" to 15" wide trays. Discharge end of the conveyor to be fitted with suitable guide clips to secure a tray stacker cart in proper loading position. Tray stacker to include a scanning switch at the end of the belt to allow only empty trays to pass and two monitoring, independently operating limit switches. One switch to close circuit to conveyor power drive when a tray stacker cart is in the proper stacking position and open circuit when cart is removed. Second switch to stop conveyor when stacking cart has been loaded to maximum capacity. All switches to be interwired to the conveyor drive so that only one final electrical connection is required in the field.

 **Powered Tray Stacker**

Tray stacker to be 8" long and installed at discharge end of conveyor. Tray stacker bed to be of 14 gauge stainless steel, type 304 seamlessly formed, welded, ground and polished to match the finish of the conveyor. Stacker to have two plastic powered rollers geared to accelerate tray discharge. Rollers to be ball bearing type. Housing to have removable stainless steel access panel and clearance under rollers for easy cleaning and to be powered by a fractional horsepower motor with concealed drive. Motor to be interwired with drive motor of conveyor, with by-pass switch to allow deactivation of tray stacker. Tray stacker to accommodate 14" or 15" wide trays. Discharge end of the conveyor to be fitted with suitable guide clips to secure a tray stacker cart in proper loading position. Tray stacker to include a scanning switch at the end of the belt to allow only empty trays to pass and two monitoring, independently operating limit switches. One switch to close circuit to conveyor power drive when a tray stacker cart is in the proper stacking position and open circuit when cart is removed. Second switch to stop conveyor when stacking cart has been loaded to maximum capacity. All switches to be interwired to the conveyor drive so that only one final electrical connection is required in the field.

**Tray Stacker Optional Features** **Automatic Stacking Limit Switches**

Tray stacker (power or gravity model) to be fitted with two monitoring, independently operating limit switches. One switch to close circuit to conveyor power drive when tray stacker truck is in proper stacking position and open circuit when truck is removed. Second switch to stop conveyor when Caddymagic stacking truck has been loaded to maximum capacity. Both switches to be interwired to conveyor drive so that only one final electrical connection is required in the field.

 By-Pass Limit Switch

Switch to de-activate automatic stacking limit switches.



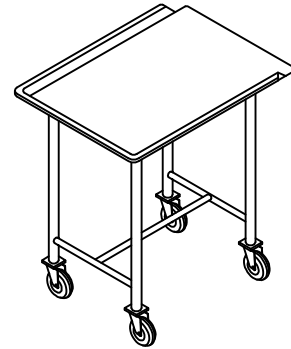
SOILED TRAY CONVEYOR ACCESSORIES



Optional Accessories Continue:

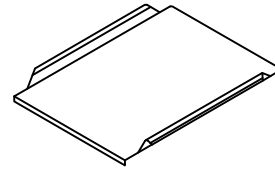
Mobile Bridge

Mobile bridge to be constructed of 14 gauge stainless steel type 304 seamlessly formed, welded, ground and polished to match the finish of the conveyor. Size to be as required. Three sides of bridge to have 1 1/2" diameter 180 degree rolled rims. Fourth side to be turned down over raised edge of scrapping trough. Bridge to be supported by 1 5/8" O.D. stainless steel legs with 1" O.D. stainless steel "H" railing completely welded and finished, and provided with 5" diameter casters with polyurethane tires and foot brakes. Stainless steel leg sleeves with set screws to facilitate vertical adjustment to be welded to underside of bridge.



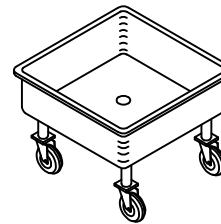
Removable Bridge

Removable bridge to be constructed of 14 gauge stainless steel type 304 seamlessly formed, welded, ground and polished to match the finish of the conveyor. Size to be as required. Two sides of bridge to have 1 1/2" diameter 180 degree rolled rims. Ends to be turned down over both supporting edges.



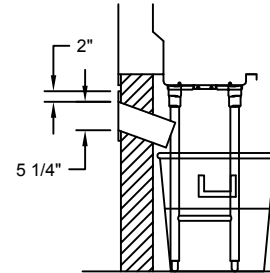
T-101 Silver Soak Sink

Sink to be 22" x 22" x 8" deep inside, constructed of 14 gauge stainless steel, with all interior corners coved and provided with 1 1/2" diameter 180 degree rolled rims on four sides ending in bullnosed corners. Sink bottom to be creased to a 1 1/2" twist handle waste outlet set into recessed die-stamped opening. Sink to have 10" legs made of 1 5/8" O.D. stainless steel tubing welded to be underside of the sink and furnished with 5" diameter casters with polyurethane tires and foot brakes.



Recycling Chute

Chute to be constructed of 14 gauge stainless steel flanged out 2" on the dining room side of the wall, forming continuous frame. Corners to be completely closed, welded and polished to a uniform finish.

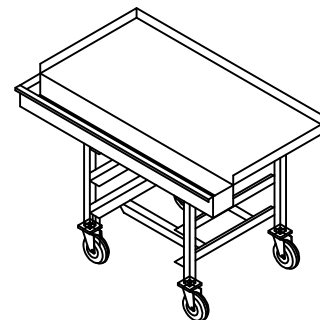


NEMA 4X Electrical Enclosure

Enclosure to be stainless steel in lieu of standard NEMA epoxy painted steel.

T-239 Silver Sorting Caddy

Silver sorting caddy to be 42" long x 26 1/2" wide x 35 7/8" high to table surface. Top of 14 gauge stainless steel turned up 2" on three sides with corners welded. Attendant's side of the table to have integrally constructed through 4" deep x 4 1/4" wide to receive cutlery containers. Front of the trough to have a channel rim. Legs of 1 1/4" square stainless steel tubing, with three set of #14 gauge stainless steel angles spaced on 6" centers to receive 20" x 20" silver racks. The unit to be provided with 5" polyurethane tires, two with foot brakes.



MODEL T-239

T-305 Bulk Silver Caddy

See Bulk Silver Caddy cutsheet for specifications

T-402 Tray & Silver Caddy

See Tray & Silver Caddy cutsheet for specifications

T-407 Bulk Silver Caddy

See Bulk Silver Caddy cutsheet for specifications

T-301 Tray & Silver Caddy

See Tray & Silver Caddy cutsheet for specifications