

Project: _____

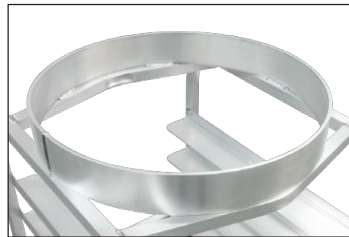
Item: _____

Quantity: _____

Mixing Bowl/Pan Rack Dolly

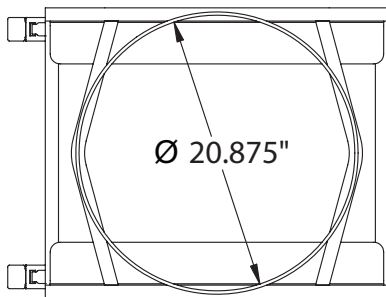


51949



Mixing Bowl Dolly designed to hold a 30-quart mixing bowl at working weight and allow for storage of standard, full-size sheet pans underneath.

- Accommodates a 30-quart mixing bowl as well as standard 18" x 26 sheet pans
- Framework constructed of 1" x 1" x .070" wall tubing.
- Ring is constructed out of 1/4" x 3" strap.
- Guides constructed of 1 1/4" x 3 1/4" angle .
- Equipped with four 5" stem type swivel casters.
- Five-Year Guarantee against material defects and workmanship.
- Lifetime Guarantee against rust and corrosion.

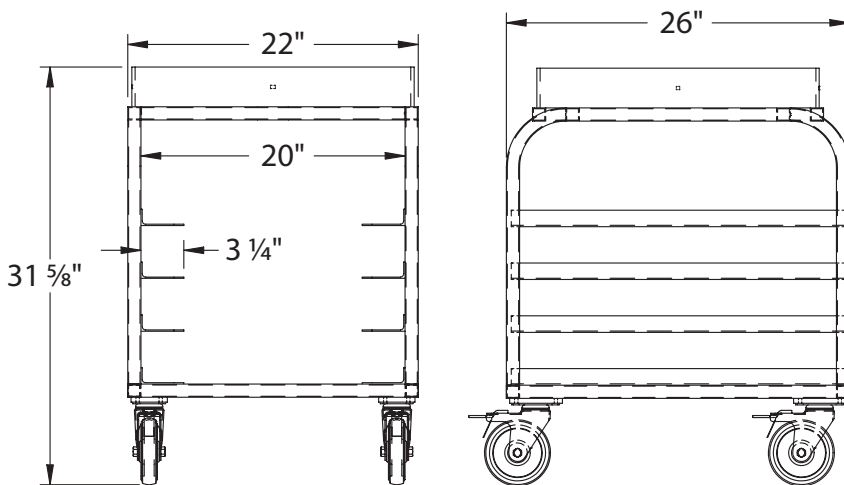


► Mixing Bowl/Pan Rack Dolly

Model No.	Size W-H-D	Ring Diameter	Quart Size	Runner Spacing	Pan Capacity	Ship Lbs.
51949	22" x 31 5/8" x 26"	20.875" I.D.	30	4"	4	35

Four 5" plate type, total lock swivel casters.

Accommodates 30QT mixing bowl and 18" x 26" sheet pans, not included.



New Age Industrial Corp., Inc. || NewAgeIndustrial.com || Made in the USA

PO Box 520 • 16788 US Hwy 36 • Norton, Kansas 67654 || Phone: (800) 255-0104 • (785) 877-5121 || Fax: (877)-877-7687 • (785) 877-2616

This information is for general sales and engineering use only. New Age Industrial reserves the right to modify or make changes at any time, without notice, to materials and specifications.