



Profit from the Eagle Advantage®

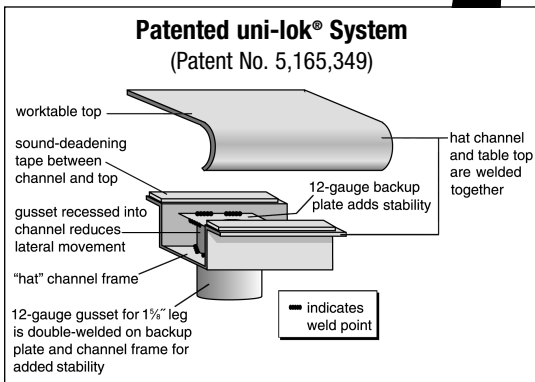
# Specification Sheet

## Short Form Specifications

Eagle worktables, Deluxe series, model \_\_\_\_\_.  
 Top constructed of 16 gauge 300 series stainless steel with 1½" roll on front, 4½" backplash, and sides turned down 90°. Undershef is adjustable and constructed of heavy gauge galvanized steel. Top reinforced with welded hat channels, and sound deadened. Constructed with uni-lok® patented gusset system with the gussets recessed into the hat channels to reduce lateral movement. Legs are 1½" O.D. galvanized tubing, with galvanized gussets and 1" hi-impact plastic bullet feet.



worktable with backplash and undershef



**EAGLE GROUP**  
 100 Industrial Boulevard, Clayton, DE 19938-8903 USA  
 Phone: 302-653-3000 • 800-441-8440 • Fax: 302-653-2065  
[www.eaglegrp.com](http://www.eaglegrp.com)  
[www.eaglegrpnews.com](http://www.eaglegrpnews.com)  
[www.eaglemhc.com](http://www.eaglemhc.com)

For custom configuration or fabrication needs, contact our **SpecFAB® Division**.  
 Phone: 302-653-3000 • Fax: 302-653-2065 • e-mail: [quotes@eaglegrp.com](mailto:quotes@eaglegrp.com)

Item No.: \_\_\_\_\_  
 Project No.: \_\_\_\_\_  
 S.I.S. No.: \_\_\_\_\_

## Worktables with Backsplash and Galvanized Base with Undershef —Deluxe Series

### MODELS:

- |                                     |                                      |                                      |                                      |
|-------------------------------------|--------------------------------------|--------------------------------------|--------------------------------------|
| <input type="checkbox"/> T2424EB-BS | <input type="checkbox"/> T24108EB-BS | <input type="checkbox"/> T3072EB-BS  | <input type="checkbox"/> T3660EB-BS  |
| <input type="checkbox"/> T2430EB-BS | <input type="checkbox"/> T24120EB-BS | <input type="checkbox"/> T3084EB-BS  | <input type="checkbox"/> T3672EB-BS  |
| <input type="checkbox"/> T2436EB-BS | <input type="checkbox"/> T24132EB-BS | <input type="checkbox"/> T3096EB-BS  | <input type="checkbox"/> T3684EB-BS  |
| <input type="checkbox"/> T2448EB-BS | <input type="checkbox"/> T24144EB-BS | <input type="checkbox"/> T30108EB-BS | <input type="checkbox"/> T3696EB-BS  |
| <input type="checkbox"/> T2460EB-BS | <input type="checkbox"/> T3030EB-BS  | <input type="checkbox"/> T30120EB-BS | <input type="checkbox"/> T36108EB-BS |
| <input type="checkbox"/> T2472EB-BS | <input type="checkbox"/> T3036EB-BS  | <input type="checkbox"/> T30132EB-BS | <input type="checkbox"/> T36120EB-BS |
| <input type="checkbox"/> T2484EB-BS | <input type="checkbox"/> T3048EB-BS  | <input type="checkbox"/> T30144EB-BS | <input type="checkbox"/> T36132EB-BS |
| <input type="checkbox"/> T2496EB-BS | <input type="checkbox"/> T3060EB-BS  | <input type="checkbox"/> T3648EB-BS  | <input type="checkbox"/> T36144EB-BS |

### Tabletop

- Patented uni-lok® gusset system (patent #5,165,349): gussets are recessed into hat channel, reducing lateral movement.
- Top reinforced with welded-on hat channel.
- Sound-deadened between top and channels.
- 4½" (114mm)-high 90° backplash with 1" (25mm) turn at 90°.
- 1½" (38mm)-diameter 180° rolled edge on front. Ends are turned down 90°, providing for flush installations when required.
- 16 gauge 300 series polished stainless steel.

### Adjustable Undershef

- Heavy gauge, galvanized.
- Gusset welded to each corner.

### Legs—1½" (41mm)-diameter

- Tables 96" (2438mm) and longer come with six legs or more.
- Heavy gauge galvanized steel.
- 1" (25mm) adjustable hi-impact plastic feet.

### Options / Accessories

- |  |  |
|--|--|
| <input type="checkbox"/> Drawer                              | <input type="checkbox"/> Duplex receptacles                            |
| <input type="checkbox"/> Lock                                | <input type="checkbox"/> Pot rack                                      |
| <input type="checkbox"/> Casters                             | <input type="checkbox"/> Sink  |
| <input type="checkbox"/> Stainless steel bullet feet         | <input type="checkbox"/> Additional undershef                          |
| <input type="checkbox"/> Overshelves                         | <input type="checkbox"/> Stabilizer Bar (for 30"- and 36"-wide tables) |
| <input type="checkbox"/> Power strip (for material handling) |  |

### Certifications / Approvals



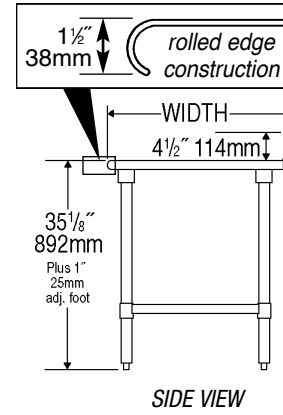
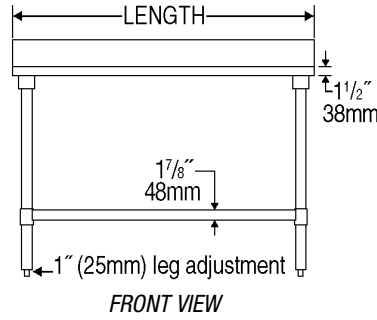
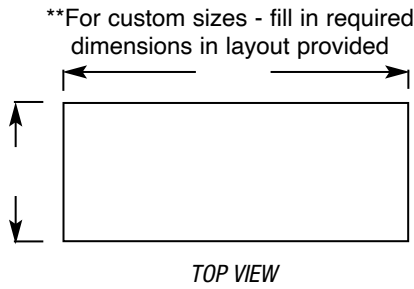
AutoQuotes





Item No.: \_\_\_\_\_  
 Project No.: \_\_\_\_\_  
 S.I.S. No.: \_\_\_\_\_

# Worktables with Backsplash and Galvanized Base with Undershef—Deluxe Series



model #	# of legs	width		length		weight	
		in.	mm	in.	mm	lbs.	kg
T2424EB-BS	4	24"	610	24"	610	44	20.0
T2430EB-BS	4	24"	610	30"	762	51	23.1
T2436EB-BS	4	24"	610	36"	914	53	24.0
T2448EB-BS	4	24"	610	48"	1219	67	30.4
T2460EB-BS	4	24"	610	60"	1524	79	35.8
T2472EB-BS	4	24"	610	72"	1829	94	42.6
T2484EB-BS	4	24"	610	84"	2134	132	59.9
T2496EB-BS	6	24"	610	96"	2438	157	71.2
T24108EB-BS	6	24"	610	108"	2743	171	77.6
T24120EB-BS	6	24"	610	120"	3048	182	82.6
T24132EB-BS	8	24"	610	132"	3353	196	88.9
T24144EB-BS	8	24"	610	144"	3658	234	106.1
T3030EB-BS	4	30"	762	30"	762	55	24.9
T3036EB-BS	4	30"	762	36"	914	62	28.1
T3048EB-BS	4	30"	762	48"	1219	77	34.9
T3060EB-BS	4	30"	762	60"	1524	105	47.6
T3072EB-BS	4	30"	762	72"	1829	121	54.9
T3084EB-BS	4	30"	762	84"	2134	138	62.6
T3096EB-BS	6	30"	762	96"	2438	169	76.7
T30108EB-BS	6	30"	762	108"	2743	184	83.5
T30120EB-BS	6	30"	762	120"	3048	205	93.0
T30132EB-BS	8	30"	762	132"	3353	215	97.5
T30144EB-BS	8	30"	762	144"	3658	257	116.6
T3648EB-BS	4	36"	914	48"	1219	84	38.1
T3660EB-BS	4	36"	914	60"	1524	109	49.4
T3672EB-BS	4	36"	914	72"	1829	129	58.1
T3684EB-BS	4	36"	914	84"	2134	183	83.0
T3696EB-BS	6	36"	914	96"	2438	203	92.1
T36108EB-BS	6	36"	914	108"	2743	209	94.8
T36120EB-BS	6	36"	914	120"	3048	211	95.7
T36132EB-BS	8	36"	914	132"	3353	234	106.1
T36144EB-BS	8	36"	914	144"	3658	302	137.0

**EAGLE GROUP**  
 100 Industrial Boulevard, Clayton, DE 19938-8903 USA  
 Phone: 302-653-3000 or 800-441-8440 • Fax: 302-653-2065  
 www.eaglegrp.com • www.eaglegrpnews.com • www.eaglehmc.com

Printed in U.S.A.  
 ©2022 by Eagle Group  
 Rev. 10/22

Spec sheets available for viewing, printing or downloading from our online literature library at our websites

Although every attempt has been made to ensure the accuracy of the information provided, we cannot be held responsible for typographical or printing errors. Information and specifications are subject to change without notice. Please confirm at time of order.