

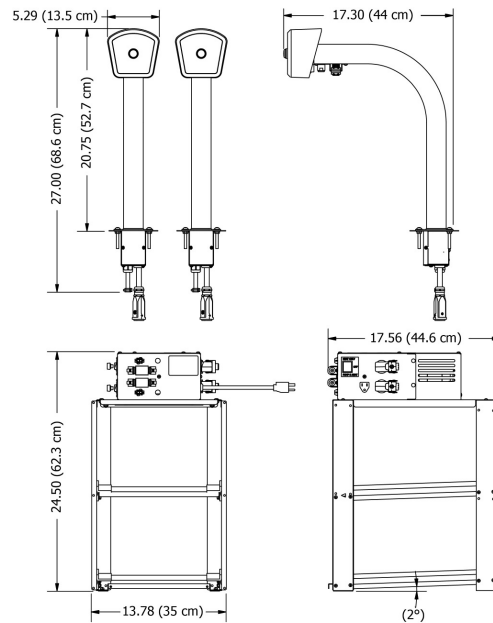


GOLD MEDAL® PRODUCTS CO.

Popcorn Topping Dispenser

Model No. 2396-00-210 and 2396-00-211

Specifications



**Model with a photo-eye shown above for general image reference.
Countertop and enclosed cabinet to be provided by customer.**

Overall Dimensions:

Width: Refer to drawing shown above.

Depth:

Height:

Power cord is attached to the rack assembly—each pedestal connects to rack with an electrical cable.

Electrical - Domestic

120V

390 WATTS 60 Hz

(NEMA 5-15P) Plug

Plug Type:



NEMA 5-15P

Agency Approvals:



Model Description:

2396-00-210 - Dual pedestal—no photo-eye, one open rack assembly.

2396-00-211 - Dual pedestal with photo-eye, one open rack assembly.

Features:

- LED Lighted Sign on Pedestals
- Forced air heating system, controls temperature of cabinet to 120-130°F.
- Heater in pedestal assures dispense temperature of 110-130°F.
- Heated line capability for each topping line (heated lines sold separately).
- Stainless steel drip tray included with unit.
- Rack holds (2) 35 lb. boxes of topping.

Options (sold separately): Heated Line Kit (2396-HL-200); ADA Remote Switch (2396-RS-200)



Gold Medal Products Co.

10700 Medallion Drive, Cincinnati, OH 45241

Ph: (513) 769-7676, (800) 543-0862; Fax: (513) 769-8500

gmpopcorn.com info@gmpopcorn.com