



GOLD MEDAL® PRODUCTS CO.

Mark 20 Corn Treat Cooker/Mixer

Model No. 2620-00-200 and 2620-00-210

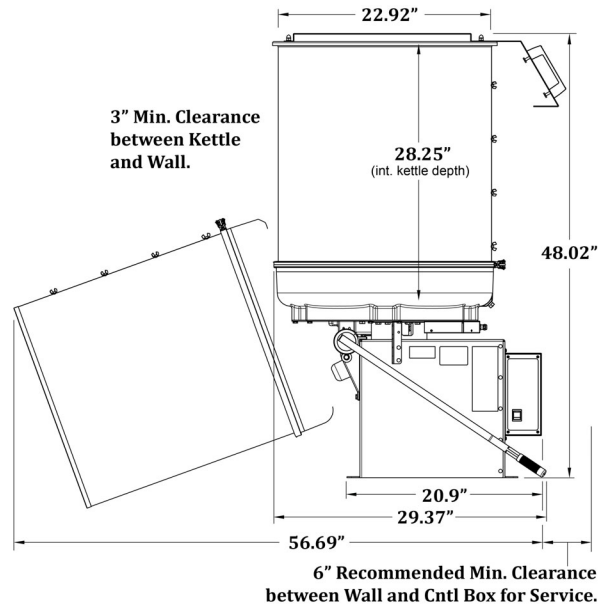
Specifications



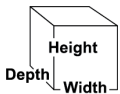
Left Hand Dump



Right Hand Dump



General RH Unit shown above for dim. reference.



Overall Dimensions:

- Width:** 29.37" (74.6 cm)
- Depth:** 24.13 (61.3 cm)
- Height:** 48.02" (122 cm)

Reference drawing shown for additional dimensions and clearances required.

Electrical - Domestic

- 240V
- 6768 WATTS 60 Hz
- (NEMA 6-50P) Plug
- Unit designed to operate on single phase, 50 AMP, 2 wire plus ground. Wall receptacle is supplied with unit.

Description:

- 2620 (200)** - Right Hand Dump
- 2620 (210)** - Left Hand Dump

Features:

- 20 Gallon Capacity (3-4 batches/hour)
- Membrane Keypad Control with 2-line digital display
- Cast Aluminum Kettle with Stainless Steel Drum

Plug Type:



NEMA 6-50P

Agency Approvals:



Gold Medal Products Co.
10700 Medallion Drive, Cincinnati, OH 45241

Ph: (513) 769-7676, (800) 543-0862; Fax: (513) 769-8500
gmpopcorn.com info@gmpopcorn.com