

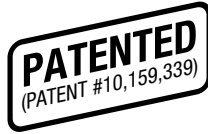


Profit from the Eagle Advantage®

# Specification Sheet

## Short Form Specifications

Eagle Q-LEVER® Workstation, model # \_\_\_\_\_.  
Available with open base or with storage shelf. Removable stainless steel tabletop with 4½"-high backsplash. Pair of 36" uprights with legs and feet. Shelves offered with Valu-Master® gray or Valu-Gard® green epoxy finish. Uprights feature Valu-Master® gray epoxy.



Item No.:	_____
Project No.:	_____
S.I.S. No.:	_____

## Q-LEVER® Workstations

### MODELS:

- |                                      |                                      |
|--------------------------------------|--------------------------------------|
| <input type="checkbox"/> Q2436*36-WO | <input type="checkbox"/> Q2436*36-WS |
| <input type="checkbox"/> Q2442*36-WO | <input type="checkbox"/> Q2442*36-WS |
| <input type="checkbox"/> Q2448*36-WO | <input type="checkbox"/> Q2448*36-WS |
| <input type="checkbox"/> Q2454*36-WO | <input type="checkbox"/> Q2454*36-WS |
| <input type="checkbox"/> Q2460*36-WO | <input type="checkbox"/> Q2460*36-WS |
| <input type="checkbox"/> Q3036*36-WO | <input type="checkbox"/> Q3036*36-WS |
| <input type="checkbox"/> Q3042*36-WO | <input type="checkbox"/> Q3042*36-WS |
| <input type="checkbox"/> Q3048*36-WO | <input type="checkbox"/> Q3048*36-WS |
| <input type="checkbox"/> Q3054*36-WO | <input type="checkbox"/> Q3054*36-WS |
| <input type="checkbox"/> Q3060*36-WO | <input type="checkbox"/> Q3060*36-WS |

\* See charts on back page for complete model numbers.

### Design & Construction Features

- Worktables with Open Base include tabletop, uprights, legs, feet, and X-brace assembly.
- Worktables with Storage Shelf include same as above, plus heavy duty dunnage shelf.
- Tabletop constructed of 14 gauge type 304 stainless steel.
- Removable tabletop, without the need for tools, features full-length 4½"-high backsplash.
- Feet are prepunched to allow fastening\* to floor.
- Valu-Master® gray epoxy finish on uprights.

\* Hardware to fasten unit to floor not included.

### Options / Accessories

- Drawers

**EAGLE GROUP**  
 100 Industrial Boulevard  
 Clayton, DE 19938-8903 USA  
 Phone: 302-653-3000 • 800-441-8440  
 Fax: 302-653-2065  
 www.eaglegrp.com • www.eaglehmc.com

For custom configuration or fabrication needs, contact our **SpecFAB® Division**.  
 Phone: 302-653-3000 • Fax: 302-653-2065 • e-mail: quotes@eaglegrp.com



EG01.60 Rev. 06/22

Spec sheets available for viewing, printing or downloading from our online literature library at [www.eaglegrp.com](http://www.eaglegrp.com)

Eagle Foodservice Equipment, Eagle MHC, and SpecFAB® are divisions of Eagle Group. ©2022 by the Eagle Group

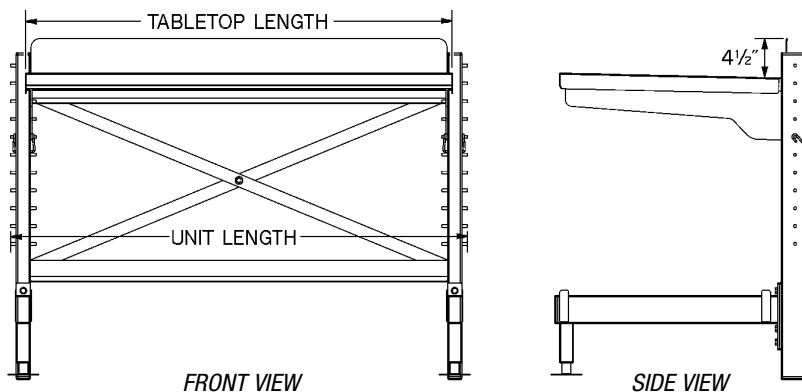


Profit from the Eagle Advantage®

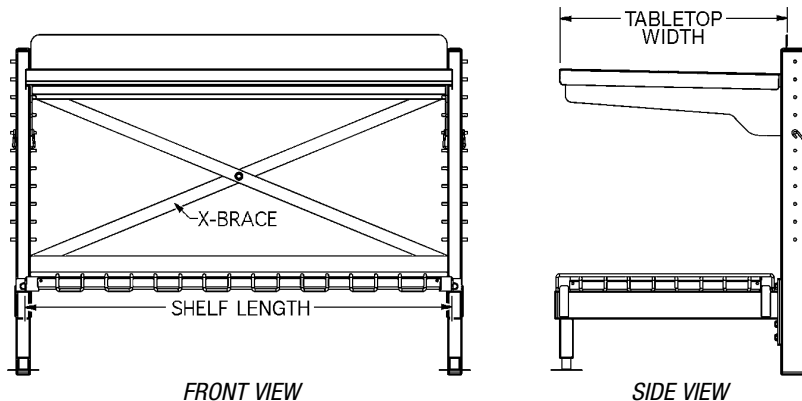
Item No.: \_\_\_\_\_  
 Project No.: \_\_\_\_\_  
 S.I.S. No.: \_\_\_\_\_

## Q-LEVER® Workstations

### Workstations with Open Base



### Workstations with Storage Shelf



#### Workstations with Open Base

#### Workstations with Storage Shelf

tabletop length in. mm	unit* length in. mm	...WITH 24" (610mm)* -WIDE TABLETOP			...WITH 30" (762mm)* -WIDE TABLETOP			...WITH 24" (610mm)* -WIDE TABLETOP			...WITH 30" (762mm)* -WIDE TABLETOP				
		weight lbs.	kg	model #	weight lbs.	kg	model #	weight lbs.	kg	model #	weight lbs.	kg	model #		
<b>Units with Valu-Master® Grey Epoxy Coated Shelves</b>															
36"	914	40"	1016	108	49	Q2436V36-WO	117	53	Q3036V36-WO	140	63	Q2436V36-WS	154	70	Q3036V36-WS
42"	1067	46"	1168	117	53	Q2442V36-WO	124	56	Q3042V36-WO	153	69	Q2442V36-WS	167	76	Q3042V36-WS
48"	1219	52"	1320	122	55	Q2448V36-WO	131	59	Q3048V36-WO	161	73	Q2448V36-WS	178	80	Q3048V36-WS
54"	1372	58"	1473	129	58	Q2454V36-WO	138	62	Q3054V36-WO	175	79	Q2454V36-WS	192	87	Q3054V36-WS
60"	1524	64"	1626	135	61	Q2460V36-WO	145	66	Q3060V36-WO	184	83	Q2460V36-WS	205	93	Q3060V36-WS
<b>Units with Valu-Gard® Green Epoxy Coated Shelves</b>															
36"	914	40"	1016	108	49	Q2436VG36-WO	117	53	Q3036VG36-WO	140	63	Q2436VG36-WS	154	70	Q3036VG36-WS
42"	1067	46"	1168	117	53	Q2442VG36-WO	124	56	Q3042VG36-WO	153	69	Q2442VG36-WS	167	76	Q3042VG36-WS
48"	1219	52"	1320	122	55	Q2448VG36-WO	131	59	Q3048VG36-WO	161	73	Q2448VG36-WS	178	80	Q3048VG36-WS
54"	1372	58"	1473	129	58	Q2454VG36-WO	138	62	Q3054VG36-WO	175	79	Q2454VG36-WS	192	87	Q3054VG36-WS
60"	1524	64"	1626	135	61	Q2460VG36-WO	145	66	Q3060VG36-WO	184	83	Q2460VG36-WS	205	93	Q3060VG36-WS

\* Dimensions are nominal.

### EAGLE GROUP

100 Industrial Boulevard, Clayton, DE 19938-8903 USA  
 Phone: 302-653-3000 or 800-441-8440 • Fax: 302-653-2065  
 www.eaglegrp.com • www.eaglemhc.com

Printed in U.S.A.  
 ©2022 by Eagle Group  
 Rev. 06/22

Spec sheets available for viewing, printing or downloading from our online literature library at [www.eaglegrp.com](http://www.eaglegrp.com)

Although every attempt has been made to ensure the accuracy of the information provided, we cannot be held responsible for typographical or printing errors. Information and specifications are subject to change without notice. Please confirm at time of order.