

Project: \_\_\_\_\_

Item: \_\_\_\_\_

Quantity: \_\_\_\_\_

## Flavor Station - Mobile Condiment Cart



### Boost Efficiency and Customer Satisfaction with Mobile Condiment Carts

Upgrade your cafeteria, concession stand, dining hall, food kiosk, or other quick-serve establishment with Flavor Station Mobile Condiment Carts!

Designed to roll from the serving line to the register reducing the risk of stolen or damaged items. This space-saving mobile cart is not fixed, so it is easily rolled back and locked away when not in use.

The Flavor Station has provided a way to serve more students in a small space without expanding the footprint.

- **Self-Serve Convenience.**

Multiple tiers or compartments on the cart allow you to offer a wide selection of individual serving packets simultaneously.

- **Increased Efficiency.**

Reduce congestion at your service counters by providing a dedicated condiment station.

- **Grows With You**

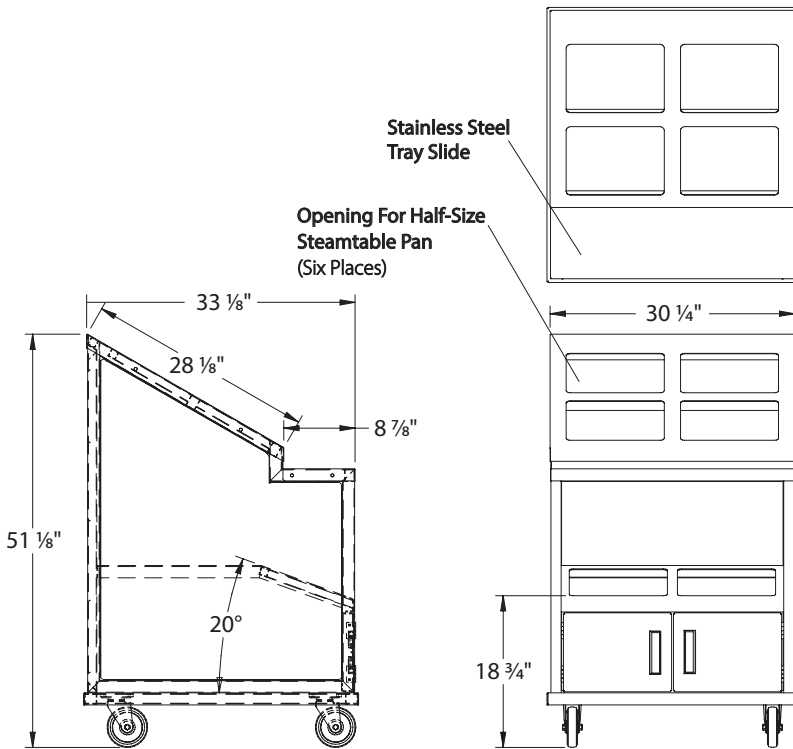
Easily move the cart to accommodate different age groups or service areas.

- **Portion Control.**

Promote portion control by utilizing individual serving packets.

- **Customize To Fit Your Needs.**

Can be customized in various sizes, colors and capacities to perfectly match your needs.



Model No.	Size W-H-D	Ship Lbs.
54084	30 1/4" x 51 1/8" x 33 1/8"	56.42

Four 5" plate type swivel casters with brake.



New Age Industrial Corp., Inc. || [NewAgeIndustrial.com](http://NewAgeIndustrial.com) || Made in the USA

PO Box 520 • 16788 US Hwy 36 • Norton, Kansas 67654 || Phone: (800) 255-0104 • (785) 877-5121 || Fax: (877)-877-7687 • (785) 877-2616

This information is for general sales and engineering use only. New Age Industrial reserves the right to modify or make changes at any time, without notice, to materials and specifications.