



COMMERCIAL LOW PROFILE 8

Electric Heated Air Curtain

Data Sheet

For Mounting Heights To 8' (environmental separation)

STANDARD CONSTRUCTION

- 8 1/2" high x 13 1/2" deep
- 1/5 hp two speed motor(s)
- Factory installed fan speed/heat switch
- White or black powder coated exterior (Optional: Custom Color or Stainless)
- Wall & Top Mounting

- Open helical element with point suspension
 - Thermal overload protection
 - Galvanized steel frame
- Alternate kW: see sheet EP-102

2 Year
Limited
Warranty



MODEL	Nozzle Width (in)	Max Vel. at Nozzle (fpm)	Avg. Outlet Vel. (fpm)	Air Volume (cfm)	Outlet Vel. Uniformity	Power Rating (kW)	Motor(s) @ hp	Max Electric Capacity (kW)	Heater Output (MBH)	Air Temp. Rise (°F)	Net Wt. (lbs)
CLC08-1030E	27.50	3,071	1,478	670	89%	0.32	1 @ 1/5	7.2	24.6	34°	42
CLC08-1036E	34.62	3,567	1,760	1,005	92%	0.32	1 @ 1/5	10.0	34.1	31°	48
CLC08-1042E	40.62	3,388	1,755	1,176	93%	0.32	1 @ 1/5	10.0	34.1	27°	53
CLC08-1048E	46.62	3,226	1,742	1,340	94%	0.32	1 @ 1/5	14.4	49.1	34°	58
CLC08-1060E	58.13	2,940	1,702	1,632	95%	0.32	1 @ 1/5	14.4	49.1	28°	67
CLC08-1072E	71.37	2,870	1,707	2,010	95%	0.32	1 @ 1/5	20.0	68.3	31°	77
CLC08-2084E	83.50	3,388	1,707	2,351	93%	0.64	2 @ 1/5	20.0	68.3	27°	105
CLC08-2096E	95.50	3,226	1,701	2,679	94%	0.64	2 @ 1/5	28.8	98.3	34°	115
CLC08-2108E	107.00	3,226	1,684	2,971	94%	0.64	2 @ 1/5	28.8	98.3	30°	123
CLC08-2120E	118.50	2,940	1,670	3,263	95%	0.64	2 @ 1/5	28.8	98.3	28°	137

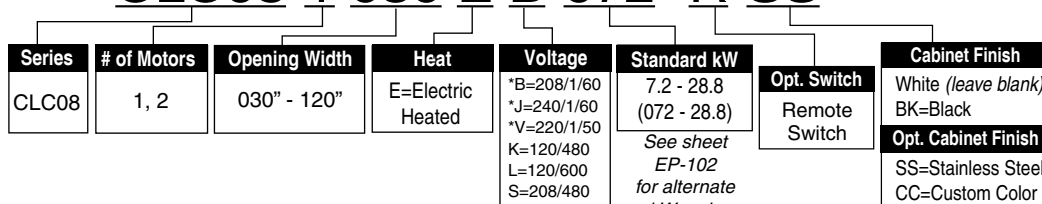
NOTES:

1. Operation at 50 Hz will generate approximately a 17% reduction in performance.
2. Performance data based on unheated units.
3. Consult factory for vertically mounted units.

See sheet EP-102 for amp draws/total load requirements and alternate kW.

MODEL NUMBER CONFIGURATION

CLC08-1 030 E B-072 -R-SS



See sheet EP-102 for alternate kW code

for Standard offering, leave options (Opt.) blank
make sure to specify Cabinet Finish if other than white

*Max 16kW
See sheet EP-102 for available lengths and voltages

Sound level measured 10' (3m) from the unit in free field:
1 motor: Low/High Speed: 53/54 dBA
2 motors: Low/High Speed: 56/57 dBA

Berner reserves the right to alter specifications without prior notice.

www.berner.com **Berner International** 800.245.4455
111 Progress Ave. / New Castle / PA / 16101 / USA

DS-102
March, 2020



COMMERCIAL LOW PROFILE 8

Electric Heated Air Curtain

Electrical Performance Sheet

MODEL	kW (suffix)	Temp Rise °F	208/1/60 (voltage code B) MOTOR AMP DRAW = 1.7 each			240/1/60 (voltage code J) or 220/1/50 (voltage code V) MOTOR AMP DRAW = 1.7 each			208/3/60 (voltage code X) MOTOR AMP DRAW = 1.7 each			240/3/60 (voltage code Y) MOTOR AMP DRAW = 1.7 each		
			# CKTS	AMPS PER CIRCUIT (including motor)	BREAKER RATING PER CIRCUIT	# CKTS	AMPS PER CIRCUIT (including motor)	BREAKER RATING PER CIRCUIT	# CKTS	AMPS PER CIRCUIT (including motor)	BREAKER RATING PER CIRCUIT	# CKTS	AMPS PER CIRCUIT (including motor)	BREAKER RATING PER CIRCUIT
CLC08-1030E	7.2 (072)	34	1	36.3	50	1	31.7	40	-	N/A	N/A	-	N/A	N/A
	5.4 (054)	25	1	27.7	35	1	24.2	35	-	N/A	N/A	-	N/A	N/A
	4 (040)	19	1	20.9	30	1	18.4	25	-	N/A	N/A	-	N/A	N/A
	3 (030)	14	1	16.1	25	1	12.5	20	-	N/A	N/A	-	N/A	N/A
CLC08-1036E CLC08-1042E	10 (100)	31	1	49.8	60	1	43.4	60	1	29.5	40	1	25.8	35
	7.5 (075)	23	1	37.8	50	1	33.0	45	1	22.5	30	1	19.7	25
	5.6 (056)	18	1	28.6	40	1	25.0	35	1	17.2	25	1	15.2	20
	4 (040)	13	1	20.9	30	-	N/A	N/A	1	12.8	20	-	N/A	N/A
CLC08-1048E CLC08-1060E	14.4 (144)	34	2	36.3/34.6	50/45	2	31.7/30.0	40/40	1	41.7	60	1	36.3	50
	10.8 (108)	25	2	27.7/26.0	35/35	1	46.7	60	1	31.7	40	1	27.7	35
	8.1 (081)	19	1	40.6	60	1	35.5	45	1	24.2	35	1	21.2	30
	5.6 (056)	13	1	28.6	40	-	N/A	N/A	1	17.2	25	-	N/A	N/A
CLC08-1072E	20 (200)	31	-	N/A	N/A	2	43.4/41.7	60/60	2	29.5/27.8	40/35	2	25.8/24.1	35/35
	15 (150)	23	2	37.8/36.1	50/50	2	33.0/31.3	45/40	1	43.3	60	1	37.8	50
	11.2 (112)	18	2	28.6/26.9	40/35	1	48.4	60	1	32.8	45	1	28.6	40
	8 (080)	13	1	40.2	60	-	N/A	N/A	1	23.9	30	-	N/A	N/A
CLC08-2084E	20 (200)	27	-	N/A	N/A	-	N/A	N/A	2	31.2/27.8	40/35	2	27.5/24.1	35/35
	15 (150)	20	2	39.5/36.1	50/50	2	34.7/31.3	45/40	1	45.0	60	1	39.5	50
	11.2 (112)	15	2	30.3/26.9	40/35	1	50.1	60	1	34.5	45	1	30.3	40
	8 (080)	11	1	41.9	60	-	N/A	N/A	1	25.6	35	-	N/A	N/A
CLC08-2096E CLC08-2108E CLC08-2120E	28.8 (288)	34	-	N/A	N/A	-	N/A	N/A	2	43.4/40.0	60/50	2	38.0/34.6	50/45
	21.6 (216)	25	-	N/A	N/A	-	N/A	N/A	2	33.4/30.0	45/40	2	29.4/26.0	40/35
	16.2 (162)	19	2	42.3/38.9	60/50	2	37.2/33.8	50/45	1	48.4	60	1	42.4	60
	11.2 (112)	13	2	30.3/26.9	40/35	-	N/A	N/A	1	34.5	45	-	N/A	N/A



COMMERCIAL LOW PROFILE 8

Electric Heated Air Curtain

Electrical Performance Sheet

MODEL	kW (suffix)	Temp Rise °F	120/1/60 - 480/3/60 (voltage code K) 120V MOTOR AMP DRAW = 3.4 each				208/1/60 - 480/3/60 (voltage code S) 208V MOTOR AMP DRAW = 1.7 each				240/1/60 - 480/3/60 (voltage code U) 240V MOTOR AMP DRAW = 1.7 each				480/3/60 (voltage code Z) MOTOR AMP DRAW = 0.9 each					
			# CKTS	AMPS PER CIRCUIT		BREAKER RATING PER CIRCUIT		# CKTS	AMPS PER CIRCUIT		BREAKER RATING PER CIRCUIT		# CKTS	AMPS PER CIRCUIT		BREAKER RATING PER CIRCUIT		# CKTS	AMPS PER CIRCUIT (including motor)	BREAKER RATING PER CIRCUIT
				120V/1	480V/3	120V/1	480V/3		208V/1	480V/3	208V/1	480V/3		240V/1	480V/3	240V/1	480V/3			
CLC08-1030E	N/A	N/A	-	N/A	N/A	N/A	N/A	-	N/A	N/A	N/A	N/A	-	N/A	N/A	N/A	N/A	N/A	N/A	
	N/A	N/A	-	N/A	N/A	N/A	N/A	-	N/A	N/A	N/A	N/A	-	N/A	N/A	N/A	N/A	N/A	N/A	
	N/A	N/A	-	N/A	N/A	N/A	N/A	-	N/A	N/A	N/A	N/A	-	N/A	N/A	N/A	N/A	N/A	N/A	
	N/A	N/A	-	N/A	N/A	N/A	N/A	-	N/A	N/A	N/A	N/A	-	N/A	N/A	N/A	N/A	N/A	N/A	
CLC08-1036E CLC08-1042E	10 (100)	31	2	3.4	12.0	15	15	2	1.7	12.0	15	15	2	1.7	12.0	15	15	1	12.9	20
	7.5 (075)	23	2	3.4	9.0	15	15	2	1.7	9.0	15	15	2	1.7	9.0	15	15	1	9.9	15
	5.6 (056)	18	-	N/A	N/A	N/A	N/A	-	N/A	N/A	N/A	N/A	-	N/A	N/A	N/A	N/A	-	N/A	N/A
	4 (040)	13	-	N/A	N/A	N/A	N/A	-	N/A	N/A	N/A	N/A	-	N/A	N/A	N/A	N/A	-	N/A	N/A
CLC08-1048E CLC08-1060E	14.4 (144)	34	2	3.4	17.3	15	25	2	1.7	17.3	15	25	2	1.7	17.3	15	25	1	18.2	25
	10.8 (108)	25	2	3.4	13.0	15	20	2	1.7	13.0	15	20	2	1.7	13.0	15	20	1	13.9	20
	8.1 (081)	19	-	N/A	N/A	N/A	N/A	-	N/A	N/A	N/A	N/A	-	N/A	N/A	N/A	N/A	-	N/A	N/A
	5.6 (056)	13	-	N/A	N/A	N/A	N/A	-	N/A	N/A	N/A	N/A	-	N/A	N/A	N/A	N/A	-	N/A	N/A
CLC08-1072E	20 (200)	31	2	3.4	24.1	15	35	2	1.7	24.1	15	35	2	1.7	24.1	15	35	1	25.0	35
	15 (150)	23	2	3.4	18.0	15	25	2	1.7	18.0	15	25	2	1.7	18.0	15	25	1	18.9	25
	11.2 (112)	18	-	N/A	N/A	N/A	N/A	-	N/A	N/A	N/A	N/A	-	N/A	N/A	N/A	N/A	-	N/A	N/A
	8 (080)	13	-	N/A	N/A	N/A	N/A	-	N/A	N/A	N/A	N/A	-	N/A	N/A	N/A	N/A	-	N/A	N/A
CLC08-2084E	20 (200)	27	2	6.8	24.1	15	35	2	3.4	24.1	15	35	2	3.4	24.1	15	35	1	25.9	35
	15 (150)	20	2	6.8	18.0	15	25	2	3.4	18.0	15	25	2	3.4	18.0	15	25	1	19.8	25
	11.2 (112)	15	-	N/A	N/A	N/A	N/A	-	N/A	N/A	N/A	N/A	-	N/A	N/A	N/A	N/A	-	N/A	N/A
	8 (080)	11	-	N/A	N/A	N/A	N/A	-	N/A	N/A	N/A	N/A	-	N/A	N/A	N/A	N/A	-	N/A	N/A
CLC08-2096E CLC08-2108E CLC08-2120E	28.8 (288)	34	2	6.8	34.6	15	45	2	3.4	34.6	15	45	2	3.4	34.6	15	45	1	36.4	50
	21.6 (216)	25	2	6.8	26.0	15	35	2	3.4	26.0	15	35	2	3.4	26.0	15	35	1	27.8	35
	16.2 (162)	19	-	N/A	N/A	N/A	N/A	-	N/A	N/A	N/A	N/A	-	N/A	N/A	N/A	N/A	-	N/A	N/A
	11.2 (112)	13	-	N/A	N/A	N/A	N/A	-	N/A	N/A	N/A	N/A	-	N/A	N/A	N/A	N/A	-	N/A	N/A



COMMERCIAL LOW PROFILE 8

Electric Heated Air Curtain

Electrical Performance Sheet

MODEL	KW (suffix)	Temp Rise °F	120/1/60 - 600/3/60 (voltage code L) 120V MOTOR AMP DRAW = 3.4 each				208/1/60 - 600/3/60 (voltage code M) 208V MOTOR AMP DRAW = 1.7 each				240/1/60 - 600/3/60 (voltage code N) 240V MOTOR AMP DRAW = 1.7 each				600/3/60 (voltage code Q) MOTOR AMP DRAW = 0.6 each					
			# CKTS	AMPS PER CIRCUIT		BREAKER RATING PER CIRCUIT		# CKTS	AMPS PER CIRCUIT		BREAKER RATING PER CIRCUIT		# CKTS	AMPS PER CIRCUIT		BREAKER RATING PER CIRCUIT		# CKTS	AMPS PER CIRCUIT (including motor)	BREAKER RATING PER CIRCUIT
				120V/1	600V/3	120V/1	600V/3		208V/1	600V/3	208V/1	600V/3		240V/1	600V/3	240V/1	600V/3			
CLC08-1030E	N/A	N/A	-	N/A	N/A	N/A	N/A	-	N/A	N/A	N/A	N/A	-	N/A	N/A	N/A	N/A	N/A	N/A	
	N/A	N/A	-	N/A	N/A	N/A	N/A	-	N/A	N/A	N/A	N/A	-	N/A	N/A	N/A	N/A	N/A	N/A	
	N/A	N/A	-	N/A	N/A	N/A	N/A	-	N/A	N/A	N/A	N/A	-	N/A	N/A	N/A	N/A	N/A	N/A	
	N/A	N/A	-	N/A	N/A	N/A	N/A	-	N/A	N/A	N/A	N/A	-	N/A	N/A	N/A	N/A	N/A	N/A	
CLC08-1036E CLC08-1042E	10 (100)	31	2	3.4	9.6	15	15	2	1.7	9.6	15	15	2	1.7	9.6	15	15	1	10.6	15
	7.5 (075)	23	-	N/A	N/A	N/A	N/A	-	N/A	N/A	N/A	N/A	-	N/A	N/A	N/A	N/A	-	N/A	N/A
	5.6 (056)	18	-	N/A	N/A	N/A	N/A	-	N/A	N/A	N/A	N/A	-	N/A	N/A	N/A	N/A	-	N/A	N/A
	4 (040)	13	-	N/A	N/A	N/A	N/A	-	N/A	N/A	N/A	N/A	-	N/A	N/A	N/A	N/A	-	N/A	N/A
CLC08-1048E CLC08-1060E	14.4 (144)	34	2	3.4	13.9	15	20	2	1.7	13.9	15	20	2	1.7	13.9	15	20	1	15.1	20
	10.8 (108)	25	-	N/A	N/A	N/A	N/A	-	N/A	N/A	N/A	N/A	-	N/A	N/A	N/A	N/A	-	N/A	N/A
	8.1 (081)	19	-	N/A	N/A	N/A	N/A	-	N/A	N/A	N/A	N/A	-	N/A	N/A	N/A	N/A	-	N/A	N/A
	5.6 (056)	13	-	N/A	N/A	N/A	N/A	-	N/A	N/A	N/A	N/A	-	N/A	N/A	N/A	N/A	-	N/A	N/A
CLC08-1072E	20 (200)	31	2	3.4	19.2	15	25	2	1.7	19.2	15	25	2	1.7	19.2	15	25	1	20.7	30
	15 (150)	23	-	N/A	N/A	N/A	N/A	-	N/A	N/A	N/A	N/A	-	N/A	N/A	N/A	N/A	-	N/A	N/A
	11.2 (112)	18	-	N/A	N/A	N/A	N/A	-	N/A	N/A	N/A	N/A	-	N/A	N/A	N/A	N/A	-	N/A	N/A
	8 (080)	13	-	N/A	N/A	N/A	N/A	-	N/A	N/A	N/A	N/A	-	N/A	N/A	N/A	N/A	-	N/A	N/A
CLC08-2084E	20 (200)	27	2	6.8	19.2	15	25	2	3.4	19.2	15	25	2	3.4	19.2	15	25	1	21.3	30
	15 (150)	20	-	N/A	N/A	N/A	N/A	-	N/A	N/A	N/A	N/A	-	N/A	N/A	N/A	N/A	-	N/A	N/A
	11.2 (112)	15	-	N/A	N/A	N/A	N/A	-	N/A	N/A	N/A	N/A	-	N/A	N/A	N/A	N/A	-	N/A	N/A
	8 (080)	11	-	N/A	N/A	N/A	N/A	-	N/A	N/A	N/A	N/A	-	N/A	N/A	N/A	N/A	-	N/A	N/A
CLC08-2096E CLC08-2108E CLC08-2120E	28.8 (288)	34	2	6.8	27.7	15	35	2	3.4	27.7	15	35	2	3.4	27.7	15	35	1	30.1	40
	21.6 (216)	25	-	N/A	N/A	N/A	N/A	-	N/A	N/A	N/A	N/A	-	N/A	N/A	N/A	N/A	-	N/A	N/A
	16.2 (162)	19	-	N/A	N/A	N/A	N/A	-	N/A	N/A	N/A	N/A	-	N/A	N/A	N/A	N/A	-	N/A	N/A
	11.2 (112)	13	-	N/A	N/A	N/A	N/A	-	N/A	N/A	N/A	N/A	-	N/A	N/A	N/A	N/A	-	N/A	N/A



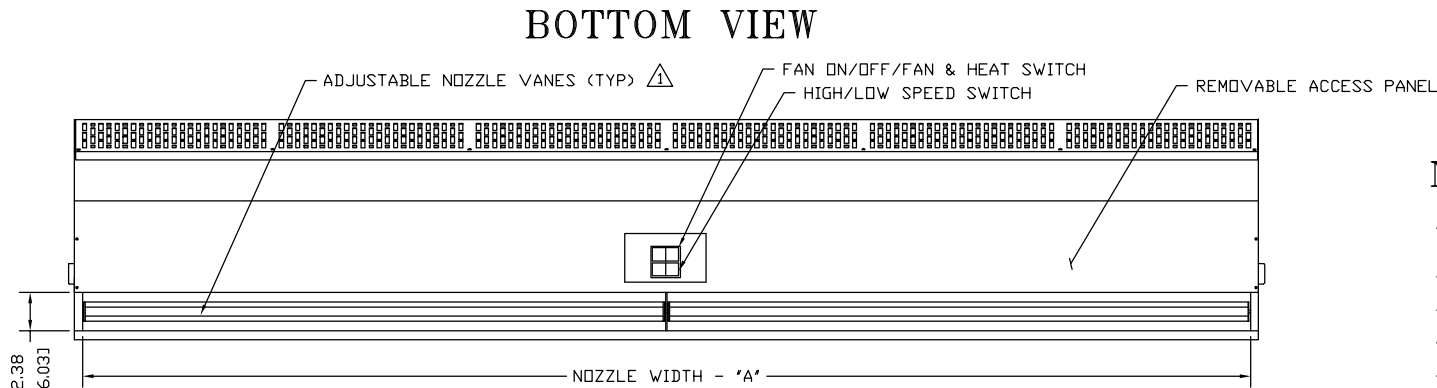
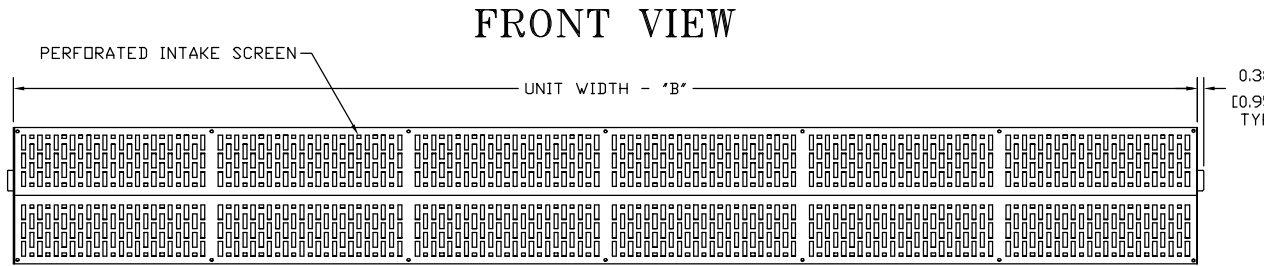
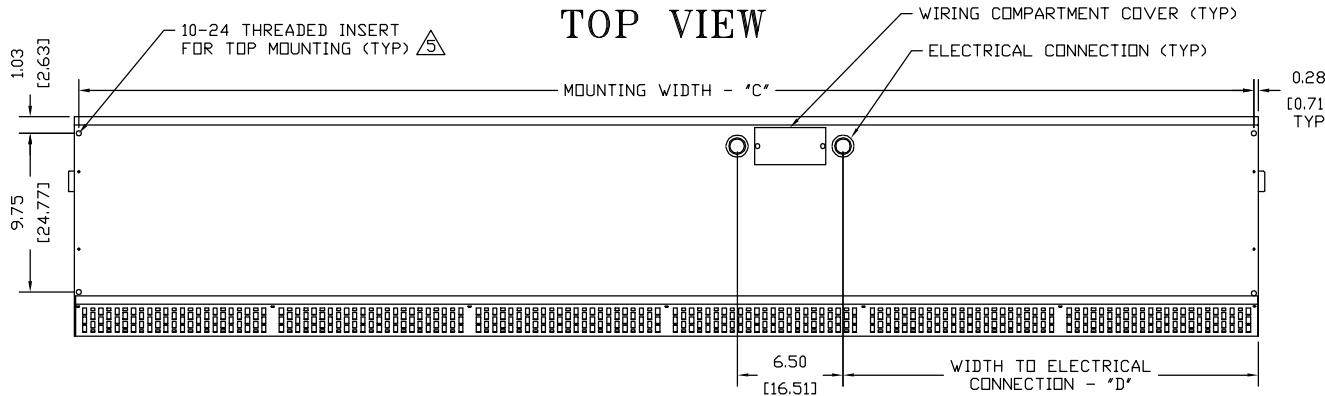
COMMERCIAL LOW PROFILE 8

Electric Heated Air Curtain

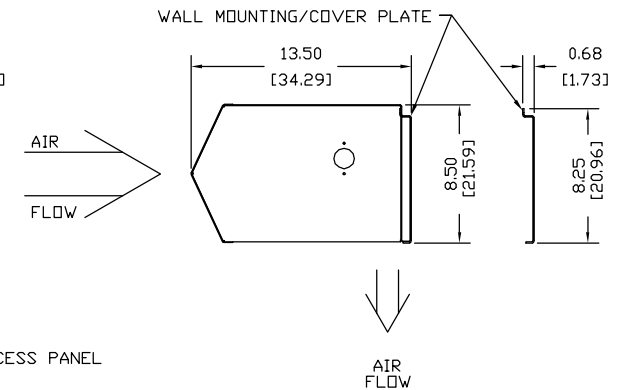
Electrical Performance Sheet

380/3/50 (voltage code O)					
MOTOR AMP DRAW = 1.7 each					
MODEL	KW (suffix)	Temp Rise °F	# CKTS	AMPS PER CIRCUIT (including motor)	BREAKER RATING PER CIRCUIT
CLC08-1030E	N/A	N/A	-	N/A	N/A
	N/A	N/A	-	N/A	N/A
	N/A	N/A	-	N/A	N/A
	N/A	N/A	-	N/A	N/A
CLC08-1036E CLC08-1042E	10 (100)	31	1	16.9	25
	7.5 (075)	23	1	13.1	20
	5.6 (056)	18	1	10.2	15
	4 (040)	13	-	N/A	N/A
CLC08-1048E CLC08-1060E	14.4 (144)	34	1	23.6	30
	10.8 (108)	25	1	18.1	25
	8.1 (081)	19	1	14.0	20
	5.6 (056)	13	-	N/A	N/A
CLC08-1072E	20 (200)	31	1	32.1	45
	15 (150)	23	1	24.5	35
	11.2 (112)	18	1	18.7	25
	8 (080)	13	-	N/A	N/A
CLC08-2084E	20 (200)	27	1	33.8	45
	15 (150)	20	1	26.2	35
	11.2 (112)	15	1	20.4	30
	8 (080)	11	-	N/A	N/A
CLC08-2096E CLC08-2108E CLC08-2120E	28.8 (288)	34	1	47.2	60
	21.6 (216)	25	1	36.2	45
	16.2 (162)	19	1	28.0	35
	11.2 (112)	13	-	N/A	N/A

CLC08 ELECTRIC HEATED



END VIEW



NOTES:

- ① AIR CURTAIN MUST BE INSTALLED SO AIR STREAM IS NOT OBSTRUCTED WHEN DEFLECTED 20° TO EITHER SIDE OF C.
- ② ELECTRICAL CONNECTIONS TO BE FLEXIBLE.
- ③ FIELD VERIFY DIMENSIONS.
- ④ ANCHORS TO SUPPORTING STRUCTURE BY OTHERS.
- ⑤ ADEQUACY OF SUPPORTING STRUCTURE IS TO BE VERIFIED BY A PROFESSIONAL STRUCTURAL ENGINEER.
- ⑥ LETTER 'E' IN MODEL NUMBER DESIGNATES ELECTRIC HEATED UNIT.
- ⑦ DIMENSIONS IN INCHES [CENTIMETERS].

MODEL ⑥	NOZZLE WIDTH 'A'	UNIT WIDTH 'B'	MOUNTING WIDTH 'C'	ELECTRIC WIDTH 'D'
CLC08-1030E	27.44 [69.69]	28.88 [73.35]	28.32 [71.93]	13.13 [33.34]
CLC08-1036E	34.62 [87.95]	36.06 [91.60]	35.50 [90.17]	7.13 [18.10]
CLC08-1042E	40.62 [103.17]	42.06 [106.83]	41.50 [105.41]	13.13 [33.34]
CLC08-1048E	46.62 [118.41]	48.06 [122.07]	47.50 [120.65]	13.13 [33.34]
CLC08-1060E	58.13 [147.65]	59.55 [151.26]	59.00 [149.86]	18.88 [47.94]
CLC08-1072E	71.37 [181.28]	72.81 [184.94]	72.25 [183.52]	25.50 [64.80]
CLC08-2084E	83.50 [212.09]	84.94 [215.74]	84.38 [214.31]	13.13 [33.34]
CLC08-2096E	95.50 [242.57]	96.94 [246.23]	96.38 [244.79]	13.13 [33.34]
CLC08-2108E	107.00 [271.78]	108.44 [275.44]	107.88 [274.00]	18.88 [47.94]
CLC08-2120E	118.50 [300.99]	119.94 [304.65]	119.38 [303.21]	18.88 [47.94]

PROJECT		
LOCATION		
ARCHITECT		
ENGINEER		
DWG. NO.	CLC08-ELE	TITLE: BERNER
DATE	28MAR2016	MODEL CLC08 AIR CURTAIN
BY	S. Beil	ELECTRIC HEATED SYSTEM
REPLACES	14OCT14	
BY	S. Beil	BERNER INTERNATIONAL CORP. NEW CASTLE, PA.