

# LVPO F2 Starter Kit

For small to midsize Foodservice operators, the LVPO line are the filtration systems that provide flexible installation, easy maintenance, optimal flow rate and capacity performance with a boost option that ensures consistent beverage quality

# SHURflo®

## APPLICATIONS

Ice

## BENEFITS

Designed for versatile installation capabilities

Fiberdyne media for right sized capacity and flow rates for lower volume accounts

Optional water boost to ensure consistent flow and pressure

Reduces particulate and protects against scale while maintaining Chlorine level for slime prevention



LVPO F2 Starter Kit: 94-479-00

LVPO F2 Replacement: 94-470-00

## SPECIFICATIONS

**Overall dimensions:** 3.3"H x 16.1"W x 3.3"D

**Inlet Connections:** 3/8" NPT

**Outlet Connections:** 3/8" NPT

**Service Flow Rate:** 3.0 GPM (11.35 LPM)

**Rated Capacity:** 6,000 Gallons (22,712 Liters)

### Pressure

**Requirements:** 20-125 psi (1.4-8.2 bar)

**Temperature:** 40-100°F (4.4-37.8°C)

**Shipping Weight:**

**Operating Weight:**

SHURflo Inline Water Filter Systems are warranted to be free of defects in material and workmanship, under normal use, for a period of one (1) year from the date of manufacture OR one (1) year of use, with proof of purchase. This limited warranty will not exceed two (2) years, in any event.

The limited warranty will not apply to Inline Water Filter Systems that were improperly installed, misapplied, or incompatible with fluids or components not manufactured by SHURflo. Inline Water Filter System failure due to foreign debris is not covered under the terms of this limited warranty. SHURflo will not warrant any Inline Water filter System which is modified outside the SHURflo factory.

Returns are to be shipped postage prepaid to either service center; SHURflo Cypress, CA or Hanover Park, IL. SHURflo shall not be liable for freight damage incurred during shipping.

# LVPO F2 Starter Kit

## 94-479-00

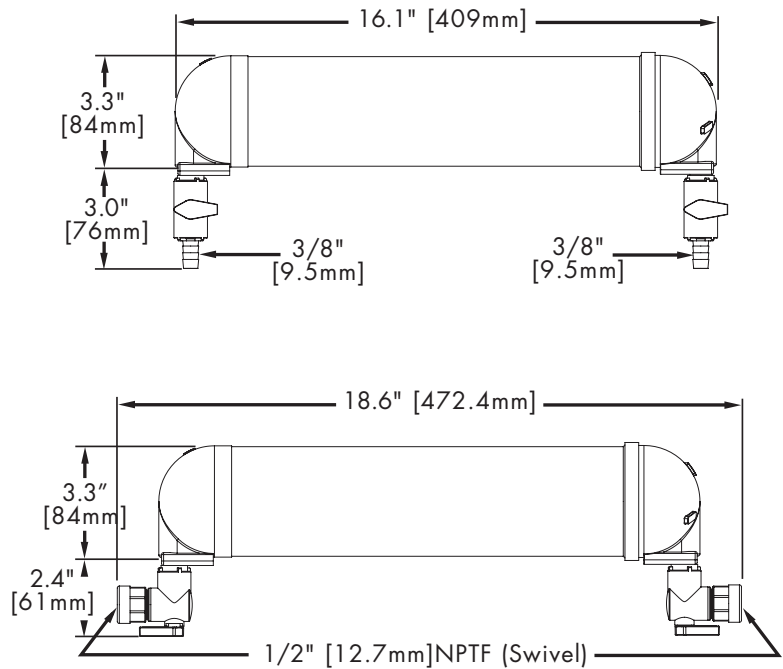
### INSTALLATION TIPS

Do not use with water that is microbiologically unsafe or of unknown quality without adequate disinfection before or after this system.

Filter must be protected against freezing, which can cause cracking of the filter and water leakage.

Install this filter on cold water lines only. Do not use on water lines exceeding 100°F (37.2°C). Minimum water pressure of 20 psi (1.4 bar) and a maximum water pressure of 125 psi (8.62 bar) is required.

When installing behind an appliance use ample amount of tubing to allow removal of the appliance to prevent damage to the tubing, filter or fittings. Damage to tubing, filter or fittings could cause leakage and damage.



The LVPO-F2 is Tested and Certified by NSF International against NSF/ANSI Standard 42 for Nominal Particulate Class III.

*SHURflo reserves the right to update specifications, change prices, or make substitutions without notice.*

94-479-00 LFPO-F2

JA10

Everpure-Shurflo India  
A-25  
Mohan Co-operative Industrial Estate  
Mathura Road  
New Dehli, 110 044  
INDIA  
TEL: 011.661.188.00  
FAX: 011.661.188.22

Everpure-Shurflo Japan LLC  
Hashimoto MN Bldg. 7F  
3-25-1 Hashimoto Sagami-hara-Shi  
Kanagawa 229-1103  
JAPAN  
TEL: 81.(0)42.775.3011  
FAX: 81.(0)42.775.3015

Everpure-Shurflo China  
21F Cloud 9 Plaza, No 1118,  
West Yan'an Road, Changning District  
Shanghai, 200052  
CHINA  
TEL: 86.21.3211.4588  
FAX: 86.21.3211.4580

# SHURflo®

*First in Fluid Innovation*

Visit our website at [www.shurflo.com](http://www.shurflo.com)

Pentair Filtration Solutions, LLC  
World Headquarters-Everpure/Shurflo  
North and South America Sales  
1040 Muirfield Dr.  
Hanover Park, Illinois 60133  
USA  
TEL: 800.323.7873 (US only)  
TEL: 630.307.3000  
FAX: 630.307.3030

Everpure-Shurflo Australia  
2 Redwood Drive  
Notting Hill  
Victoria, 3168  
AUSTRALIA  
TEL: 011.61.39.574.4000  
FAX: 011.61.39.562.7237

Everpure-Shurflo Southeast Asia  
18 Boon Lay Way  
#04-110/111  
TradeHub 21, 609966  
SINGAPORE  
TEL: 65.6795.2213  
FAX: 65.6795.2219

Everpure-Shurflo Europe bvba  
Industriepark Wolfstee  
Toekomstlaan 30  
B-2200 Herentals  
BELGIUM  
TEL: +32.(0).14.283.500  
FAX: +32.(0).14.283.505