



Trailer for Rotisserie Units



The Cookshack Trailer is designed to transport a Fast Eddy's™ by Cookshack FEC300, FEC500 or FEC750. Whether you need to tow your FEC to a barbecue competition or to a catering event, this trailer will make your smoking easier. Vehicle Identification Number (VIN) is available so the trailer can be registered and tagged if necessary.

Features

- 3500# torsion axle
- Constructed from 3/16" C-Channel and 2" tubing
- 15" radial trailer tires
- Removable tongue for easy and secure storage; remove the tongue at the vent and do not worry about someone driving away with smoker
- Lightweight and easy towing for small vehicles
- Powder-coated in black
- Standard 4-wire flat plug light hookup
- 87.5" width on the trailer for the FEC300/500 makes it fit in van-type commercial shippers and will fit through most garage doors



Brake Lights

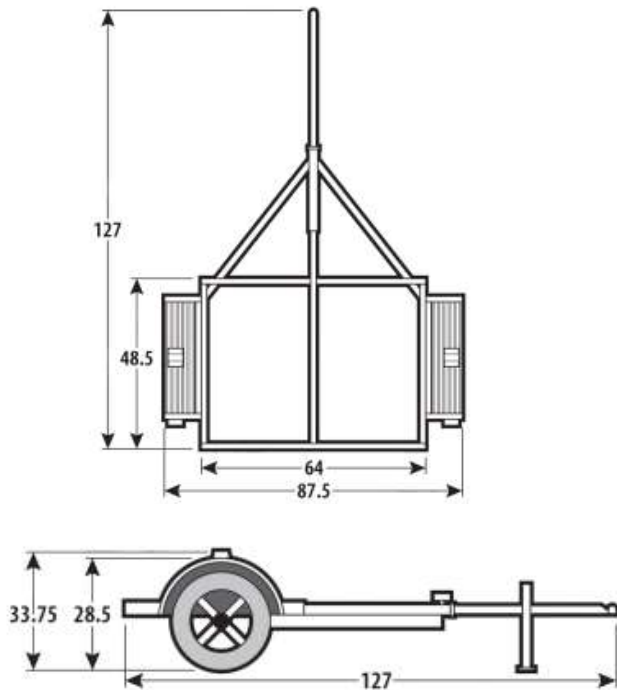


Attaches to a 2" ball size



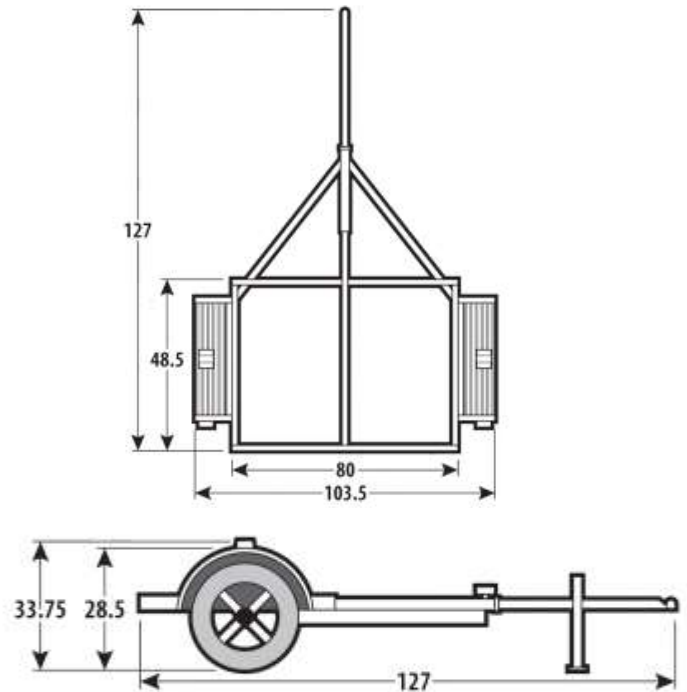
FETR Dimensions

Trailer for the
FEC300 and FEC500



FETR750 Dimensions

Trailer for the FEC750



FETR Specs	
Dimensions	127"L x 28.5"T x 87.5"W
Electrical	Standard 4 wire flat plug light hookup
Construction	3" x 3/16" C Channel, 2x3x14 ga. Rectangular tubing and 2"x1/4" square tubing
Standard Equipment	Qty 2 - 15" radial tires, light kit, removable tongue
Ship Weight	750 lbs.

FETR750 Specs	
Dimensions	127"L x 28.5"T x 103.5"W
Electrical	Standard 4 wire flat plug light hookup
Construction	3" x 3/16" C Channel, 2x3x14 ga. Rectangular tubing and 2"x1/4" square tubing
Standard Equipment	Qty 2 - 15" radial tires, light kit, removable tongue
Ship Weight	750 lbs.