



T&S BRASS AND BRONZE WORKS, INC.

2 Saddleback Cove / P.O. Box 1088
Travelers Rest, SC 29690

Model No.

B-0157-CR

Item No.

Travelers Rest, SC: 800-476-4103 • Simi Valley, CA: 800-423-0150 • Fax: 864-834-3518 • www.tsbrass.com

This Space for Architect/Engineer Approval

Job Name _____ Date _____

Model Specified _____ Quantity _____

Customer/Wholesaler _____

Contractor _____

Architect/Engineer _____

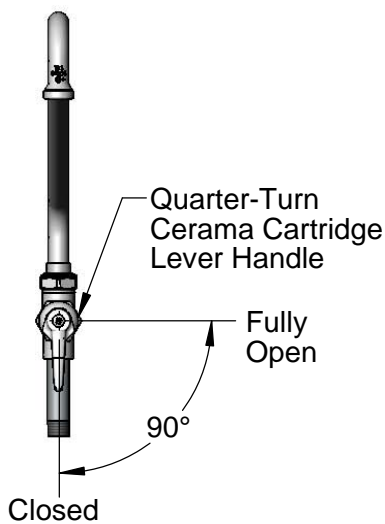


ADA Compliant

3/8" NPT
Female Outlet



065X
18" Swing Nozzle
w/ B-PT Stream
Regulator Outlet

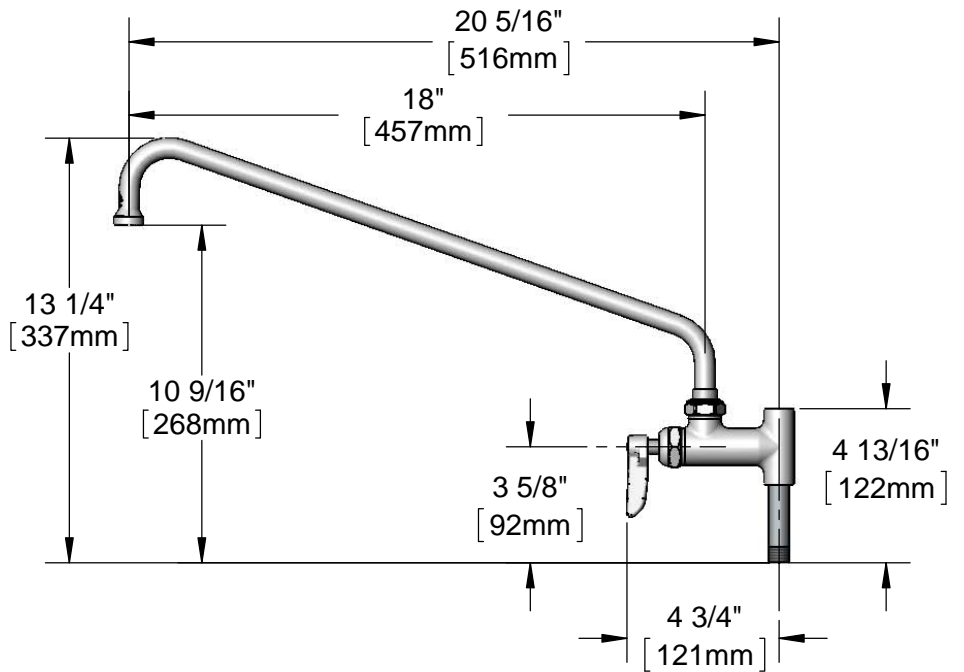


Quarter-Turn
Cerama Cartridge
Lever Handle

Fully
Open

90°

Closed



Product Specifications:
Add-On Faucet w/ Quarter-Turn Cerama Cartridge & 18" Swing Nozzle

Product Compliance:
ASME A112.18.1 / CSA B125.1
NSF 61 - Section 9
NSF 372 (Low Lead Content)
ANSI A117.1 (ADA)



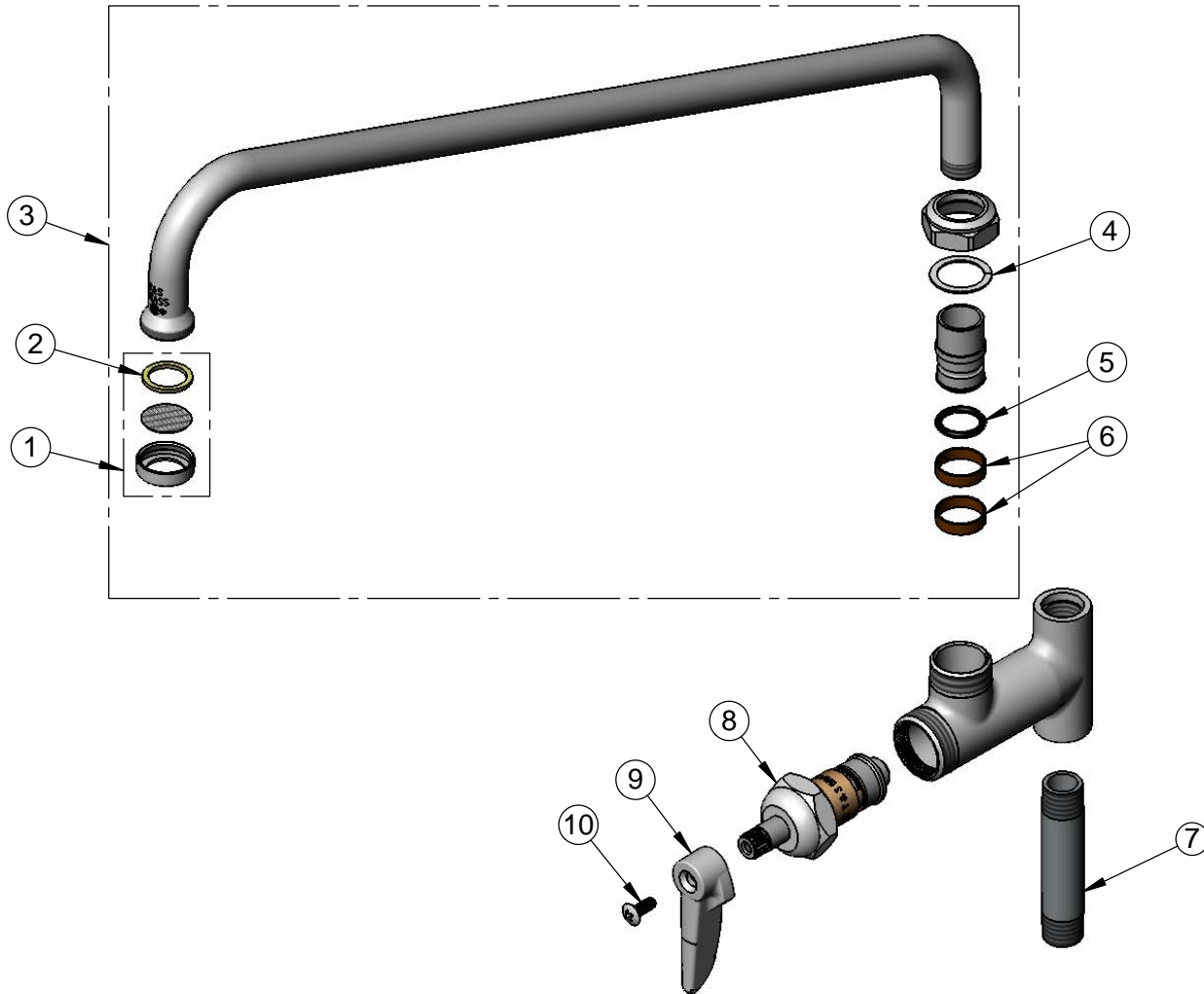
T&S BRASS AND BRONZE WORKS, INC.
 2 Saddleback Cove / P.O. Box 1088
 Travelers Rest, SC 29690

Model No.
B-0157-CR

Item No.

Travelers Rest, SC: 800-476-4103 • Simi Valley, CA: 800-423-0150 • Fax: 864-834-3518 • www.tsbrass.com

ITEM NO.	SALES NO.	DESCRIPTION
1	B-PT	Stream Regulator Outlet
2	001048-45	Nozzle Tip Washer
3	065X	18" Swing Nozzle
4	009538-45	Swivel Washer
5	001074-45	O-Ring
6	011429-45	Swivel Sleeves (2)
7	000358-40	Nipple, 3/8" NPT x 3"
8	011278-25	Quarter-Turn Cerama Cartridge, RTC
9	001638-45	Lever Handle
10	000922-45	Lever Handle Screw



Product Specifications:
 Add-On Faucet w/ Quarter-Turn Cerama Cartridge & 18" Swing Nozzle

Product Compliance:
 ASME A112.18.1 / CSA B125.1
 NSF 61 - Section 9
 NSF 372 (Low Lead Content)
 ANSI A117.1 (ADA)