



# ATLAS METAL

1135 N.W. 159th DRIVE, MIAMI, FLORIDA 33169

TEL 305.625.2451

TOLL FREE 800.762.7565

FAX 305.623.0475

WWW.ATLASFOODSERV.COM

SALES@ATLASFOODSERV.COM

Project: \_\_\_\_\_

Item No.: \_\_\_\_\_

Quantity: \_\_\_\_\_

## CSG - CUSTOM FOOD GUARDS



### CUSTOM FOOD GUARD

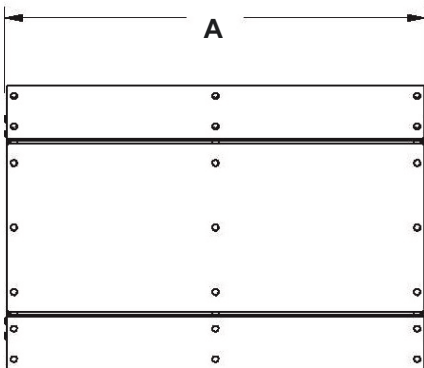
**CSG - SERIES**  
**Buffet Canopy**  
**Dual Service**

- CSG-1M
- CSG-2M
- CSG-3M
- CSG-4M
- CSG-5M
- CSG-6M

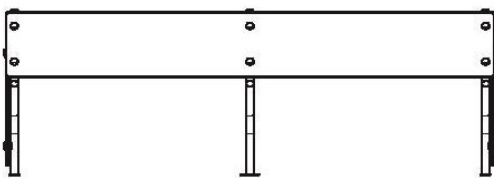
### SPECIFICATION

Sneeze guard is constructed from 1" DIA. Stainless steel tubing formed, welded & polished to a uniform finish, mounting hardware & adaptor spacer made of type 316 stainless steel, front & top panels of 3/8" thick tempered glass, (2) 1/4" thick tempered end panels, all tempered glass panels have radius corners & polished edges, easily removable/replaceable, unit is supplied with stainless steel flange feet for ease of mounting to any countertop.

TOP VIEW



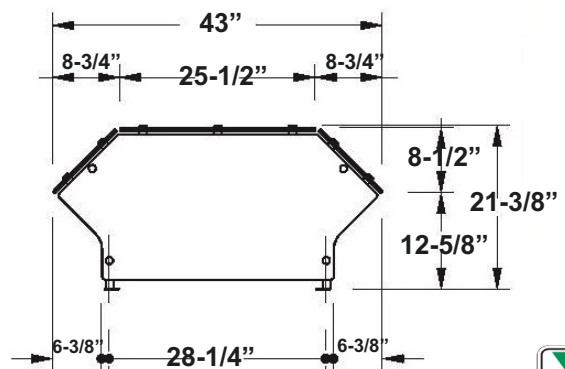
REAR / FRONT VIEW



### ACCESSORIES

- CSG-FL - LED lights
- CSG-FW - Food warmer
- CSG-FWL - Food warmer with incandescent lights
- CSG-PC - Powder coating

MODEL SIZE	LENGTH "A"	WT (LBS.)
1	23-7/8" (60.64cm)	70 (31.75kg)
2	36-1/8" (91.75cm)	90 (40.82kg)
3	49-7/8" (126.68cm)	120 (54.43kg)
4	63-5/8" (161.60cm)	144 (65.31kg)
5	77-3/8" (196.53cm)	175 (79.37kg)
6	91-1/8" (231.45cm)	222 (100.69kg)



END VIEW



CSG-9