



Intertek

4004503

Conforms to NSF/ANSI STD 2
Certified to CSA STD B45.4

Specifications

Drain

- 1-1/2" I.P.S. threaded drain will fit Dearborn part #8033 slipnut and part #W-573P washer

Faucet

- Deck mount on 4" centers, accepts 3/8" sink leads, hot and cold water connection required
- Optional foot- or knee-operated faucet: single hole, (2) 1/2" NPT female inlets and (1) 1/2" NPT female outlet
- NSF/ANSI 61, 372 low lead compliant

Sink Bowl Dimensions

- 9-1/4" by 11-1/2" by 6" deep

Legs

- 1-5/8" diameter, 16 gauge stainless steel
- Stainless steel bullet feet

Materials

- 20 gauge stainless steel parts include: all components unless otherwise noted
- 18 gauge stainless steel parts include: towel dispenser on C-HSA-12-D and C-HSB-12-D models

To view cleaning and care instructions, please visit:
https://www.glastender.com/PDF/F-423-011_ss_clean_care.pdf

⚠WARNING: The plastic wet waste strainer included with this product can expose you to chemicals including Bisphenol A (BPA), which is known to the State of California to cause birth defects or other reproductive harm. For more information, go to www.P65Warnings.ca.gov. **Part #03000483**
Warning applies to State of California only.

Project: _____	AIA# _____
Item #: _____ Qty: _____	SIS# _____
Model #: _____	

Hand Sinks

C-HS

C-HSA-12, C-HSA-12-D, C-HSB-12,
C-HSB-12-D

Standard Features

- All stainless steel
- Complete welded construction to meet NSF[®] standards
- One piece seamless top and backsplash featuring 1/4" radius corners
- Drawn sink bowl
- Adjustable stainless steel bullet feet
- C-HSA-12-D and C-HSB-12-D include top refillable soap dispenser and front-skirt-mounted C-fold paper towel dispenser

Configurable Options

- Foot-operated faucet; specify option FOF-D
- Knee-operated faucet; specify option KOF-D (for C-HSB-12)
- Side splashes; specify option C-LSA-D (left) and/or C-RSA-D (right) for C-HSA models, specify option C-LSB-D (left) and/or C-RSB-D (right) for C-HSB models

Accessories

C-DWR-S	Dry waste rail, aligns with single speed rail, cannot mount to "-D" models
C-DWR-D	Dry waste rail, aligns with double speed rail, cannot mount to "-D" models
03000483	Wet waste sink strainer
03000511	Wrist handles, set of two
TR	Towel ring
TD-C	Paper towel dispenser, C-fold
03001873	Liquid soap dispenser, hand-pump



FOF-D
Foot-operated
faucet



KOF-D
Knee-operated
faucet

Glastender, Inc. • 5400 North Michigan Road • Saginaw, MI • 48604-9780
989.752.4275 • 800.748.0423 • Fax 989.752.4444
www.glastender.com

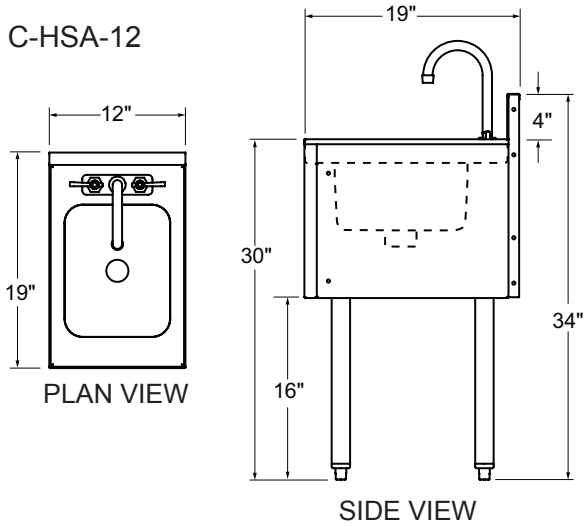
Approval/Notes:

Specifications subject to change without notice. For current specifications please visit our website.

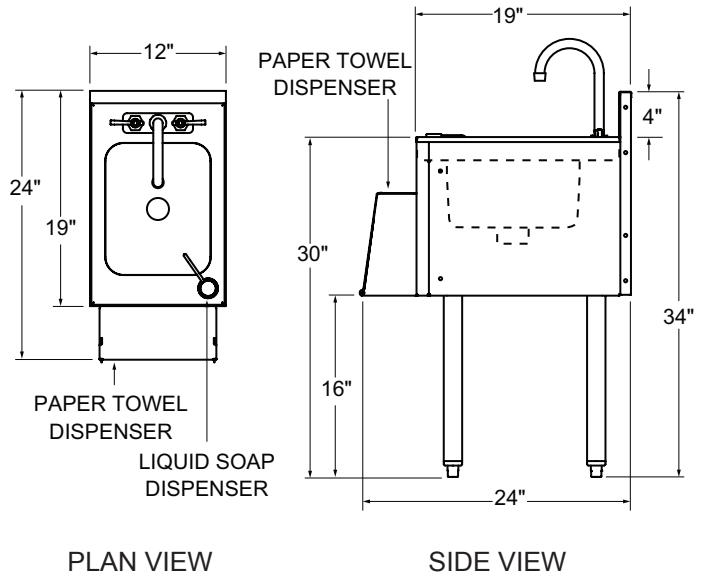
Choice Hand Sinks

Dimensional Information

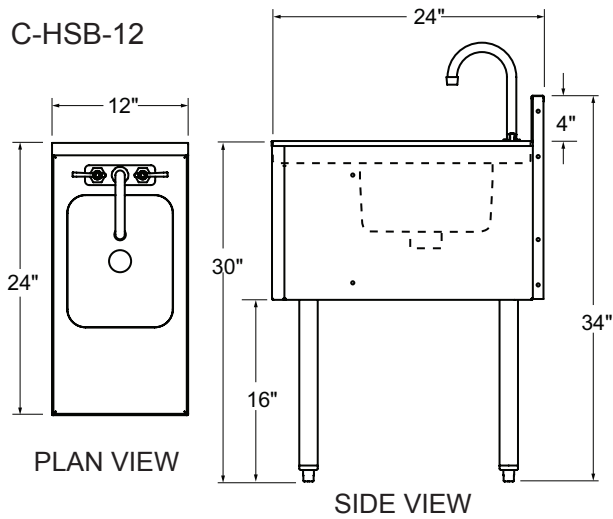
C-HSA-12



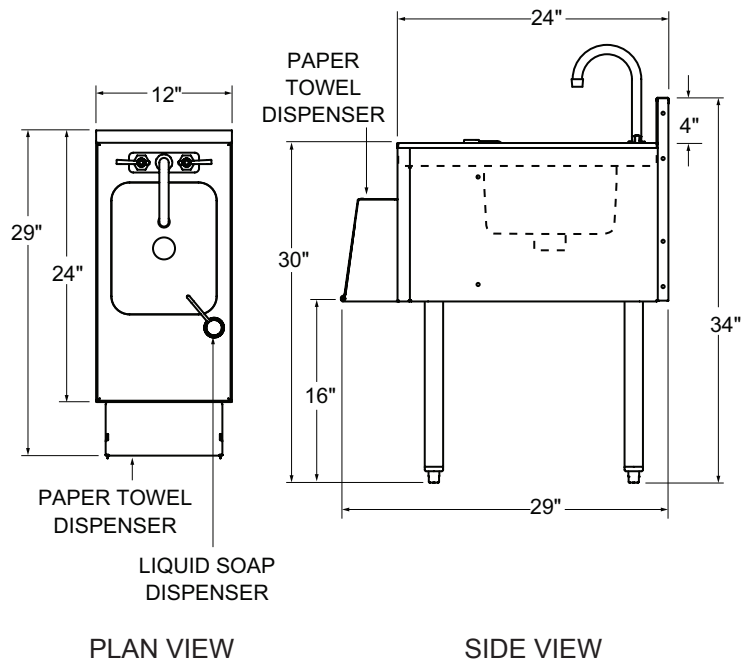
C-HSA-12-D



C-HSB-12



C-HSB-12-D



C-HSA-12, C-HSB-12,

C-HSA-12-D &
C-HSB-12-D

