

Specification Sheet

Short Form Specifications

BlendPort[®] Non-Adjustable Overshelf, model _____.
 Constructed of 18 gauge type 430 stainless steel, the (single deck, double deck) shelf shall be (12", 18") wide. Shelves are mounted on 1"-diameter stainless steel tubing welded to angles for mounting to table.



single deck overshelf



double deck overshelf

Item No.:	_____
Project No.:	_____
S.I.S. No.:	_____

Table Accessories— Overshelves

MODELS:

- | | |
|---|--|
| <input type="checkbox"/> BPOS-1236 | <input type="checkbox"/> BPDOS-1236 |
| <input type="checkbox"/> BPOS-1248 | <input type="checkbox"/> BPDOS-1248 |
| <input type="checkbox"/> BPOS-1260 | <input type="checkbox"/> BPDOS-1260 |
| <input type="checkbox"/> BPOS-1272 | <input type="checkbox"/> BPDOS-1272 |
| <input type="checkbox"/> BPOS-1296 | <input type="checkbox"/> BPDOS-1296 |
| <input type="checkbox"/> BPOS-1836 | <input type="checkbox"/> BPDOS-1836 |
| <input type="checkbox"/> BPOS-1848 | <input type="checkbox"/> BPDOS-1848 |
| <input type="checkbox"/> BPOS-1860 | <input type="checkbox"/> BPDOS-1860 |
| <input type="checkbox"/> BPOS-1872 | <input type="checkbox"/> BPDOS-1872 |
| <input type="checkbox"/> BPOS-1896 | <input type="checkbox"/> BPDOS-1896 |

Features

- All type 430 stainless steel construction.
- 1" (25mm)-diameter stainless steel tubular base legs.
- 1½" (38mm)-diameter 180° rolled edge on front and rear of overshelves.
- Ends turned down 90° with hemmed edges.
- 12" and 18" (305 and 457mm) widths.

BlendPort[®]

An Eagle Group Company
 100 Industrial Boulevard, Clayton, DE 19938-8903 USA
 Phone: 800-441-8440 • Fax: 302-653-2065

Certifications / Approvals

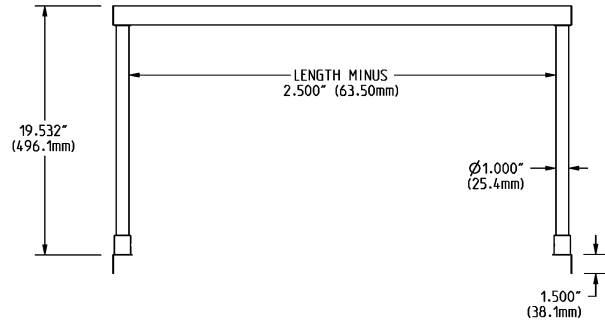


AutoQuotes

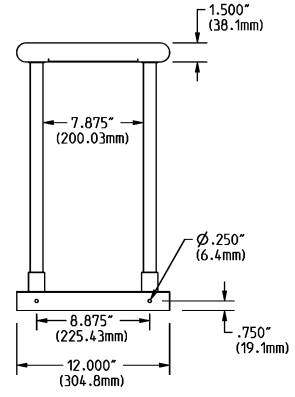


Item No.: _____
 Project No.: _____
 S.I.S. No.: _____

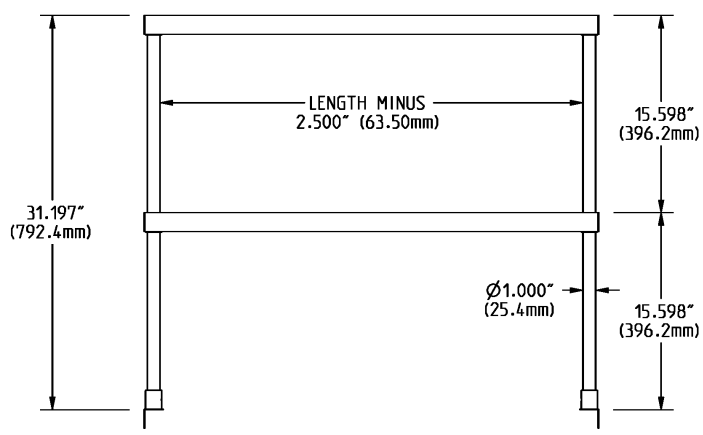
Table Accessories—Overshelves



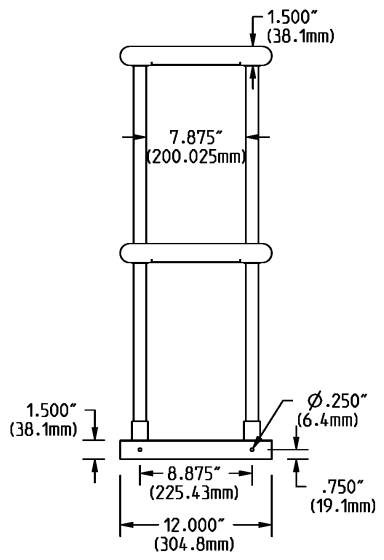
FRONT VIEW



SIDE VIEW



FRONT VIEW



SIDE VIEW

SINGLE DECK OVERSHELVES

12" (305mm) WIDE		18" (457mm) WIDE	
model #	weight lbs. kg	model #	weight lbs. kg
BPOS-1236	14 6.4	BPOS-1836	18 8.2
BPOS-1248	30 13.6	BPOS-1848	32 14.5
BPOS-1260	35 15.9	BPOS-1860	37 16.8
BPOS-1272	39 17.7	BPOS-1872	42 19.1
BPOS-1296	50 22.7	BPOS-1896	55 25.0

DOUBLE DECK OVERSHELVES

12" (305mm) WIDE		18" (457mm) WIDE		# of legs	length	
model #	weight lbs. kg	model #	weight lbs. kg		in.	mm
BPDOS-1236	24 10.9	BPDOS-1836	27 12.3	4	36"	914
BPDOS-1248	33 15.0	BPDOS-1848	38 17.2	4	48"	1219
BPDOS-1260	39 17.7	BPDOS-1860	47 21.3	4	60"	1524
BPDOS-1272	45 20.4	BPDOS-1872	52 23.6	4	72"	1829
BPDOS-1296	54 24.5	BPDOS-1896	70 31.8	6	96"	2438



An Eagle Group Company
 100 Industrial Boulevard, Clayton, DE 19938-8903 USA
 Phone: 800-441-8440 • Fax: 302-653-2065

Printed in U.S.A.
 ©2023 by Eagle Group
 Rev. 03/23

Although every attempt has been made to ensure the accuracy of the information provided, we cannot be held responsible for typographical or printing errors. Information and specifications are subject to change without notice. Please confirm at time of order.