



**John
BOOS**
Since 1887

ITEM #: _____ QTY: _____
 MODEL #: _____
 PROJECT NAME: _____

073118

3601 S. Banker St. Effingham, IL 62401 • P.O. BOX 609 • Ph: (888) 431-2667 • Fax: (800) 433-2667

"EDTS8-UC" UNDERCOUNTER DISHTABLES - STRAIGHT



18GA STAINLESS STEEL TOP AND GALVANIZED BASE

FEATURES:

- 18GA STAINLESS STEEL
- TYPE 300 STAINLESS STEEL WITH #4 POLISH, SATIN FINISH
- 8" DEEP BOWLS (BOWL SIZE 20" X 20" X 8")
- ALL CORNERS, BOTH VERTICAL AND HORIZONTAL, COVED AT 3/4" RADIUS
- BOTTOMS OF BOWLS FORMED FOR DRAINAGE TO 3-1/2" DIAMETER DIE STAMPED OPENING
- FULL LENGTH **10" HIGH BOXED BACKSPASH**, WITH 2" RETURN TO WALL AT 45 DEGREE AND 1/2" TURNED DOWN REAR LIP
- 8" O.C. WITH 1-1/8" FAUCET HOLES IN BACKSPASH
- ALL OUTSIDE CORNERS OF ASSEMBLY ARE BULLNOSED TO PROVIDE SAFE, CLEAN, AND POLISHED EDGE
- STANDARD GALVANIZED LEGS 1-5/8" DIAMETER PROVIDING INCREASEDE STABILITY AND MAX WEIGHT SUPPORT

CONSTRUCTION:

- TOP: STAINLESS STEEL SINKS ARE TIG WELDED, EXPOSED WELDS ARE POLISHED TO MATCH ADJACENT SURFACE
- BASE: GALVANIZED LEGS

MATERIAL:

- BOWLS & TOP: 16GA TYPE 300 STAINLESS STEEL WITH #4 POLISH, SATIN FINISH
- LEGS: 1-5/8" ROUND O.D. GALVANIZED
- BRACING: 1-1/4" ROUND O.D. GALVANIZED
- GUSSETS: STAINLESS STEEL
- FEET: 1" ADJUSTABLE PLASTIC BULLET FEET

OPTIONAL ACCESSORIES

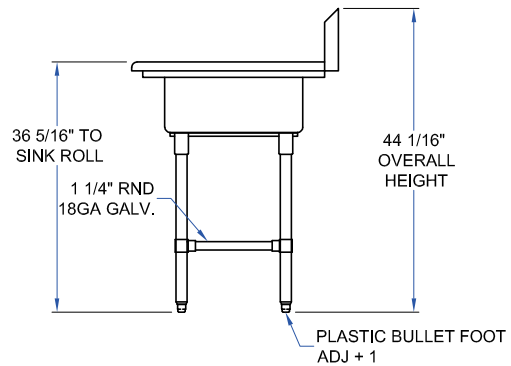
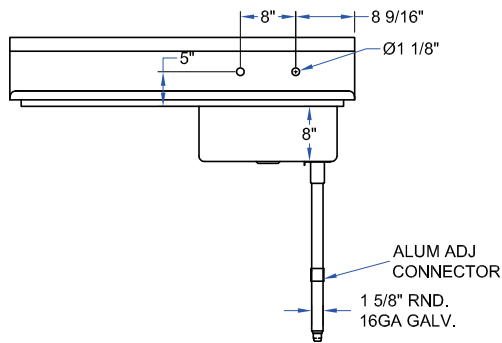
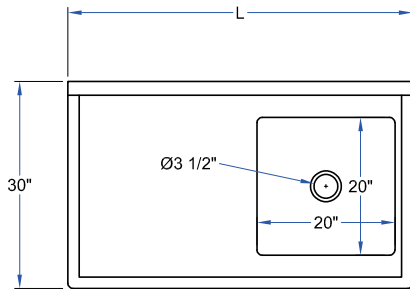
DESCRIPTION	QTY
ADD-A-FAUCETS	
PRE-RINSE UNITS	
LEVEL WASTE	
OVERSHELVES	
POT RACK	



18GA - UNDERCOUNTER DISHTABLES - STRAIGHT

MODEL	QTY
EDTS8-S30-50UCL	
EDTS8-S30-50UCR	
EDTS8-S30-60UCL	
EDTS8-S30-60UCR	

DETAILED SPECIFICATIONS



18GA - UNDERCOUNTER DISHTABLES - STRAIGHT

L	MODEL	WT. (LBS)
50"	EDTS8-S30-50UCL	55
50"	EDTS8-S30-50UCR	55
60"	EDTS8-S30-60UCL	66
60"	EDTS8-S30-60UCR	66

SOME UNITS SHIP UNASSEMBLED FOR REDUCED SHIPPING COST. ALL DIMENSIONS ARE TYPICAL. TOLERANCE +/- .500"
 John Boos & Co. is constantly engaged in a program of improving products and therefore reserves the right to change specifications without prior notice.



3601 S. Banker St. • Effingham, IL 62401 • PO BOX 609 • quotes@johnboos.com

082818



www.johnboos.com

337