



BOH Series Induction Flameless Cooking Carts

Models:

| SKU | RANGES | PRODUCT DIMENSIONS | SHIPPING DIMENSIONS* | WEIGHT | OPTIONS |
|--------------|-------------|--------------------------|----------------------|---------|---------|
| BOH-1800C | SM-181R x 4 | 36"W x 33.25"D x 36.03"H | 37"W x 45"D x 39"H | 266 lbs | N/A |
| BOH-1800DC | | | | | Doors |
| BOH-2600C | SM-261R x 4 | 36"W x 33.25"D x 36.03"H | 37"W x 45"D x 39"H | | N/A |
| BOH-2600DC | | | | | Doors |
| BOH-3500C | SM-351R x 4 | 36"W x 33.25"D x 36.03"H | 37"W x 45"D x 39"H | | N/A |
| BOH-3500DC | | | | | Doors |
| BOH-1800C-6 | SM-181R x 6 | 48"W x 33.25"D x 36.03"H | 70"W x 40"D x 60"H | 500 lbs | N/A |
| BOH-1800DC-6 | | | | | Doors |
| BOH-2600C-6 | SM-261R x 6 | 48"W x 33.25"D x 36.03"H | 70"W x 40"D x 60"H | | N/A |
| BOH-2600DC-6 | | | | | Doors |
| BOH-3500C-6 | SM-351R x 6 | 48"W x 33.25"D x 36.03"H | 70"W x 40"D x 60"H | | N/A |
| BOH-3500DC-6 | | | | | Doors |

* Estimated crate dimensions, crates are built to size. Sizes may vary.

Description:

Optimize your back-of-house operation with the power of induction – our BOH Series Flameless Cooking Induction Carts offer cleaner, more efficient & safer cooking, prepping, and warming in a compact, stainless-steel cart designed for commercial settings.

Agency Listings:

- FCC
- ETL
- ETL-Sanitation to NSF-4
- UL-197

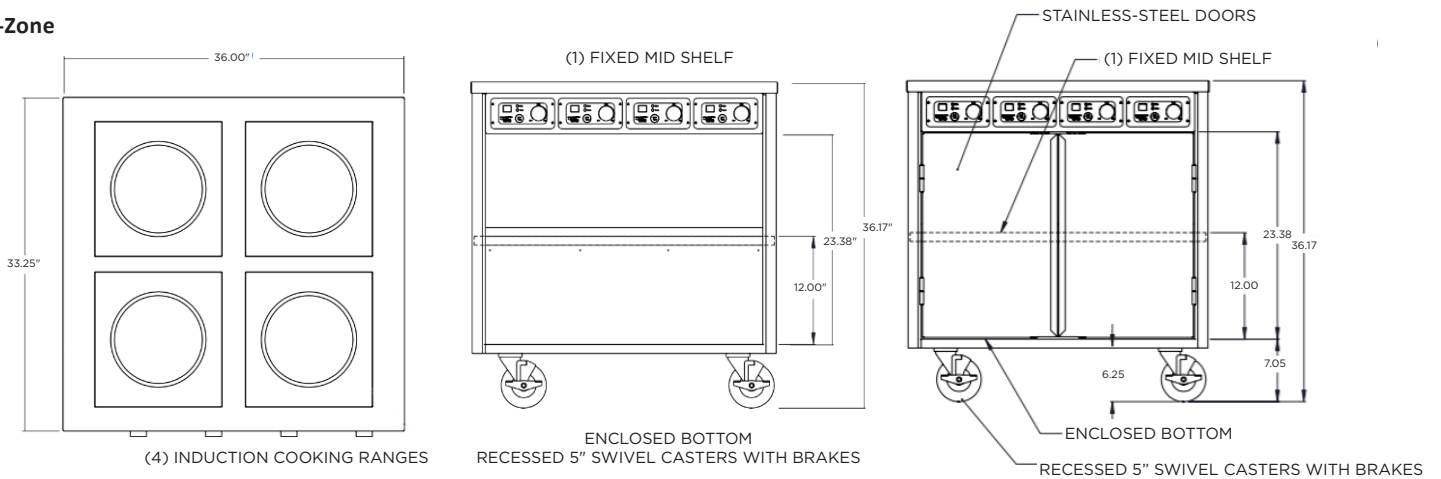


Features:

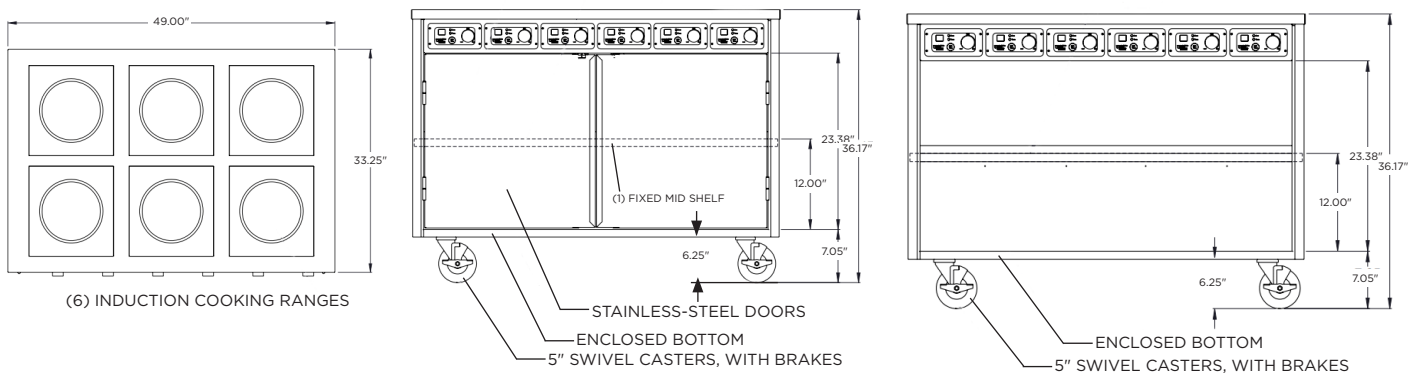
- 304 Stainless Steel Welded Construction
- 304 Series Stainless Steel Top & Exterior
- (1) Fix Mid Shelf
- Durable, easy to clean stainless steel body
- Individually mounted controls in apron
- Knurled knob for better grip & control
- Durable, 5" stainless-steel backsplash
- Interior power management
- Optional stainless steel doors with pocket handles
- Recessed 5" Swivel Casters with Brakes
- Made in the US of domestic and imported products

Key Dimensions:

4-Zone



6-Zone



Electric Requirements:

Each BOH Series Flameless Cooking Induction Cart comes with its own Power Management System, powering the entire unit with a single receptacle, eliminating the need for multiple receptacles at various voltages.

Power Management Details:

| MODEL | WATTS | VOLTAGE | PHASE | HERTZ | AMPS | PLUG | SYSTEM |
|--------------|---------|---------|-------|-------|------|----------------|------------|
| BOH-1800C | 1800 x4 | 110-120 | 1 | 60 | 15 | NEMA 14-50P | PM-2251 |
| BOH-1800DC | | | | | | | |
| BOH-1800C-6 | | | | | | | |
| BOH-1800DC-6 | | | | | | | |
| BOH-2600C | 2600 x4 | 208-240 | 1 | 60 | 15 | NEMA 14-50P | PM-2221 |
| BOH-2600DC | | | | | | | |
| BOH-2600C-6 | | | | | | | |
| BOH-2600DC-6 | | | | | | | |
| BOH-3500C | 3500 x4 | 208-240 | 1 | 50-60 | 16.8 | NEMA 14-50P x2 | PM-2251 x2 |
| BOH-3500DC | | | | | | | |
| BOH-3500C-6 | | | | | | | |
| BOH-3500DC-6 | | | | | | | |