

Glastender®

A family company manufacturing in the USA

www.glastender.com



C2FB60
with compressor left,
stainless steel doors,
and top



Intertek

EP 5016978

Energy Performance Verified
/ Rendement Énergétique
Véifié



Intertek

4004503

Conforms to NSF/ANSI STD 7 & UL STD 471
Certified to CSA STD C22.2 No. 120
Listed to NSF Standard 7
for closed container products



Intertek

Standard Features

- Self-contained
- Stainless steel interior
- Locking door(s)
- LED interior lighting
- Heated mullion to minimize condensation
- Evaporator above compressor compartment to maximize storage capacity

Project: _____	AIA# _____
Item #: _____ Qty: _____	SIS# _____
Model #: _____	

Coolers, Two Zone, Front Serviced, Bar Profile

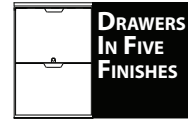
C2FB

C2FB52, C2FB60, C2FB72,
C2FB84, C2FB92, C2FB108

CONFIGURATION HIGHLIGHTS



**DOORS
IN NINE
FINISHES**



**DRAWERS
IN FIVE
FINISHES**



**DRAFT
BEVERAGE
COMPATIBLE**

Configurable Options

Temperature:

- Beer/White wine -
34°F to 40°F / 50°F to 55°F
- Beer/Red wine -
34°F to 40°F / 60°F to 65°F
- White/Red wine -
50°F to 55°F / 60°F to 65°F

Refrigeration Compartment Location:

- Left or Right

Refrigeration Compartment Cover Finish:

- Black vinyl-clad
- Stainless steel
- Jeweled stainless
- Laminated
- Unlaminated

Door Style & Finish:

- Black vinyl-clad
- Stainless steel
- Jeweled stainless
- Laminated
- Unlaminated
- Glass, black vinyl-clad
- Glass, stainless steel
- Glass, jeweled stainless
- Glass, laminated

Drawer Style & Finish:

- Black vinyl-clad
- Stainless steel
- Jeweled stainless
- Laminated
- Unlaminated

Door Hinge Location (*specify for each door*):

- Left or Right

Door Handle:

- Signature (drawers excluded)
- Pull-tab
- Tube

Shelving (*specify per door section*):

- Three adjustable, coated-wire shelves
- Keg rack
- Pull-out wine shelves:
 - » one upright and three horizontal storage combination
 - » two upright storage
 - » six horizontal storage (*not available for the door next to the compressor compartment.*)

Top Style:

- No finished top
- Stainless top
- Laminated top

Left and Right Side Finish:

- Black vinyl-clad
- Stainless steel
- Laminated

Back Finish:

- Galvanized steel
- Stainless steel

LED Lighting Style:

- Bright white (7,000k)
- Warm white (3,500k)
- Amber (2,700k)
- Blue

See page 4 for direct draw draft
beverage towers and accessories

Glastender, Inc. • 5400 N Michigan Rd • Saginaw, MI • 48604-9780
989.752.4275 • 800.748.0423 • Fax 989.752.4444
www.glastender.com

Approval/Notes:

Specifications subject to change without notice. For current specifications please visit our website.

Coolers - Two Zone, Front Serviced, Bar Profile

Specifications

		C2FB52	C2FB60	C2FB72	C2FB84	C2FB92	C2FB108
Dimensions	Length	52"	60"	72"	84"	92"	108"
	Number of Sections	2	2	3	3	4	4
	Door Opening	16"	20"	16"	20"	16"	20"
Electrical	Electrical Supply	120V, 1 phase, 60 Hz, dedicated 15A circuit required					
	Full Load Amps	3.5		7			
	Plug Type	8 foot NEMA 5-15P grounded cord and plug which exits the back of refrigeration compartment*					
Refrigeration	Refrigerant	R290 - 125 grams, 4.41 oz., 0.28 pounds					
	Compressor	Reciprocating, 1/6 HP, 1,300 BTUH, 0.11 Tons		Reciprocating, 1/4 HP, 2200 BTUH, 0.18 Tons			
	Heat Rejection	1430 BTUH		2867 BTUH			
Operating Range		Beer (next to compressor): 34°F, White wine: 50° to 55°, Red wine: 60° to 65°F					
Plumbing		Automatic condensate evaporator; no drain connection required					
Weight Bearing Capacity		Countertops and other accessories should not exceed 500 pounds per door					

Materials

- Stainless steel parts include: exterior sub-top, interior, front of cabinet, hinges, hinge and lock brackets, and optional legs
- Black vinyl-clad steel parts include: standard sides, doors and compressor cover
- Galvanized steel parts include: back and bottom
- Zinc plated CR steel parts include: leg sockets



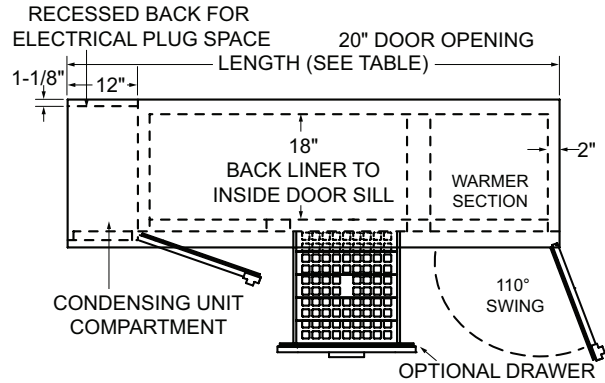
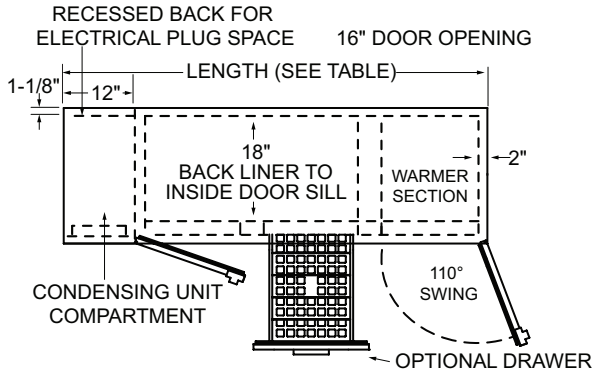
Capacities

		C2FB52	C2FB60	C2FB72	C2FB84	C2FB92	C2FB108
12 oz. bottles, cases		13.3	17.3	21.1	27.1	28.8	36.8
750ml wine bottles		127	160	216	258	305	360
1/2 barrel kegs		N/A	2	N/A	3	N/A	5
1/6 barrel kegs		7	8	11	14	15	18
Capacity values below are per door/drawer section (750ml wine bottles)							
Next to compressor	Drawers	48	72	48	72	48	72
	Upright pull-out	48	72	48	72	48	72
	Horizontal pull-out	N/A	N/A	N/A	N/A	N/A	N/A
	Combination pull-out	42	54	42	54	42	54
Not next to compressor	Drawers	48	72	48	72	48	72
	Upright pull-out	48	72	48	72	48	72
	Horizontal pull-out	36	48	36	48	36	48
	Combination pull-out	42	60	42	60	42	60

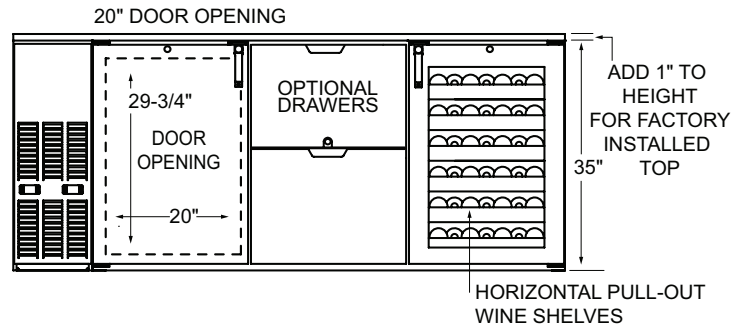
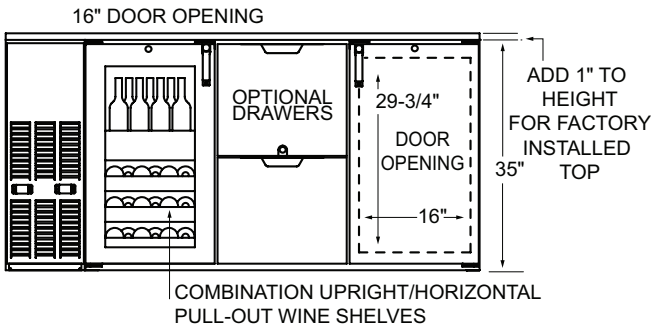
Coolers - Two Zone, Front Serviced, Bar Profile

Drawings

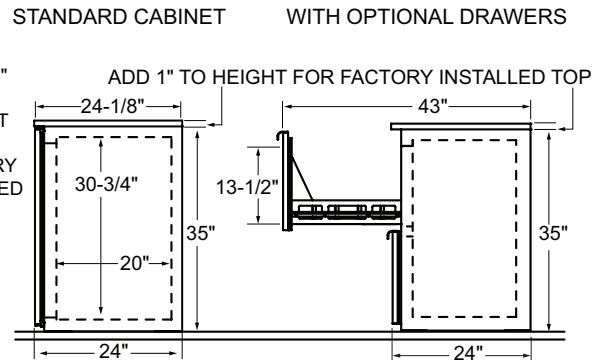
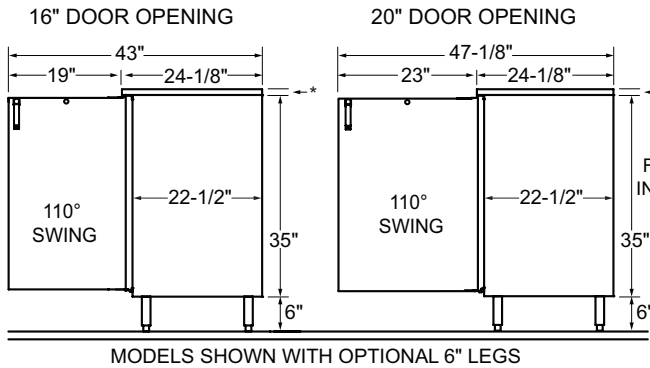
PLAN VIEWS



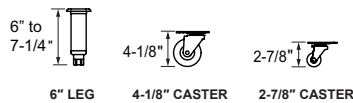
FRONT VIEWS



SIDE VIEWS



OPTIONAL LEGS AND CASTERS



Configuring Bar Profile Coolers for Draft Beverage Dispensing

All Glastender bar profile coolers can be configured for draft beverage dispensing. Please note that a minimum 17" wide door opening is required for full size (i.e., 16" diameter) 1/2 barrel kegs. Refer to the capacity statements in the Product Directory or Specification Sheet for the sizes and quantities of kegs each unit will hold.

Direct Draw Draft Beverage Towers

Glastender Beverage Towers come standard with the stainless steel faucets and shanks necessary to dispense keg beer, wine, soda, coffee, or cocktails. See individual spec pages for complete information.

Look for the Draft Beer Compatible logo



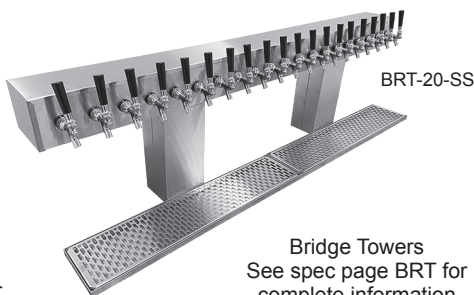
CT-3-SS

Column Towers
See spec page CT for complete information



BT-4-SS

Tee Towers
See spec page BT for complete information



BRT-20-SS

Bridge Towers
See spec page BRT for complete information



CBT-4-MF

Cobra Towers
See spec page CBT for complete information

Tower Cooling Kits

Direct draw beverage towers are chilled by air from inside the host cooler. This is especially important for draft beer, as warm faucets cause the beer to foam.

TOWER COOLING KITS

MODEL	DESCRIPTION	WGT
TCK12-1	For 1 & 2-door coolers w/ one tower column	3#
TCK12-2	For 1 & 2-door coolers w/ two tower columns	6#
TCK34-1	For 3 & 4-door coolers w/ one tower column	8#
TCK34-2	For 3 & 4-door coolers w/ two tower columns	11#
TCKR-1	For remote coolers w/ one tower column	3#
TCKR-2	For remote coolers w/ two tower columns	6#

PRIMARY REGULATOR KITS

Primary regulators are used to step down the CO₂ or nitrogen pressure from the main source. A tank mount CO₂ primary regulator attaches directly to the CO₂ tank. A bulk or in-line CO₂ primary regulator is used to splice into a CO₂ line when the CO₂ tank is shared by more than one system. A tank mount nitrogen primary regulator is used with pre-blended nitrogen and CO₂ or pure nitrogen gas. Each primary regulator kit includes 50 feet of nylon braided hose.

MODEL	DESCRIPTION	WGT
PRK-TC	Tank mount CO ₂ primary regulator kit	15#
PRK-BC	Bulk CO ₂ primary regulator kit	15#
PRK-TN	Tank mount nitrogen primary regulator kit	15#

SECONDARY REGULATOR KITS

The REG-CO2-LP1 secondary regulator kit is normally mounted inside the direct draw cooler and connects to the gas line coming from the externally mounted primary regulator. For installations with more than one keg on tap, also order the appropriate manifold kit(s). When no external source of CO₂ is available, a 5 pound CO₂ cylinder may be stored inside the cooler, which will require the REG-CO2-HP regulator. A manifold kit will also be required if there is more than one keg on tap.

MODEL	DESCRIPTION	WGT
REG-CO2-LP1	Secondary regulator kit	7#
REG-CO2-HP	Primary regulator kit for use with 5# CO ₂ tank	7#
MAN2	Two product manifold kit	2#
MAN3	Three product manifold kit	3#
MAN4	Four product manifold kit	4#
MAN5	Five product manifold kit	5#
MAN6	Six product manifold kit	6#

ADDITIONAL ACCESSORIES

MODEL	DESCRIPTION	WGT
03004240	1/2" ID black drain line, per foot	N/A
05000400	5/16" ID red vinyl air line, per foot	N/A
05000386	1/4" ID nylon braided air line, per foot	N/A
05001066	Sanke keg tap, stainless steel probe	2#
05001026	Sanke keg tap, low profile	2#
05002019	U system keg coupler w/ss probe for Guinness and Harp	2#
05000368	Lock for beer faucet	2#
05000636	5# CO ₂ tank (unfilled)	15#
LCK	Line cleaning kit	
06007084	Drain bottle	

