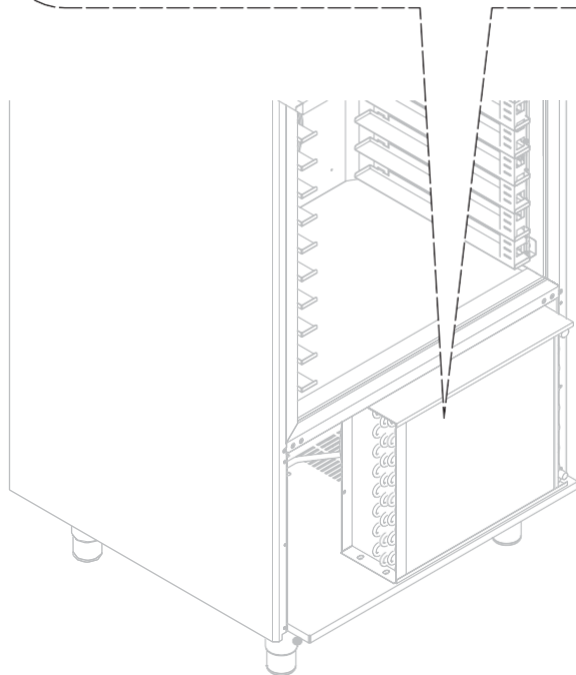


100



POS.	CODE	AMPTO CODE	DESCRIPTION
1	80,001,001	RGMM0001	Hinge pin
2	80,003,049	RGMM0021	Door gasket
3	80,006,129	RGMM0050	Door
4	80,005,011	RGMM0047	"Spring-pivot" hinge
5	80,001,159	RGMM0002	Door hinge
6	80,001,165	RGMM0004	Control panel
7	80,008,565	RGMM0054	2" foot
8	80,004,283	RGMM0041	Frame heating cable
21	80,008,887	RGMM0058	Probe
22	80,002,207	RGMM0019	Eart probe
23	80,002,121	RGMM0015	Evaporator
24	80,008,887	RGMM0058	Evaporator probe
25	80,004,147	RGMM0026	Axial motor fan
27	80,008,795	RGMM0056	Door switch
28	80,004,149	RGMM0027	electronic board
29	80,005,045	RGMM0048	Screen-printing
30	80,004,301	RGMM0046	Shaft switch
31	80,004,195	RGMM0032	1C Relay with contactor
32	80,008,873	RGMM0057	2C Relay
35	80,004,279	RGMM0039	UL single-phase electric kit
100	80,004,285	RGMM0042	Condensing Units (230V-R449)
101	80,004,259	RGMM0036	Fan motor with blade
102	80,002,021	RGMM0009	Condenser
103	80,004,225	RGMM0033	Compressor
104	80,004,188	RGMM0031	Compressor oil heating element
105	80,004,155	RGMM0029	Safety pressostat
106	80,004,281	RGMM0040	Compress. Thermal protection
107	80,009,231	RGMM0061	Thermostat valve TS-2
108	80,007,715	RGMM0053	Valve nut
109	80,002,011	RGMM0005	02 Orifice
110	80,002,117	RGMM0013	Antivibration gas delivery
111	80,002,037	RGMM0010	Antivibration for gas suction
112	80,004,057	RGMM0024	Solenoid valve
113	80,002,125	RGMM0017	Drier filter
114	80,002,123	RGMM0016	Liquid receiver
115	80,002,111	RGMM0012	280°F Circuit fuse cup