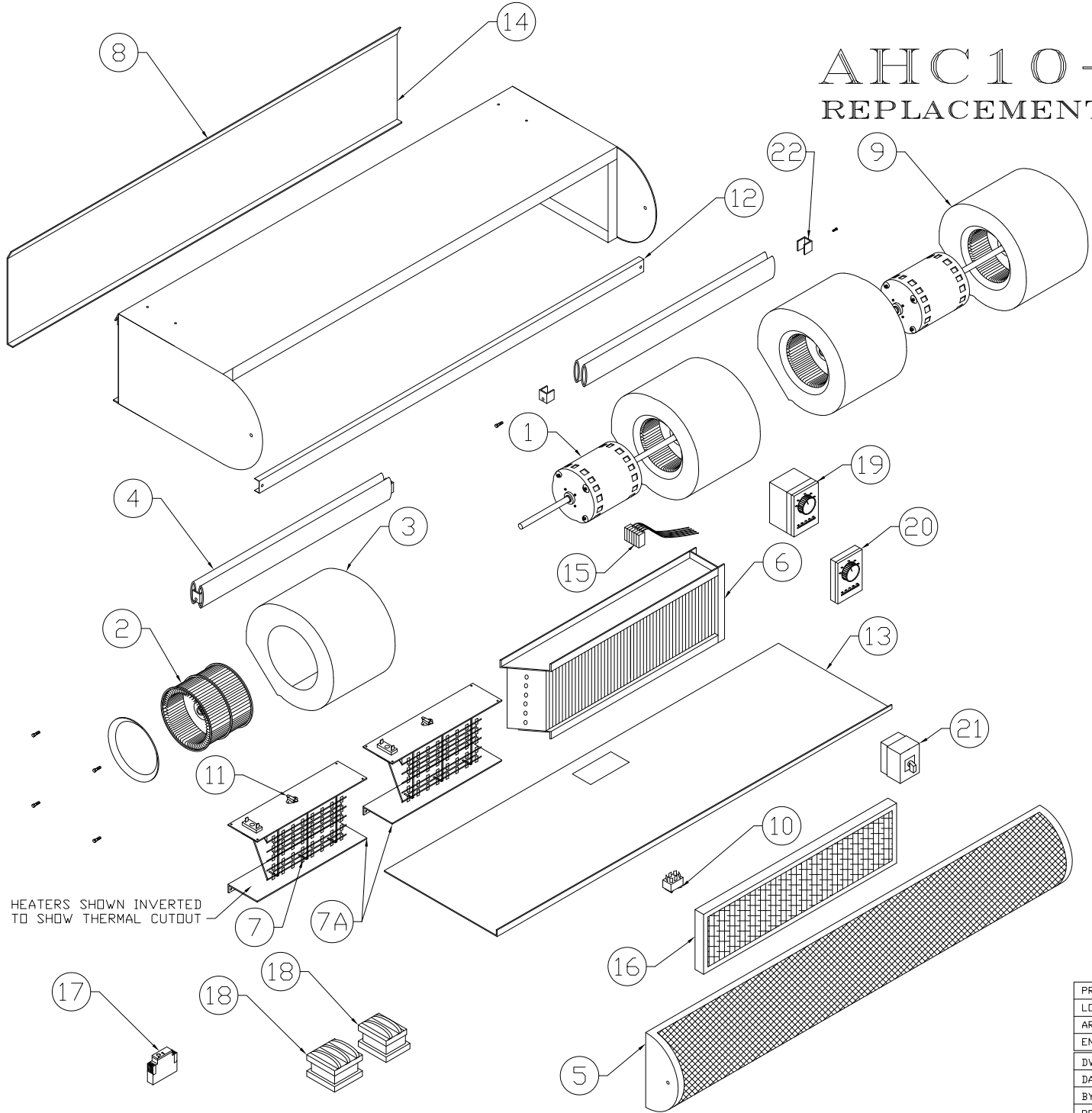


AHC10-RP REPLACEMENT PARTS



HEATERS SHOWN INVERTED TO SHOW THERMAL CUTOFF

SHEET 1 OF 2

PROJECT		
LOCATION		
ARCHITECT		
ENGINEER		REV. -
DWG. NO.	AHC10-RP	TITLE: BERNER
DATE	11NOV14	MODEL AHC10 AIR CURTAIN
BY	S. Beil	REPLACEMENT PARTS
REPLACES	-	BERNER INTERNATIONAL CORP. NEW CASTLE, PA.
BY	-	

AHC10-RP REPLACEMENT PARTS

ITEM	DESCRIPTION	PART #
1	MOTOR, 1/2 HP, (120V, 1 PH)	011F2048F4X18A
1	MOTOR, 1/2 HP, (208/230V, 1 PH)	011F2048F4X18B
1	MOTOR, 1/3 HP, (480V, 1 PH)	011F3048F2X18H
2	BLOWER WHEEL ONLY	0204063112L
3	BLOWER HOUSING ONLY	04M631G-L
4	OUTLET NOZZLE VANE ASSEMBLY (specify vane length - inches)	06ALM516ARF-121
5	INLET GRILL ASSEMBLY (specify length - inches)	08MK2***ISA
6	STEAM/HOT WATER COIL (specify length - inches)	10S***09F108S
7	ELEC. HEATER ELEM. (specify kw/voltage)	11MK2****
8	VIBRATION STRIP (specify length - inches)	21UCHNL
9	BLOWER ASSEMBLY - LEFT HAND	29B631M012G-L
10	ROCKER SWITCH, SNGL-20A, BEZEL MNT, (HIGH-MED-LOW)	33A020B-ST
10	ROCKER SWITCH, SNGL-20A, BEZEL MNT, (FAN-OFF-FAN/HEAT)	33A020B-DD
10	ROCKER SWITCH, SNGL-20A, BEZEL MNT, (FAN ON/OFF)	33A020B-DS
11	THERMAL CUT OUT	36A140-110-90
12	CROSSBAR (specify length - inches)	40MK2***CB
13	BOTTOM ACCESS COVER (specify length - inches)	40MK2***BAC
14	BACK PLATE ONLY (specify length - inches)	40MK-***WMP
15	MOTOR WIRING HARNESS, 1/2 HP, (115/230V)	505WH115ARA
15	MOTOR WIRING HARNESS, 1/3 HP, (480V)	505WH230LWA
16	FILTERS (specify length - inches)	80MK29**01TA
17	TIME DELAY (24V TO 250V)	9009KDL312
18	CONTACTOR 20 AMP 2 POLE, (24V)	9010DP20A2P24V
18	CONTACTOR 40 AMP 3 POLE, (24V)	9010DP40A3P24V
18	CONTACTOR 40 AMP 3 POLE, (120V)	9010DP40A3P120
18	CONTACTOR 40 AMP 3 POLE, (208V)	9010DP40A3P208
18	CONTACTOR 15 AMP 4 POLE, (480V)	9010IEC15A4P480
19	BUILT IN THERMOSTAT	9502DS2T-P-BI
20	REMOTE THERMOSTAT	9502DS2T-P
21	7 POS. REMOTE SEL. SWITCH (FAN & HEAT)	9505T324826
21	4 POS. REMOTE SEL. SWITCH (HI/MED/LOW/OFF)	9505T324960
22	NOZZLE VANE CLIP	40GEN-NVC

**** SPECIFY KW & VOLTAGE
 *** SPECIFY LENGTH (IN INCHES)
 ** SPECIFY LENGTH (IN INCHES)

SHEET 2 OF 2

PROJECT		
LOCATION		
ARCHITECT		
ENGINEER		REV. -
DWG. NO.	AHC10-RP	TITLE: BERNER MODEL AHC10 AIR CURTAIN REPLACEMENT PARTS
DATE	11NOV14	
BY	S. Beil	
REPLACES	-	BERNER INTERNATIONAL CORP. NEW CASTLE, PA.
BY	-	