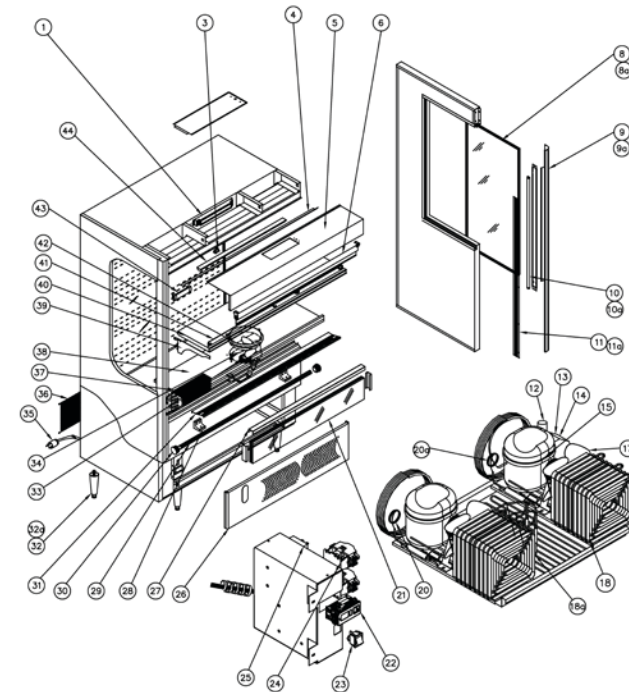


ALPA-77 Parts and Descriptions

Item #	Part #	Description
1	301007009	LED Driver Module, 12 VDC, 35W, Cleanlife, ALPA / RDCH
3	100412001	Switch, Rocker, Single Pole, Lights
4	101530062	Panel Cover, Header (ALPA-55/77 G2)
5	103142003	Header Panel ALPA-55/77
6	201182012	Night Curtain, PET Material, Clear (ALPA-55/77 G2)
8	183570003	Glass Pack, Rt. Side (ALPA-77/120)
8a	183570004	Glass Pack, Lt. Side, Vertical (ALPA-77/120 G2)
9	183200001	Cover, Corner Post, Right FACING, Manufactured, Version 3 (ALPA-77/120 G2)
9a	183200000	Cover, Corner Post, Left FACING, Manufactured, Version 3 (ALPA-77/120 G2)
10	300396058	LED Light Bar, 40", 12 VDC, 9W, 6250K, ALPA / NBH
10a	300396058	LED Light Bar, 40", 12 VDC, 9W, 6250K, ALPA / NBH
11	103089003	Lens Cover, Vertical, Left (ALPA-77/120)
11a	103089002	Lens Cover, Vertical, Right (ALPA-77/120)
12	100517032	Start Capacitor, Embraco, FFU100HAK
13	100516041	Start Relay, Embraco, FFU100HAK
14	100515040	Thermal Overload, Embraco, FFU100HAK
15	100397040	Compressor, Embraco, FFU100HAK
16	300362008	Electronic Temp Control, AKO-D14120 (3 Button)
17	100436011	Fan Blade, 8" Diameter, 28 Deg
18	181496006	Condenser Coil, System #1, Right (ALPA-77 G2)
18a	181496007	Condenser Coil, System #2, Left (ALPA-77 G2)
20	100417066	Capillary Tube (R. Side), .054" x 16' (ALPA-77 G2)
20a	100417046	Capillary Tube (L. Side), .054" x 14' (ALPA-77 G2)
21	300059012	Glass Pack, Horizontal, Front (ALPA-55/77 G2)
22	300362008	Electronic Temp Control, AKO-D14120 (3 Button)
23	100595005	Cherry YR Rocker Switch, To Be Used w/ Version 4 Control Box, ALPA-All
24	200664014	CONTACTOR EATON C25BNB230A
25	300036001	Time Delay on Make w/ Dip Switch, To Be Used w/ Version 4 Control Box, ALPA-77/99/120 G2
26	101753010	Grill, Front, Gen 2, Horizontal Window (ALPA-77 G2)
27	103185007	Molding, Horizontal (ALPA-55/77 G2)
28	103013000	Bracket, Bumper Support
29	103011005	Bumper Tube and accessories Kit (ALPA-55/77 G2)
30	300376000	Bumper Cap (ALPA-55/77/120 G2)
31	101739012	Grill, Return Air, Bottom, Slotted (ALPA-55/77)
32	300266000	Leveler Leg, Stainless 6" (ALPA-55/77/120 G2 & Venus)
32a	181460001	Leveler Leg, Pod, Black 2" (Venus)
33	100512001	Thermometer (OED)
34	100436011	Fan Blade, 8" Diameter, 28 Deg

Item #	Part #	Description
35	100388026	Power Cord, 3.5 Meter, To Be Used w/ Version 4 Control Box, ALPA-77/99/120 G2
36	300196001	Grill, Rear (ALPA-55/77 G2 / RVP-500)
37	180207001	Evaporator, Coil (ALPA-55/77 G2)
38	181510007	Cover, Evaporator Area (ALPA-55/77)
39	102803000	Shelf Bracket (ALPA-Except 48)
40	183340002	Shelf Assembly ALPA 55/77 includes 2 brackets
41	102938002	Product Stop, Lexan (ALPA-55/77 G2) Rev. D
42	100195000	Fan Blade Guard (BGR)
43	100512002	Thermometer w/ Magnetic anchor, Texas Tamale Assembly
44	300396056	LED Light Bar, 20", 12 VDC, 5W, 6250K, ALPA / NBH



460 Southport Commerce Blvd.
Spartanburg SC 29306
Phone: 864-574-6004
Fax: 864-574-6005
www.ojedausa.com
sales@ojedausa.com