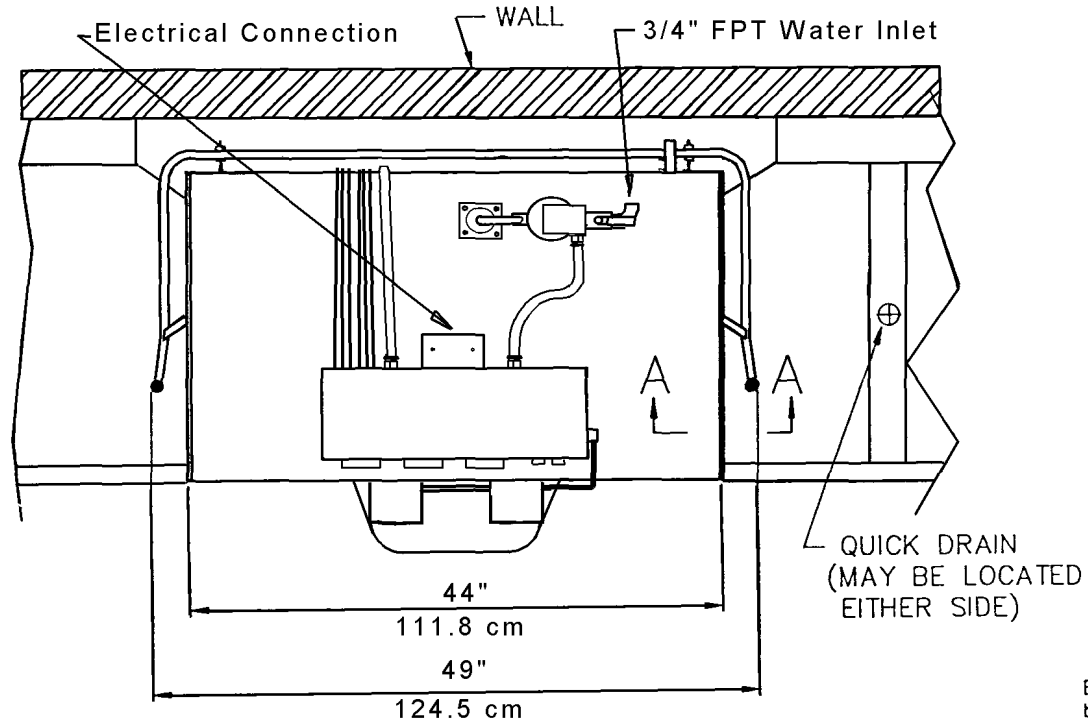
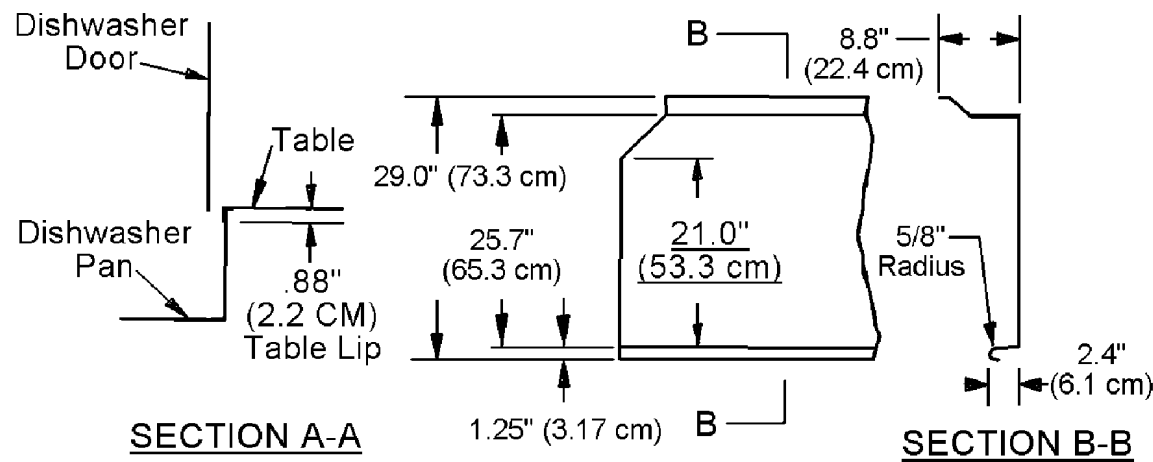


**American Dish Service**  
Manufacturers of Ware Washing Equipment

## Model 5AG-S Specifications



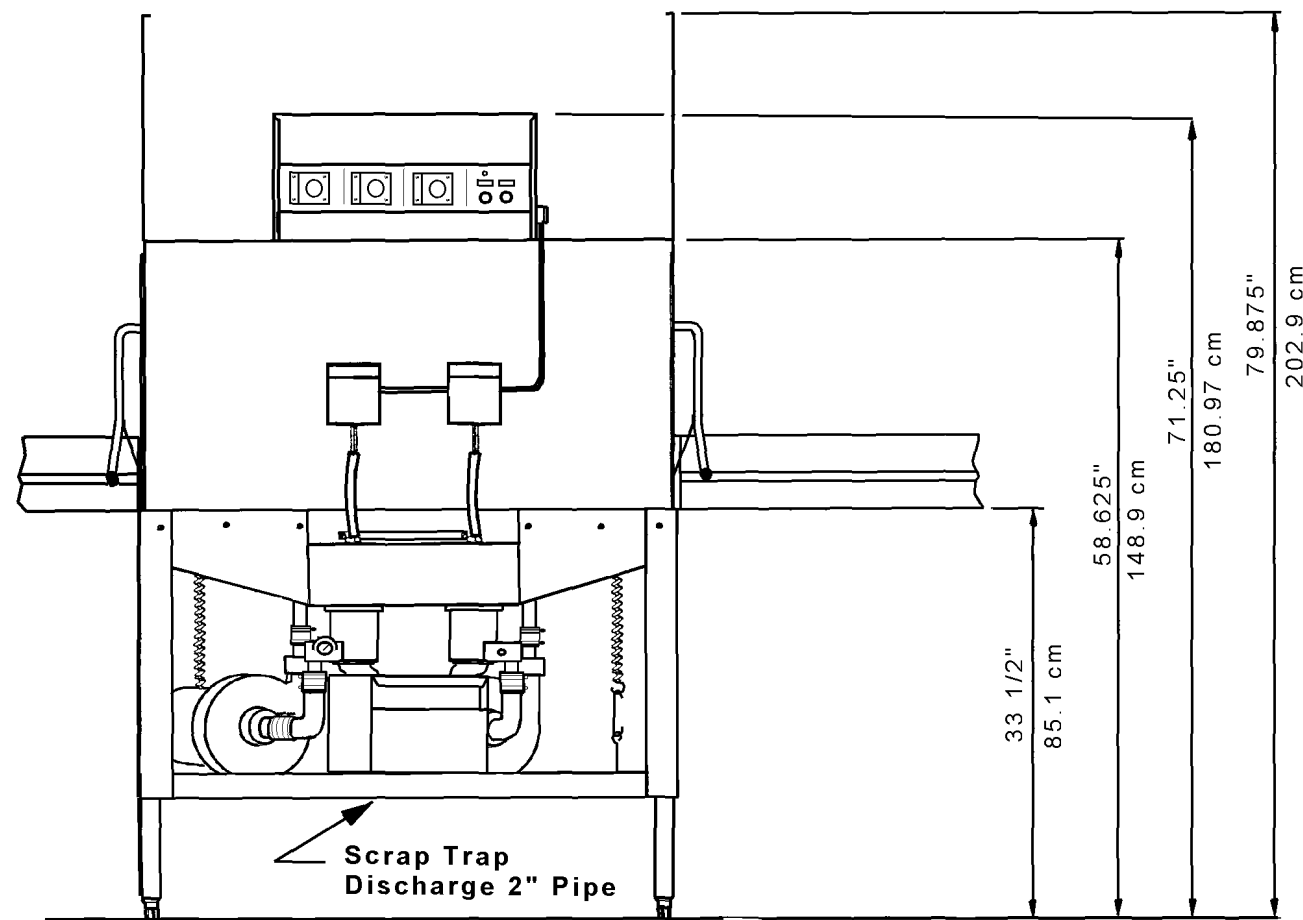
**TOP VIEW**



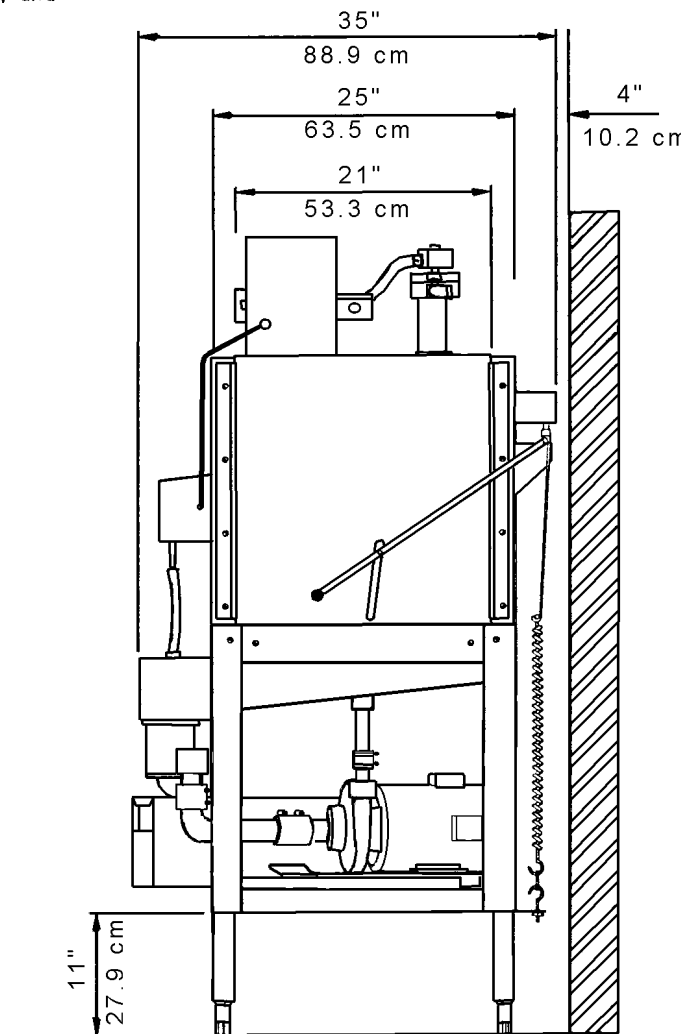
**TOP VIEW**  
TYPICAL TABLE DETAILS

**CAUTION:**

Electrical and plumbing connections should be made by a qualified Service Person who will comply with all available federal, state, and local Health, Electrical, Plumbing, and Safety codes.



**FRONT VIEW**



**SIDE VIEW**

**Models**  
5AGS 5S 5AHS

|                                           | 5AGS | 5S  | 5AHS |
|-------------------------------------------|------|-----|------|
| <b>RATED CAPACITY</b><br>(Racks Per Hour) | 74   | 56  | 46   |
| <b>WASH TIME (Sec.)</b>                   | 45   | 60  | 75   |
| <b>RINSE TIME (Sec.)</b>                  | 30   | 45  | 60   |
| <b>DWELL (Sec.)</b>                       | 15   | 15  | 15   |
| <b>TOTAL CYCLE TIME (Sec.)</b>            | 90   | 120 | 150  |

|                                  |                                                |  |  |
|----------------------------------|------------------------------------------------|--|--|
| <b>WASH TANK CAPACITY (Min.)</b> | 3.2 Gallons<br>12.1 Liters                     |  |  |
| <b>WATER TEMPERATURE</b>         | 120 Deg. F Min.<br>49 Deg. C Min.              |  |  |
| <b>WATER CONSUMPTION</b>         | 3.2 Gallons Per Cycle<br>12.1 Liters Per Cycle |  |  |
| <b>MOTOR (2)</b>                 | 1.5 HP<br>1.125 KW                             |  |  |
| <b>ELECTRICAL RATINGS</b>        | 115 Volts<br>Single Phase<br>26 Amps           |  |  |

Connect to two Supply Sources Using 12-10 AWG Copper Wire. Circuit Protection: 20 Amp Circuit Breaker or Fuse with a 20 Amp Rating.

OR  
Connect to Single Supply Source Using 8-6 AWG Copper Wire suitable for at least 75 Deg. C (167 Deg. F). Circuit Protection: 40 Amp Circuit Breaker or Fuse with a 40 Amp Rating.

|                                   |                                     |  |  |
|-----------------------------------|-------------------------------------|--|--|
| <b>RACK SIZE (2)</b>              | 19 3/4" x 19 3/4"<br>50.2 x 50.2 cm |  |  |
| <b>DOOR CLEARANCE</b>             | 20 1/2" x 21"<br>52.07 x 53 cm      |  |  |
| <b>WATER INLET</b>                | 3/4" FPT                            |  |  |
| <b>DRAIN (Scrap Trap)</b>         | 2" Pipe                             |  |  |
| <b>HEIGHT (Doors Open)</b>        | 79.875"                             |  |  |
| <b>HEIGHT (Doors Closed)</b>      | 71.25"                              |  |  |
| <b>WIDTH (Overall)</b>            | 49"                                 |  |  |
| <b>DEPTH (Overall)</b>            | 124.5 cm                            |  |  |
| <b>SHIPPING WEIGHT</b>            | 86.4 cm<br>408 lbs.                 |  |  |
| <b>SHIPPING VOLUME (Uncrated)</b> | 185 kg<br>64.16 cu ft.<br>1.82 cu m |  |  |

\*Manufacturer reserves the right to modify these specifications in compliance with regulatory agencies and manufacturing expediency