



American Dish Service
 Manufacturers of Ware Washing Equipment
 WWW.AMERICANDISH.COM

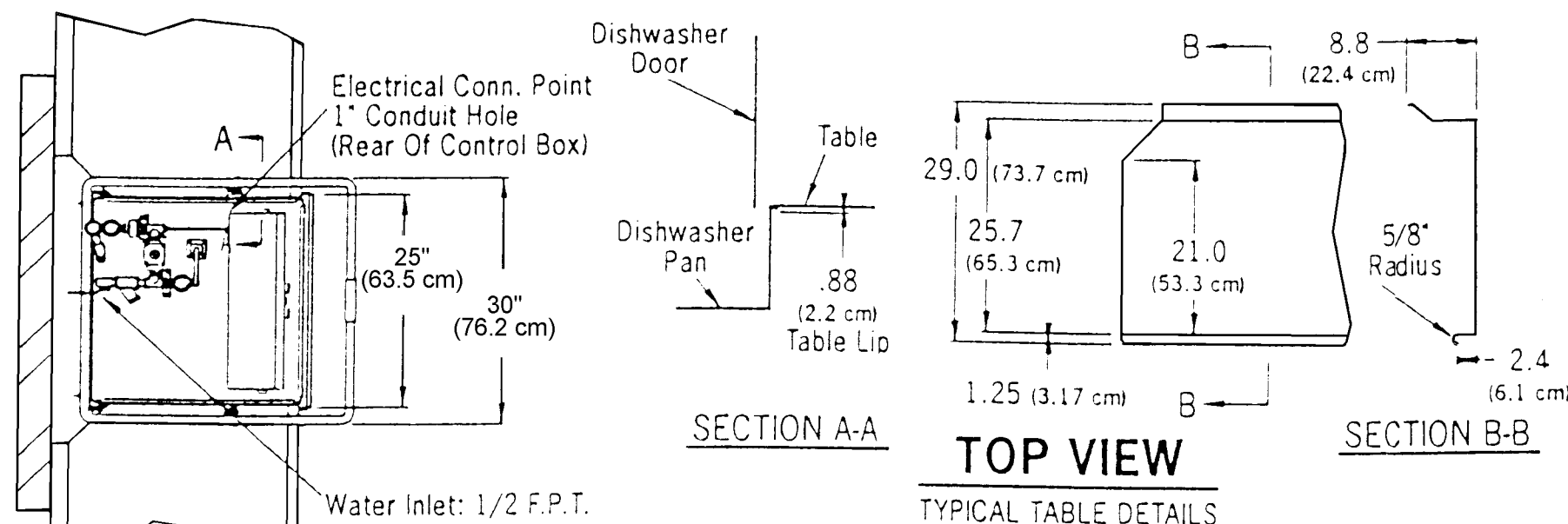
MODEL HT-25 SPECIFICATIONS

U.S. REGISTERED PATENTS

Rated Capacity (Racks/Hour)	72 NSF Rated
Wash Tank Capacity	11 Gal. (41.63 Liters)
Water Temperature, Wash	160° F. (71° C.)
Water Temperature, Rinse	180° F. (82.2° C.)
Water Consumption	0.85 Gallons/Rack (3.593 Liters/Rack)
Wash Motor	3 HP

Electrical Requirements	3PH, 208V, 60 Hz, 40 Amp NOTE: 3PH, requires 8 AWG phase wires, w/10 AWG Neutral Wire, and clean circuits with Ground. 1PH, 208/240V, 60 Hz, 60/30 Amp NOTE: 1PH, 60 Amp requires 6 AWG phase wires. 30 Amp requires 10 AWG phase wires w/10 AWG Neutral Wire, and clean circuits with Ground. NOTE: Call Factory for Requirements for Booster Heater.
-------------------------	--

Wash Heater	8KW
Rack Size	19-3/4" x 19-3/4" (50.2 cm x 50.2 cm)
Door Clearance	18" (45.72 cm)
Water Inlet (1)	1/2" F.P.T.
Drain	2" F.P.T.
Height (All Doors Closed)	74" (187.96 cm)
Width, Table to Table (Inline Model)	25" (63.5 cm)
Width w/ Scrap Accumulator (Overall)	37" (93.9 cm)
Depth (Overall)	33.5" (85.0 cm)
Shipping Weight	485 lbs. (219.9 kg.)
Shipping Volume	81.51 cu. feet

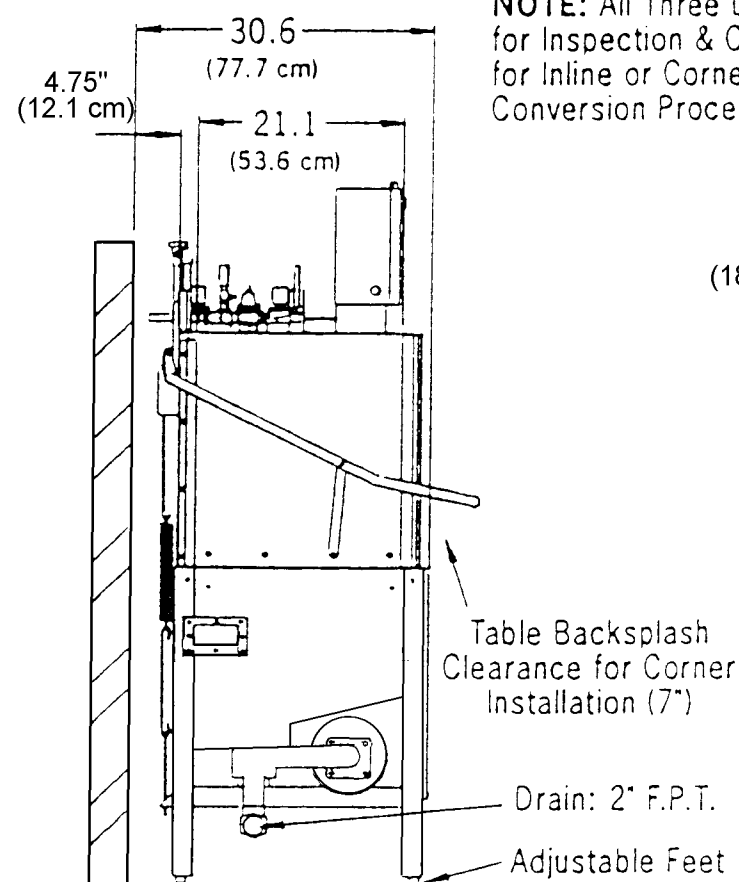


* Manufacturer reserves the right to modify these specifications in compliance with regulatory agencies and manufacturing expediency.

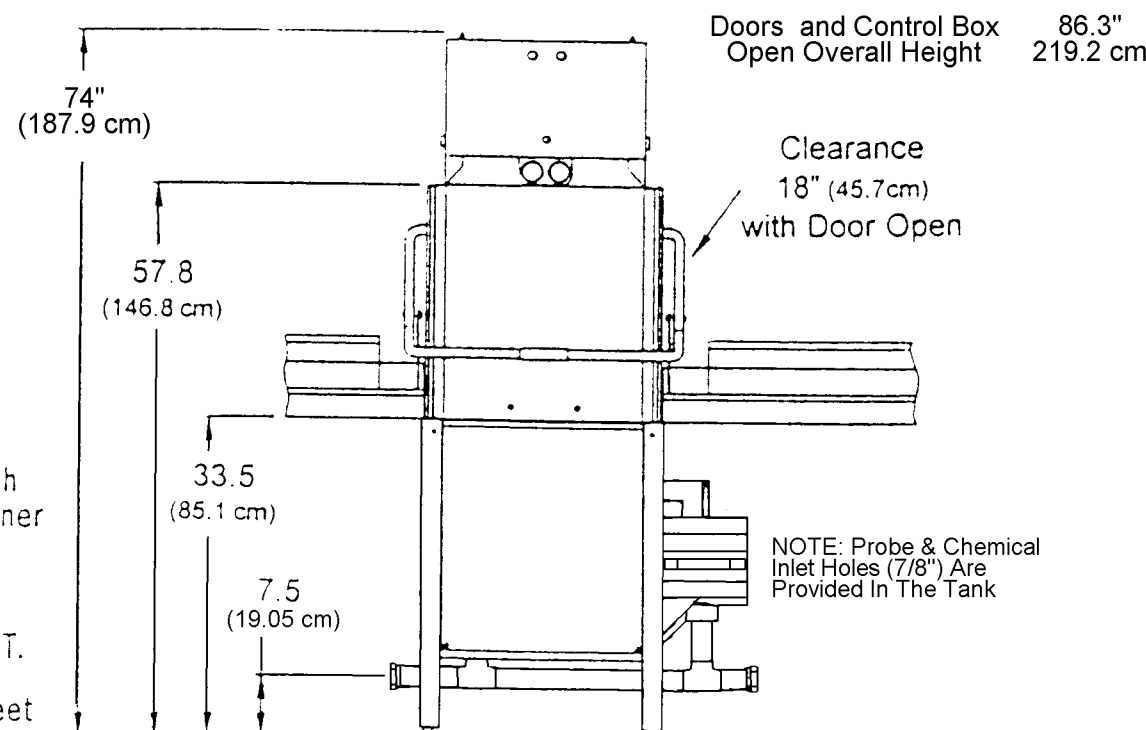
CAUTION:

Electrical and plumbing connections must be made by a qualified Service Person who will comply with all available federal, state, and local Health, Electrical, Plumbing, and Safety Codes.

NOTE: All Three Doors Open in Unison for Inspection & Cleaning Purposes and Allows for Inline or Corner Applications without Conversion Procedures.



SIDE VIEW



FRONT VIEW

NOTE: All dimensions listed have a tolerance of + or - 1/8" unless otherwise noted.