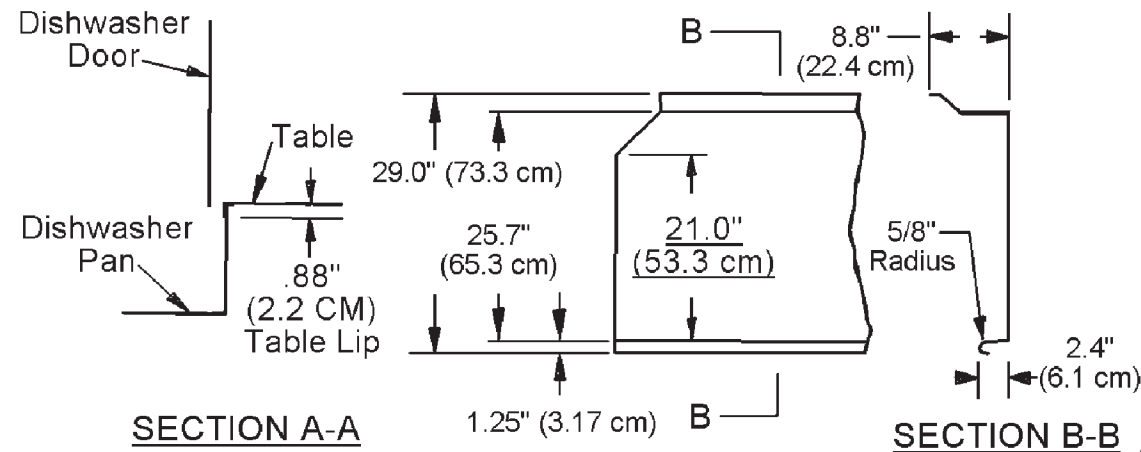


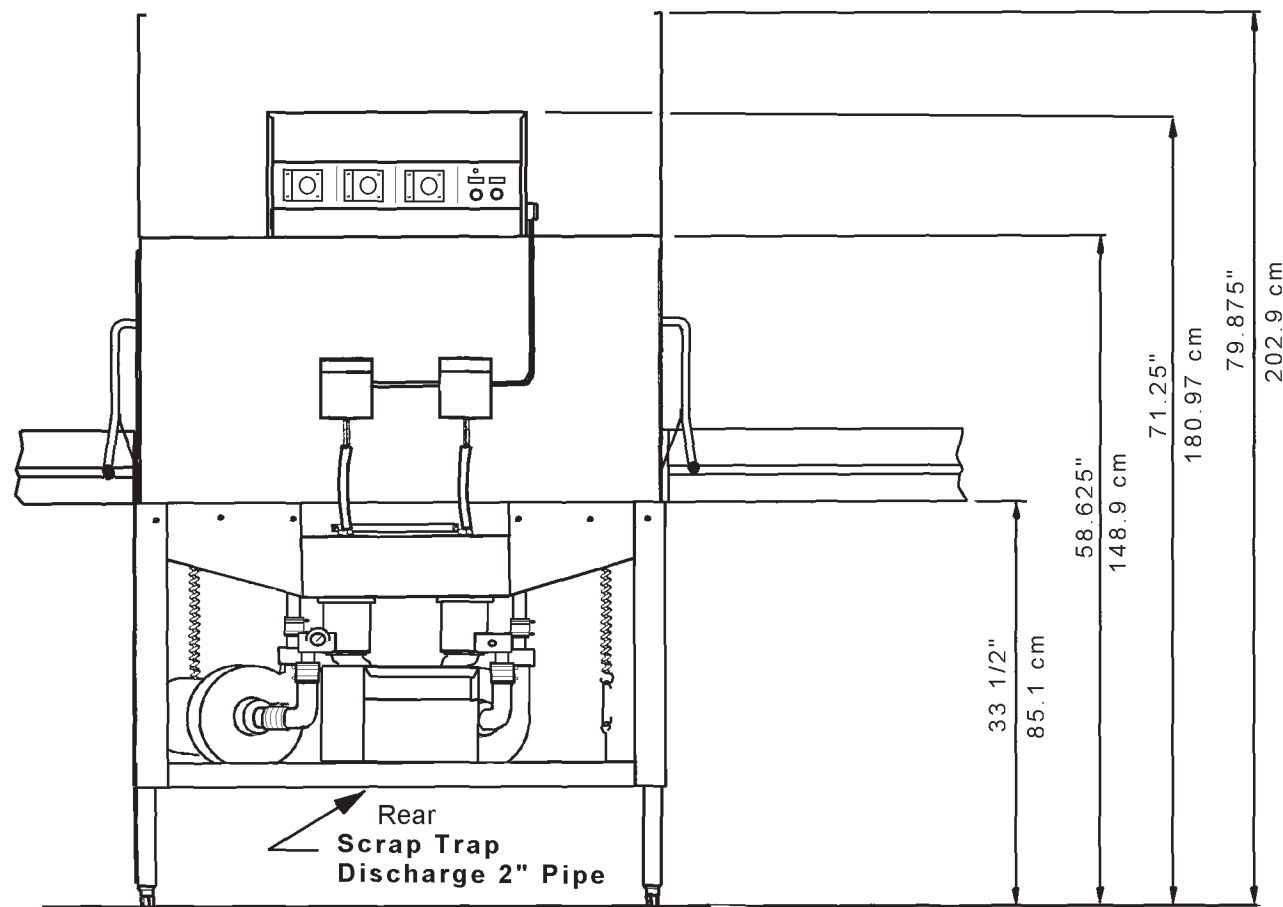
TOP VIEW



TOP VIEW
TYPICAL TABLE DETAILS

CAUTION:

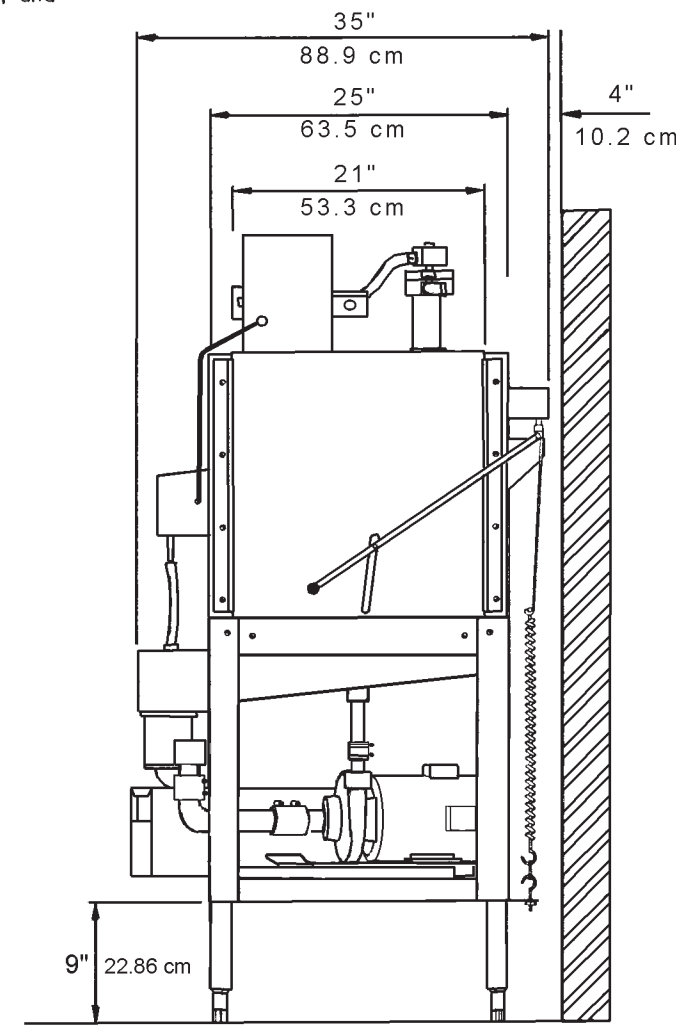
Electrical and plumbing connections should be made by a qualified Service Person who will comply with all available federal, state, and local Health, Electrical, Plumbing, and Safety codes.



FRONT VIEW

NOTE:

*Manufacturer reserves the right to modify these specifications in compliance with regulatory agencies and manufacturing expediency



SIDE VIEW



American Dish Service
Manufacturers of Ware Washing Equipment

Model 5AGES
Specifications



| | | | |
|--|----|-----|-----|
| RATED CAPACITY (Racks Per Hour) | 74 | 56 | 46 |
| WASH TIME (Sec.) | 50 | 60 | 75 |
| RINSE TIME (Sec.) | 7 | 45 | 60 |
| DWELL (Sec.) | | 15 | 15 |
| TOTAL CYCLE TIME (Sec.) | 90 | 120 | 150 |

| | |
|----------------------------------|------------------------|
| WASH TANK CAPACITY (Min.) | 1.78 Gallons |
| | 6.74 Liters |
| WATER TEMPERATURE | 120 Deg. F Min. |
| | 49 Deg. C Min. |
| WATER CONSUMPTION | 1.78 Gallons Per Cycle |
| | 6.74 Liters Per Cycle |
| MOTOR (2) | 1.0 HP |
| | .75 KW |
| ELECTRICAL RATINGS | 115 Volts |
| | 18 Amp Single Phase |

CONNECT TO ELECTRICAL SUPPLY SOURCE
Using 10-8 AWG Copper Wire
Circuit Protection: 30 AMP Circuit Breaker
or Fuse with a 30 AMP Rating

| | |
|-----------------------------------|-------------------|
| RACK SIZE (2) | 19 3/4" x 19 3/4" |
| | 50.2 x 50.2 cm |
| DOOR CLEARANCE | 20 1/2" x 21" |
| | 52.07 x 53 cm |
| WATER INLET | 3/4" FPT |
| DRAIN (Scrap Trap) | 2" Pipe |
| HEIGHT (Doors Open) | 79.875" |
| HEIGHT (Doors Closed) | 71.25" |
| WIDTH (Overall) | 49" |
| | 124.5 cm |
| DEPTH (Overall) | 34" |
| | 86.4 cm |
| SHIPPING WEIGHT | 408 lbs. |
| | 185 kg |
| SHIPPING VOLUME (Uncrated) | 64.16 cu ft. |
| | 1.82 cu m |