

# INSTRUCTION MANUAL

## JUICER - MODEL ES4EA-160001-W3

-**PLEASE** read these instructions carefully before operating this appliance.

### IMPORTANT

- This unit is designed to operate on alternative current (A.C.) only.
- DO NOT CONNECT TO DIRECT CURRENT (D.C.)**
- Do not leave unit in operation without an attendant.
- When not in use for long period unplug the appliance.

### INSTALLATION AND OPERATION

- Check if voltage of your power system corresponds to the same specified on the appliance label.
- Assembly the Unit Top(Bowl) on the Juicer.
- Place the desired juicer implement on the drive shaft (the large implement for orange and the small for lemon).
- Put the strainer in the juicer cup and position near the outlet of the unit top drain to catch the juice.
- Turn on the appliance switch and place the fruit (orange or lemon cut in half) on the spinning implement and carefully press down.
- To turn off the appliance turn off the switch.

### CLEANING PROCEDURE

- Immediately after having been used, to avoid change of juice taste, wash with water the juicer cups, strainer, implement and Unit Top (Bowl).
- Unplug Juicer and clean body and base, using only a damp cloth.
- Never use water jet or immerse appliance in water.
- Wipe off appliance with a dry cloth.

The pictures/drawings are illustrations. All data can be changed without notification.

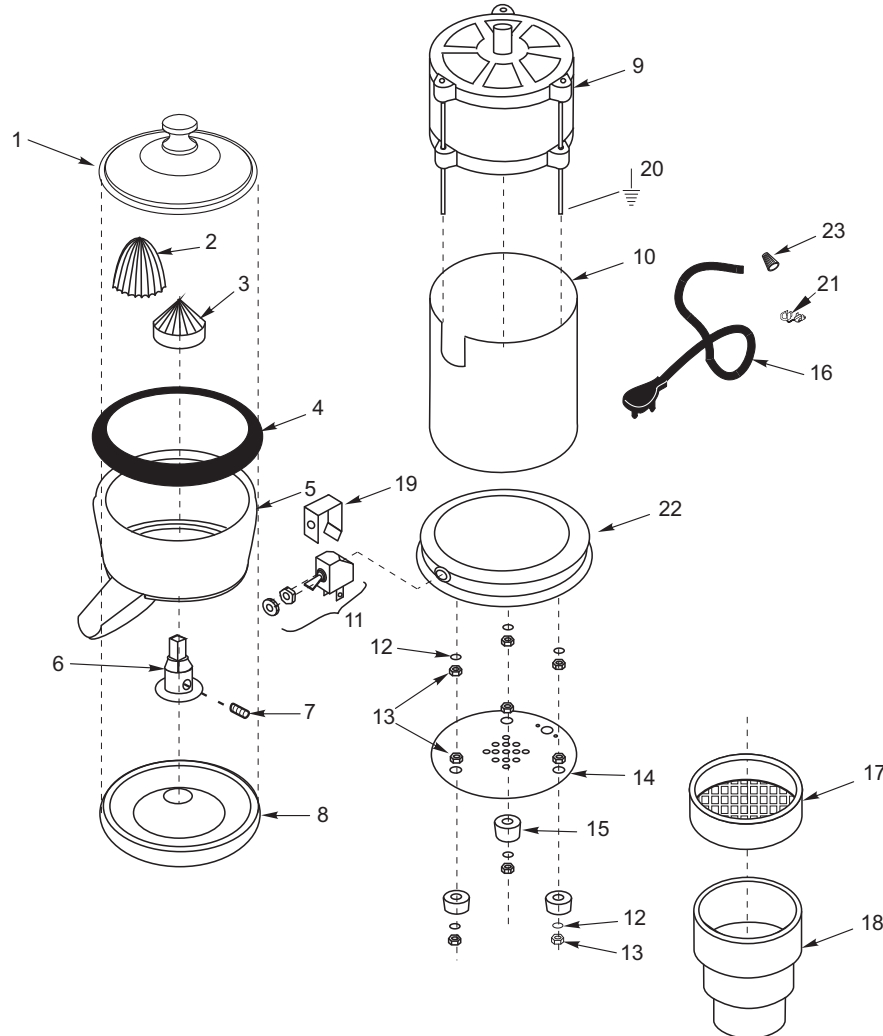


# ES4EA

ES4EA-160001-W3

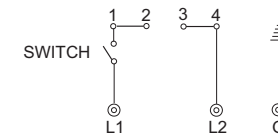


**AMERICA PARTS & TOOLS, INC**  
3705 NW, 115th Ave Unit 8  
Doral, FL 33178  
PH: +1-786-5369960  
email: [info@americapartstools.com](mailto:info@americapartstools.com)



Item	Code	Description
1	37.101-3	Lid
2	4.029-3	Orange Implement
3	4.028-3	Lemon Implement
4	4.064-3	Unit Top Protector
5	4.060-3	Unit Top (bowl)
6	4.006-3	Shaft
7	576	Screw
8	4.007-3	Motor Protection
9	4.204-3	Electric Motor
10	4.057-3	Body
11	262	Switch
12	643	Washer (3/16")
13	Under Consult	Nut
14	4.010-3	Bottom Cover Plate
15	4.306-3	Big Foot
16	2.082-3	Cord Connection (110V)
17	4.405-3	Strainer
18	4.406-3	Cup
19	4.067-3	Switch Protection
20	-----	Screw Ground
21	9.413-3	Cord Retainer
22	4.044-3	Foot
23	2.085-3	Wiring Connector

**Wiring diagram**



**Technical Data**

ES4EA-160001-W3	
Voltage (V)	120 (60Hz)
Power (HP)	1/2
Amperage (A)	4.8
Speed (rpm)	1700
Capacity (l/h)	50
Weight (kg/lbs)	7.6/16.7
Dimensions W x H x D (cm/in)	25/9.9 x 39/15.4 x 22/8.7