

INSTRUCTION MANUAL

ELECTRICAL GRIDDLE - MODEL GR5E-81.475.00665-A

- PLEASE** read these instructions carefully before operating this appliance.
- The temperature is thermostatically controlled between the range of 50°C to 300°C (122°F to 572°F). A signal lamp adjacent to the thermostat indicates when heating element is energized.

IMPORTANT

- This unit is designed to operate on alternative current (A.C.) only.
- DO NOT CONNECT TO DIRECT CURRENT (D.C.)**
- Care should be taken when operating this appliance as **HOT SURFACES** may cause burns.
- Ensure that the power supply cord does not come into contact with hot surfaces.
- Do not leave unit in operation without an attendant.
- When not in use for long period unplug the appliance.

INSTALLATION AND OPERATION

- Check if voltage of your power system corresponds to the same specified on the appliance label.
- Before using the appliance for the first time, remove the protection coating (MEDICINAL VASELINE) with a damp cloth and turn the control knob to 300°C (572°F), allow griddle to heat for +/- 30 minutes. You will notice some smoke appearing due to the protection coating and internal insulation burning, which is normal.
- After 30 minutes heating, turn temperature control down to operating desired temperature and grease plate, generously with butter or oil. Never allow excess of fat or oil to buildup as this will result in build-up of carbon on the plates, which should be removed with a scraper.
- Appliance is provided with grease drawer that receives grease and food scraped residues.
- This appliance should be preheated before daily operation. Always allow 15 minutes preheat time before loading griddle with food to give griddle surface time to saturate.
- To turn off your appliance turn thermostat knob completely towards left.

CLEANING PROCEDURE

- Always ensure that the appliance is disconnected from the main power supply before cleaning.
- Try to scrape as much grease and residues from cooking surface as possible while the unit is still hot.
- After appliance has cooled, clean cooking surface and body using only a damp cloth. Never use water jet or immerse appliance in water.
- Wipe off appliance with a dry cloth and wait at least half an hour before re-connecting to main power outlet.

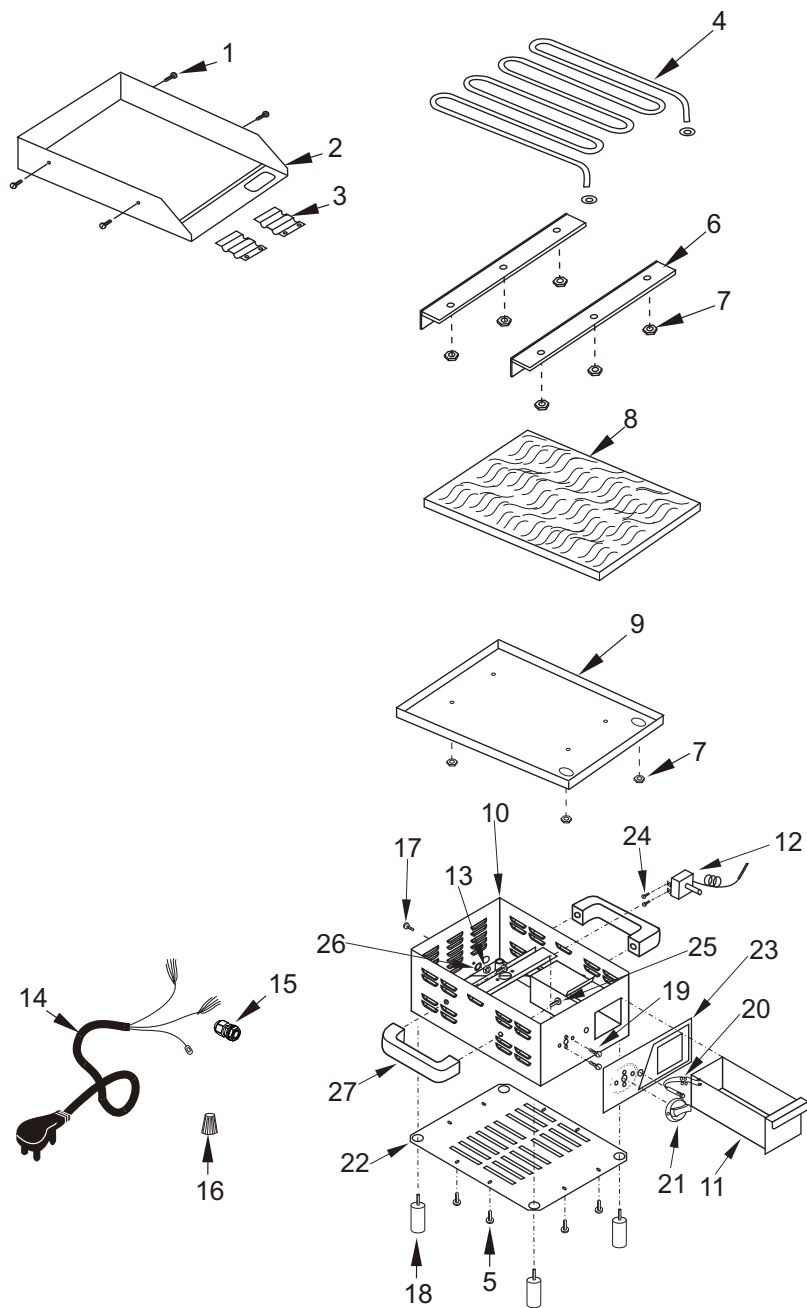
The pictures/drawings are illustrations. All data can be changed without notification.



AMERICA PARTS & TOOLS, INC

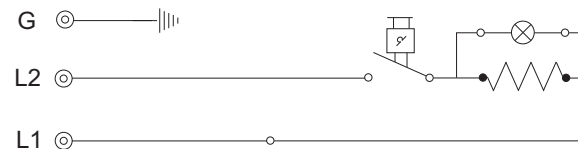
3705 NW, 115th Ave Unit 8
Doral, FL 33178
PH: +1-786-5369960
email: info@americapartstools.com

GR5E-81.475.00665-A



Item	Code	Description
1	566	Screw (4,8)
2	3.752-3	Cooking Plate
3	2.065-3	Thermostat Bulb Retainer
4	21.336-3	Heating Element (1600W)
5	552	Screw (3,5)
6	18.954-3	Heating Element Support
7	635	Nut
8	3.706-3	Insulation
9	3.709-3	Heating Plate Protection
10	21.954-3	Body
11	21.988-3	Grease Drawer
12	2.009-3	Thermostat
13	604	Nut (3/16")
14	2.082-3	Cord Connection
15	9.433-3	Cord Retainer
16	2.085-3	Wire Connector
17	385	Screw (3/16")
18	1.918-3	Foot
19	330	Screw
20	2.013-3	Pilot Light
21	21.288-3	Knob
22	20.182-3	Bottom Cover Plate
23	20.718-3	Label
24	329	Screw
25	366	Screw
26	594	Washer
27	94.060-3	Side Gap

Wiring diagram



Technical Data

GR5E-81.475.00665-A	
Voltage (V)	120
Power (W)	1600
Amperage (A)	12.6
Weight (kg/lbs)	13.6/29.9
Dimensions W x H x D (cm/in)	31/12.3 x 36/14.2 x 48/18.9