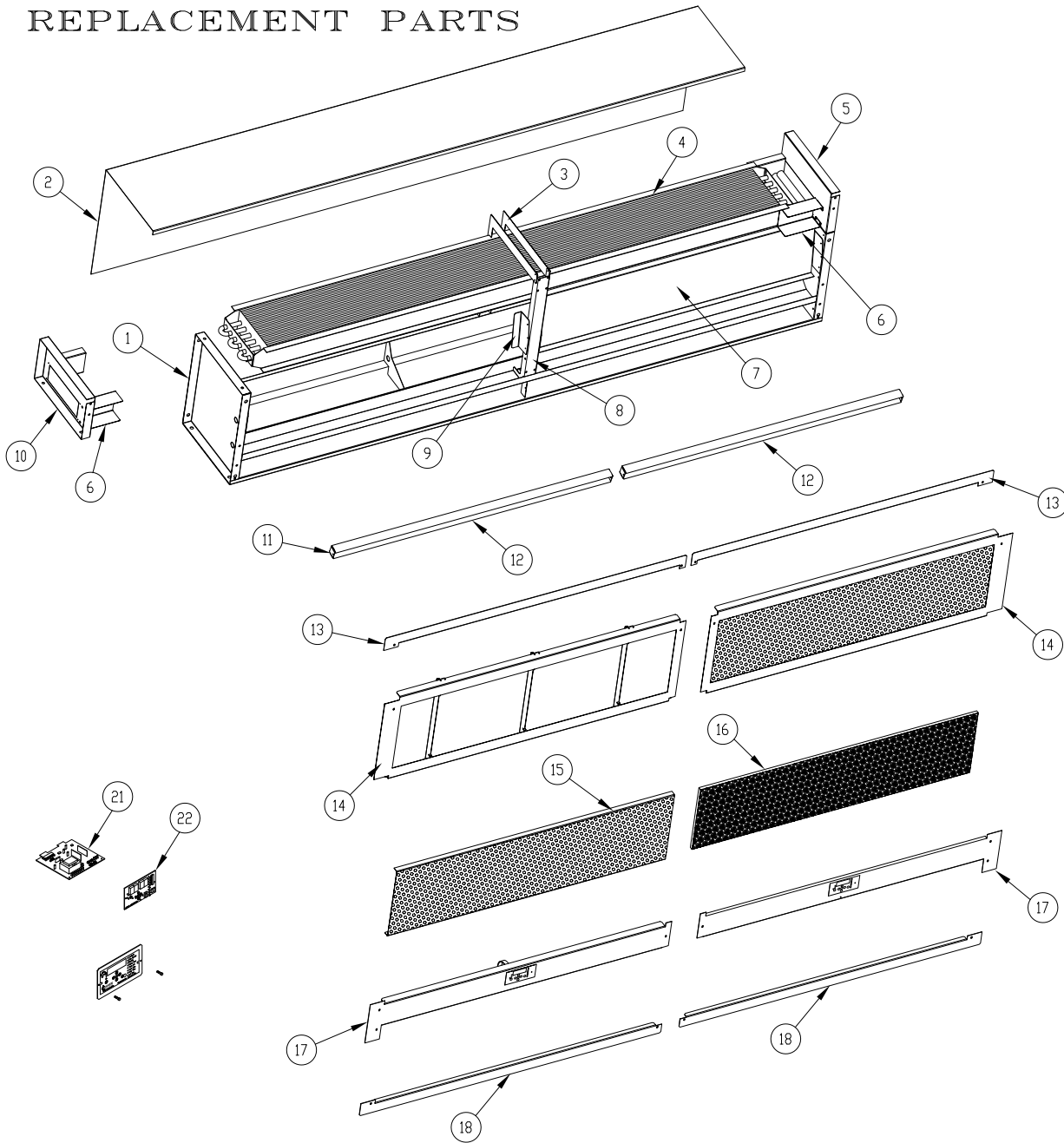


ARC16

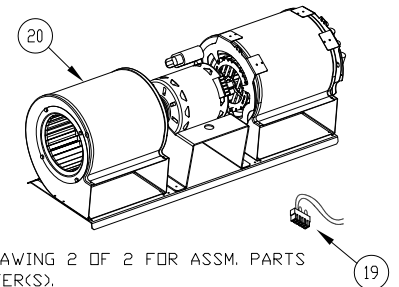
IN-CEILING UNIT

REPLACEMENT PARTS



ITEM	DESCRIPTION	PART #
1	MAIN CHAN-WELD	43ICA***MC
2	TOP COVER	40ICA***TC
3	TOP COVER CENTRAL SUPPORT	40ICA000TC-S
4	COIL-STM 09 X *** D5/8 1R/8F (specify unit size)	10S***09F108S
5	END PLATE-RH	40ICA000EP-R
6	COIL BOTDM MOUNT	40ICA000CB-B
7	COIL BAFFLE	40ICA***CB
8	BOTTOM ACCESS COVER SUPPORT	40ICA000BAC-S
9	COIL BAFFLE-MOUNT	40ICA000CB-M
10	END PLATE-LH	40ICA000EP-L
11	NOZZLE VANE CLIP 1-1/2	40GEN-NVC-1012
12	NOZZLE VANE (specify vane length - inches)	06ALM516ARF-121
13	BOTTOM CVR, FRONT, WHT ALM, (36" thru 72" unit - 1 PC)	40ICA***BC-F-WA
13	BOTTOM CVR, FRONT, WHT ALM, (84" thru 144" unit- 2 PC)	40ICA***BC-F-WA
14	INLET SCREEN ASM, WHT ALM, (36" thru 72" unit - 1 PC)	08ICA***ISA-WH
14	INLET SCREEN ASM, WHT ALM, (84" thru 144" unit 2 PC)	08ICA***ISA-WH
15	INLET SCREEN ONLY, WHT ALM	08ICA***IS-WP
16	FILTER-RECLEAN POLYFLO (12 X 48 X 1/2 BULK)	80PLEIF2FLO-12BK
17	BOTTOM CVR, NOZ SUR, WHT ALM, (36" thru 72" unit - 1 PC)	40ICA***BC-N-WA
17	BOTTOM CVR, NOZ SUR, WHT ALM, (84" thru 144" unit- 2 PC)	40ICA***BC-N-WA
18	BOTTOM CVR, BACK, WHT ALM, (36" thru 72" unit - 1 PC)	40ICA***BC-B-WA
18	BOTTOM CVR, BACK, WHT ALM, (84" thru 144" unit- 2 PC)	40ICA***BC-B-WA
19	WIRING HARNESS, 120/208-240V - 1 & 3 SPD, 1 PH (mtr.)	505WH15ARA
19	WIRING HARNESS, 480V - 1 SPD, 1 PH (mtr.)	505WH230LWA
19	WIRING HARNESS, 480-600V - 3 SPD, 1 PH (mtr.)	505WH006MC
20	VSB30-BLOWER ASSEMBLY UNHEATED (120, 1PH)	44VSB030AA
20	VSB30-BLOWER ASSEMBLY UNHEATED (208/240V, 1PH)	44VSB030AB
20	VSB30-BLOWER ASSEMBLY UNHEATED (480V, 1PH)	44VSB030AZ
20	VSB30-BLOWER ASSEMBLY UNHEATED (600V, 1PH)	44VSB030AQ
21	GREEN CONTRL BRD 16 AMP * MOTDR 2nd-ED	33G016S-CB*-INT-2
22	GREEN DISPLAY BRD 2nd-ED	33G000S-DB-INT-2
-	INTELLISWITCH T-STAT PROBE - 72" STANDARD (NOT SHOWN)	9502G072-A
-	INTELLISWITCH T-STAT PROBE - 144" (NOT SHOWN)	9502G072-A

*** SPECIFY LENGTH (IN INCHES)
 ** SPECIFY WHITE ALUM (WA) OR STAINLESS STEEL (SS)
 * SPECIFY QTY OF MOTORS



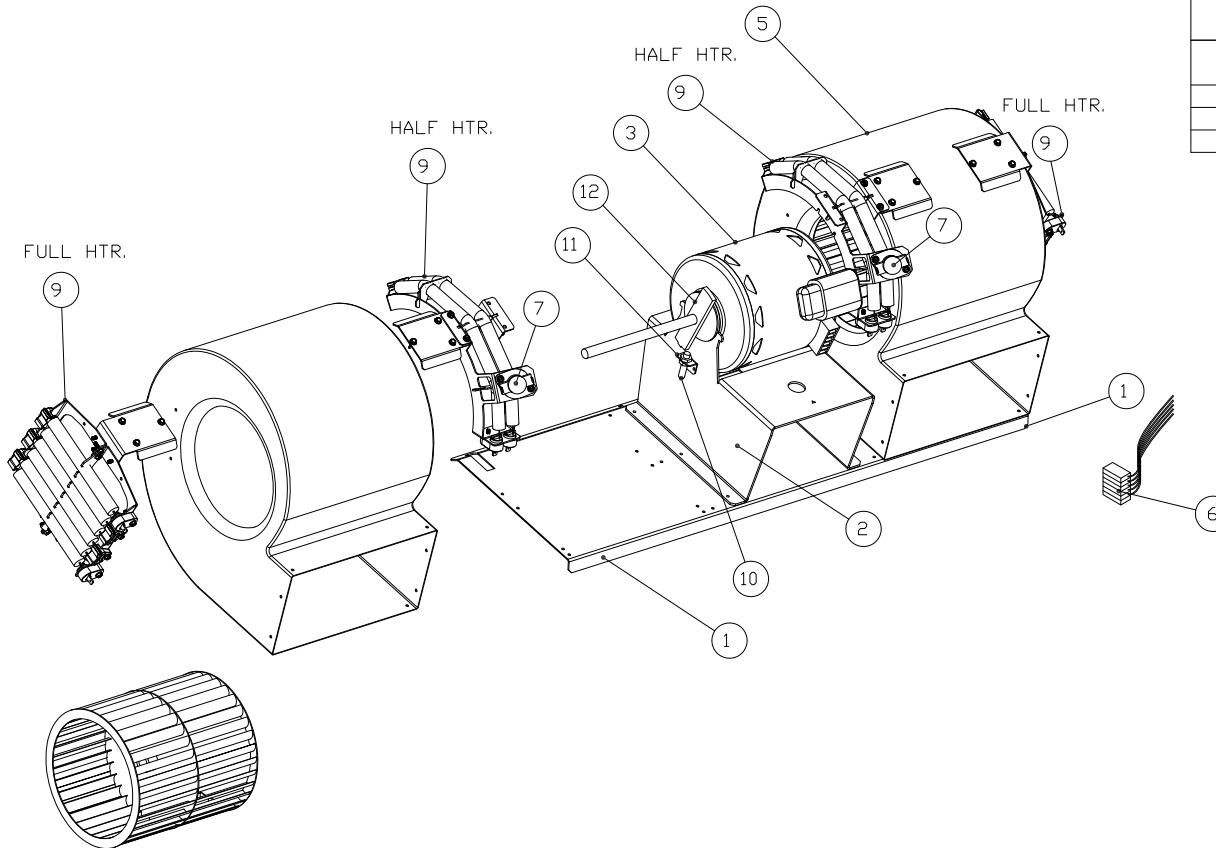
NOTE: REFER TO DRAWING 2 OF 2 FOR ASSM. PARTS AND KW HEATER(S).

SHEET 1 OF 2

PROJECT		
LOCATION		
ARCHITECT		
ENGINEER		REV. -
DWG. NO.	ARC16-RP	TITLE: BERNER
DATE	7 JAN15	MODEL: IN-CEILING MOUNT UNIT
BY	S.Beil	ARC16 REPLACEMENT PARTS
REPLACES	-	BERNER INTERNATIONAL CORP. NEW CASTLE, PA.
BY	-	

ARC16

IN-CEILING UNIT BLOWER ASSEMBLY REPLACEMENT PARTS



ITEM	DESCRIPTION	PART #
1	BLOWER MOUNTING PLATE	40VS-030BMP
2	MOTOR MOUNT 1 HP, (for 120V, 208-240V/1 PH motors)	40VSB012MMC-001
2	MOTOR MOUNT 1 HP, (for 480V, 600V/1 PH motors)	40VSB012MMZ-001
3	MTR - 1 HP, (120V, 1 PH)	01001048F2X18A
3	MTR - 1 HP, (208-240V, 1 PH)	01001048F2X18B
3	MTR - 1 HP, (480V, 1 PH)	01001048F2X18Z
3	MTR - 1 HP, (600V, 1 PH)	01001048F2X18Q
5	BLOWER WHEEL & HOUSING ASSM (3 PHASE)	29B712S034G-L
5	BLOWER WHEEL & HOUSING ASSM (1 PHASE)	29B712S058G-L
6	120/208-240V WIRING HARNESS - 1 & 3 SPD, 1 PH (mtr.)	505WH115ARA
6	480V WIRING HARNESS - 1 SPD, 1 PH (mtr.)	505WH230LWA
6	480-600V WIRING HARNESS - 3 SPD, 1 PH (mtr.)	505WH0006MC
7	THERMAL CUTOFF (PROVIDED WITH NEW HEATER)- AVAILABLE AS REPL. PART	36A145-105-90
8	MOTOR CLIP-TWO PER MOTOR (NOT SHOWN)	32LWA000CLP
9	VENTURI HEATER SET (7KW 208V) - new (-F) = FULL HEATER, (-H) = HALF HEATER	† 11VTH047D-F 11VTH023D-H
9	VENTURI HEATER SET (7KW 240V) - new (-F) = FULL HEATER, (-H) = HALF HEATER	† 11VTH047E-F 11VTH023E-H
9	VENTURI HEATER SET (7KW 480V) - new (-F) = FULL HEATER, (-H) = HALF HEATER	† 11VTH047H-F 11VTH023H-H
9	VENTURI HEATER SET (7KW 600V) - new (-F2) = FULL HEATER, (-H2) = HALF HEATER	† 11VTH047I-F2 11VTH023I-H2
9	VENTURI HEATER SET (5KW 600V) - new (-F2) = FULL HEATER, (-H2) = HALF HEATER	† 11VTH033I-F2 11VTH017I-H2
9	VENTURI HEATER SET (4KW 600V) - new (-F2) = FULL HEATER, (-H2) = HALF HEATER	† 11VTH027I-F2 11VTH013I-H2
9	VENTURI HEATER SET (3KW 600V) - new (-F2) = FULL HEATER, (-H2) = HALF HEATER	† 11VTH020I-F2 11VTH010I-H2
10	PROX SENSOR	9506ND008-NPN-TA
11	GREEN SPEED SENSOR MOUNT BRKT.	40ICA000GSS-MB
12	ZPR-GREEN BOARD SPD SENSOR TRIGGER	40ZPR000GSS-T

† BOTH HEATERS ARE REQUIRED FOR FULL KW

SHEET 2 OF 2

PROJECT		
LOCATION		
ARCHITECT		
ENGINEER		REV. -
DWG. NO.	ARC16-RP	TITLE: BERNER
DATE	7 JAN15	MODEL: IN-CEILING MOUNT UNIT
BY	S.Beil	ARC16 REPLACEMENT PARTS
REPLACES	-	BERNER INTERNATIONAL CORP. NEW CASTLE, PA.
BY	-	