



**Architect/Engineering Specifications:**

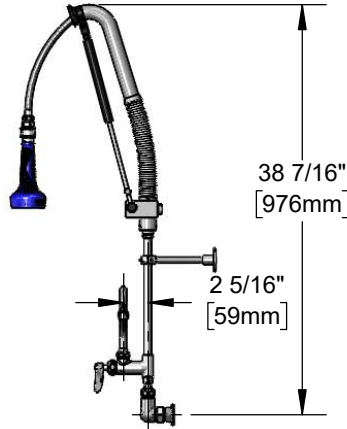
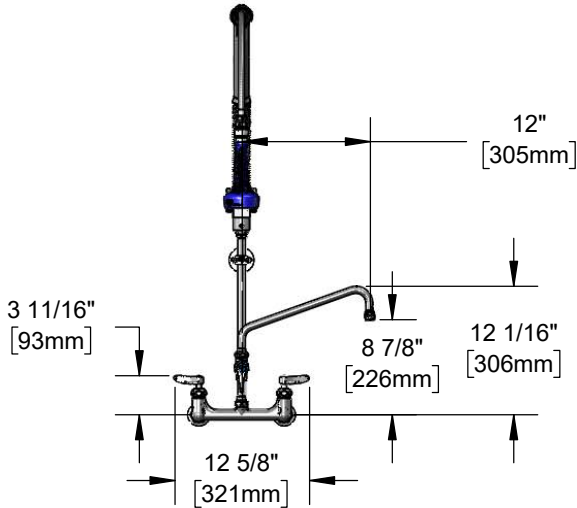
8" wall mount mixing faucet with polished chrome plated brass body, add-on faucet with ceramic cartridge with check valve and lever handle, 12" swing nozzle with stream regulator outlet, 12" rigid riser, pull-down activated stainless steel valve unit, insulated grip handle, 1.07 GPM sprayer, ceramic cartridges with check valves, lever handles, 1/2" NPT female inlets and 6" adjustable wall bracket. Certified to ASME A112.18.1/CSA B125.1, NSF 61-Section 9 and NSF 372. 2019 DOE PRSV - Class II compliant.

Job Name \_\_\_\_\_

Model Specified \_\_\_\_\_ Quantity \_\_\_\_\_

Variations Specified \_\_\_\_\_

Date \_\_\_\_\_



**Features & Benefits:**

- 8" wall mount mixing faucet w/ polished chrome plated brass body
- EasyInstall add-on faucet w/ polished chrome plated brass body
- 12" swing nozzle w/ stream regulator outlet, Series 1
- 12" rigid riser
- Stainless steel pull-down activated valve unit w/ insulated grip handle blue sprayer
- 1.07 GPM sprayer
- Quarter-turn Cerama cartridges w/ check valves to prevent cross flow of water
- Lever handles w/ color coded indexes
- 1/2" NPT female eccentric inlets with Ø 2" flanges
- 6" adjustable wall bracket
- Material: Polished chrome plated brass body, add-on faucet, riser, stainless steel hose, valve body, spring, and chrome plated metal handles

**Product Compliance:**

- ASME A112.18.1 / CSA B125.1
- NSF 61 - Section 9
- NSF 372 (Low Lead Content)
- 2019 DOE PRSV - Class II



**Warranty:** Seven Year (Limited)

- Cerama Cartridge: Lifetime (Limited)

**Performance Data:**

- Pressure: 20 - 125 psi
- Temperature: 40 °F - 140 °F
- Flow Rate:
  - Spray Valve: 1.07 GPM @ 60 psi
  - Add-On Faucet: 5.35 GPM @ 60 psi

**Optional Add-On Faucet Outlets (Series 1 / VR Series 6)**

| GPM | Aerated                                | VR Aerated (VR Laminar)                |
|-----|--|--|
| 1.0 | <input type="checkbox"/> B-0199-01-F10 | <input type="checkbox"/> B-0199-06-F10 |
| 1.5 | <input type="checkbox"/> B-0199-01-WS  | <input type="checkbox"/> B-0199-06-WS  |
| 2.2 | <input type="checkbox"/> B-0199-01     | <input type="checkbox"/> B-0199-06     |

**Optional Handles**

- 4" Wrist Action
- Lever (Standard)
- 4-Arm

