

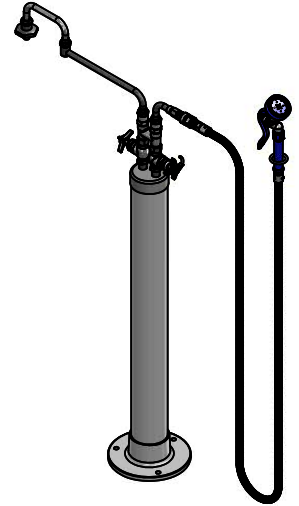
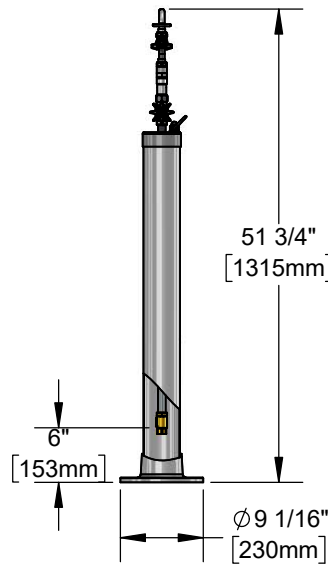
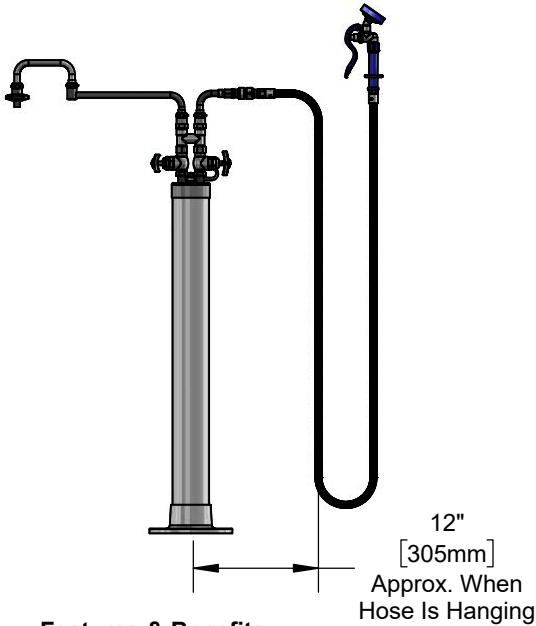


Combination Kettle Filler and Spray Stanchion

Architect/Engineering Specifications:

Stanchion with chrome plated brass body, 1/2" swivel coupling, 104" flexible stainless steel hose with heat resistant handle, high flow angled spray valve, control valves with compression cartridges, continuous pressure vacuum breaker, 1/2" check valves, 18" double joint swing nozzle, on/off volume control outlet with insulated grip, 4-arm handles and finger hook. Certified to ASME A112.18.1/CSA B125.1, NSF 61-Section 9 and NSF 372.

Job Name _____
Model Specified _____ Quantity _____
Variations Specified _____
Date _____



Features & Benefits:

- Stanchion w/ polished chrome plated brass body
- 18" double joint swing nozzle
- On/off volume control outlet with insulated grip
- 1/2" NPT check valves
- 1/2" swivel coupling
- 104" flexible stainless steel hoses with heat resistant blue handle and hold down ring
- High flow spray valve
- Continuous pressure vacuum breaker
- Control Valves w/ Big-Flo compression spindles
- 4-arm handles w/ color coded indexes
- Finger hook mounted on stanchion
- Material: Polished chrome plated brass stanchion, tubular nozzle and spray valve bodies, chrome plated vacuum breakers, chrome plated metal handles and stainless steel hose

Product Compliance:

- ASME A112.18.1 / CSA B125.1
- NSF 61 - Section 9
- NSF 372 (Low Lead Content)
- EPA 2005 Non-Compliant (PRSV)
- CSA B64.8 (VB)

Warranty: One Year (Limited)

Performance Data:

- Pressure: 20 - 125 psi
- Temperature: 40°F - 140°F
- Flow Rate:
 - Spray Valve: 2.68 GPM @ 60 psi
 - Nozzle: 19.20 GPM @ 60 psi

