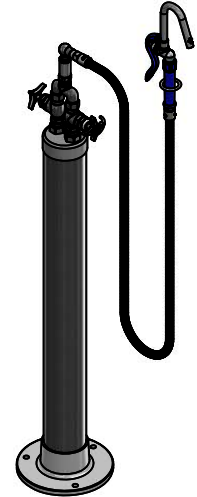
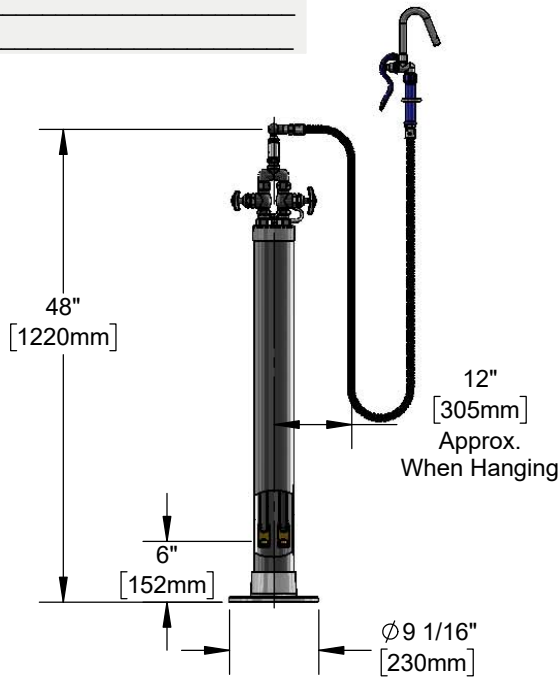




**Architect/Engineering Specifications:**

Stanchion with chrome plated brass body, 68" flexible stainless steel hose with heat resistant handle, spray valve with hook nozzle, control valves with compression cartridges, mixing valve, 1/2" check valves, 4-arm handles, & finger hook. Certified to ASME A112.18.1/CSA B125.1, NSF 61-Section 9 and NSF 372.

Job Name \_\_\_\_\_  
 Model Specified \_\_\_\_\_ Quantity \_\_\_\_\_  
 Variations Specified \_\_\_\_\_  
 Date \_\_\_\_\_



**Features & Benefits:**

- Stanchion w/ polished chrome plated brass body
- 68" flexible stainless steel hoses with heat resistant blue handle and hold down ring
- Spray valve with hook nozzle
- 1/2" NPT check valves
- Control valves w/ Big-Flo compression cartridges
- Mixing valve
- 4-arm handles w/ color coded indexes
- Finger hook mounted on stanchion
- Material: Polished chrome plated brass stanchion and control valves, chrome plated metal handles and stainless steel hose

**Product Compliance:**

- ASME A112.18.1 / CSA B125.1
- NSF 61 - Section 9
- NSF 372 (Low Lead Content)
- EPA Act 2005 Non-Compliant (PRSV)

**Warranty:** One Year (Limited)

**Performance Data:**

- Pressure: 20 - 125 psi
- Temperature: 40°F - 140°F
- Flow Rate: 3.18 GPM @ 60 psi

