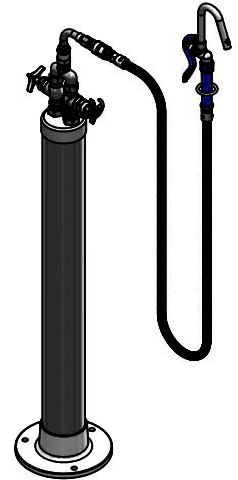
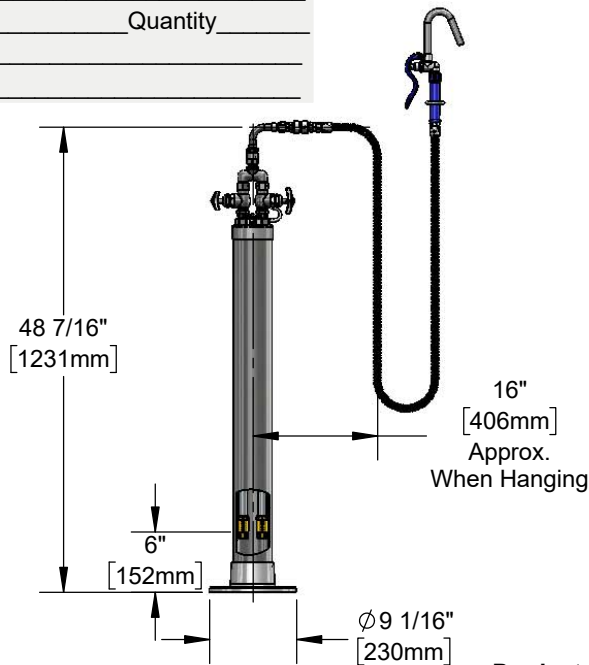




Architect/Engineering Specifications:

Stanchion with chrome plated brass body, 68" flexible stainless steel hose with heat resistant handle, continuous pressure vacuum breaker, spray valve with hook nozzle, control valves with compression cartridges, mixing valve, 1/2" check valves, 4-arm handles, & finger hook. Certified to ASME A112.18.1/CSA B125.1, NSF 61-Section 9 and NSF 372.

Job Name \_\_\_\_\_  
 Model Specified \_\_\_\_\_ Quantity \_\_\_\_\_  
 Variations Specified \_\_\_\_\_  
 Date \_\_\_\_\_



Features & Benefits:

- Stanchion w/ polished chrome plated brass body
- 68" flexible stainless steel hoses with heat resistant blue handle and hold down ring
- Continuous pressure vacuum breaker
- Spray valve with hook nozzle
- 1/2" NPT check valves
- Control valves w/ Big-Flo compression cartridges
- Mixing valve
- 4-arm handles w/ color coded indexes
- Finger hook mounted on stanchion
- Material: Polished chrome plated brass stanchion and control valves, chrome plated metal handles and stainless steel hose

Product Compliance:

- ASME A112.18.1 / CSA B125.1
- NSF 61 - Section 9
- NSF 372 (Low Lead Content)
- EPAAct 2005 Non-Compliant (PRSV)
- CSA B64.8 (VB)



Warranty: One Year (Limited)

Performance Data:

- Pressure: 20 - 125 psi
- Temperature: 40 °F - 140 °F
- Flow Rate: 2.68 GPM @ 60 psi

