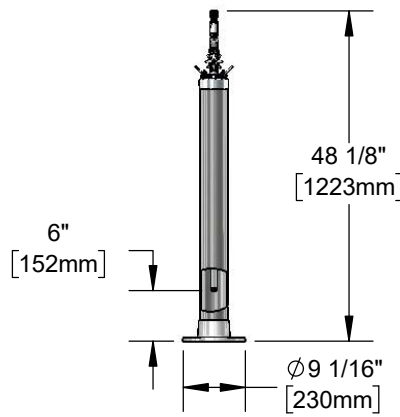
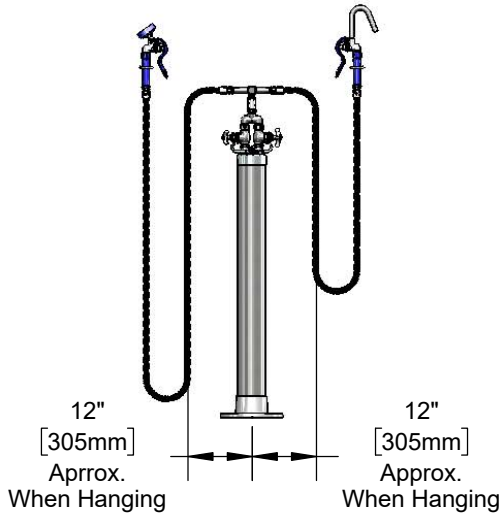
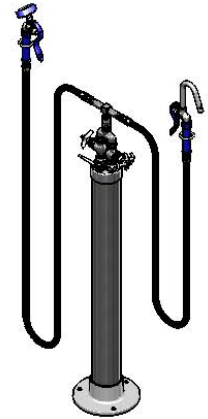




Architect/Engineering Specifications:

Stanchion with chrome plated brass body, swivel tee, 104" and 68" flexible stainless steel hoses with heat resistant handles, high flow angled spray valve, spray valve with hook nozzle, control valves with compression cartridges, 4-arm handles and finger hooks. Certified to ASME A112.18.1/CSA B125.1, NSF 61-Section 9 and NSF 372.

Job Name _____
 Model Specified _____ Quantity _____
 Variations Specified _____
 Date _____



Features & Benefits:

- Stanchion w/ polished chrome plated brass body
- Two check valves
- Swivel tee
- 104" flexible stainless steel hose with heat resistant blue handle and hold down ring
- 68" flexible stainless steel hose with heat resistant blue handle and hold down ring
- High flow angled spray valve
- Spray valve with hook nozzle
- Control Valves w/ Big-Flo compression spindles
- 4-arm handles w/ color coded indexes
- Two finger hooks mounted on stanchion
- Material: Polished chrome plated brass body, swivel tee and spray valve bodies, chrome plated vacuum breakers, chrome plated metal handles and stainless steel hose

Product Compliance:

- ASME A112.18.1 / CSA B125.1
- NSF 61 - Section 9
- NSF 372 (Low Lead Content)
- EPA Act 2005 Non-Compliant (PRSV)



Warranty: One Year (Limited)

Performance Data:

- Pressure: 20 - 125 psi
- Temperature: 40 °F - 140 °F
- Flow Rate:
 - Spray Valve: 2.68 GPM @ 60 psi
 - Hook Nozzle: 3.18 GPM @ 60 psi

