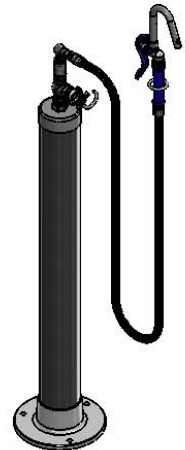
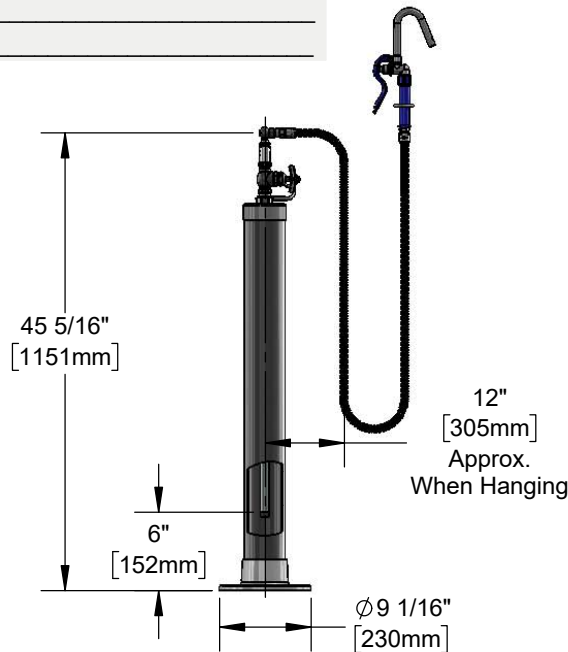




Architect/Engineering Specifications:

Stanchion with chrome plated brass body, 68" flexible stainless steel hose with heat resistant handle, spray valve with hook nozzle, control valve with compression cartridge, 4-arm handle, and finger hook. Certified to ASME A112.18.1/CSA B125.1, NSF 61-Section 9 and NSF 372.

Job Name _____
 Model Specified _____ Quantity _____
 Variations Specified _____
 Date _____



Features & Benefits:

- Stanchion w/ polished chrome plated brass body
- 68" flexible stainless steel hose with heat resistant blue handle and hold down ring
- Spray valve w/ hook nozzle
- Control valve w/ Big-Flo compression cartridge
- 4-arm handle
- Finger hook mounted on stanchion
- Material: Polished chrome plated brass stanchion and control valves, chrome plated brass metal handles and stainless steel hose

Product Compliance:

- ASME A112.18.1 / CSA B125.1
- NSF 61 - Section 9
- NSF 372 (Low Lead Content)
- EPA 2005 Non-Compliant (PRSV)



Warranty: One Year (Limited)

Performance Data:

- Pressure: 20 - 125 psi
- Temperature: 40°F - 140°F
- Flow Rate: 3.18 GPM @ 60 psi

