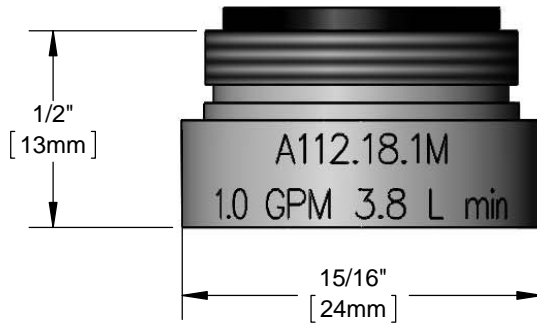




Architect/Engineering Specifications:

1.0 GPM laminar flow vandal resistant outlet with polished chrome plated brass body, 13/16-27 UN male thread. Certified to ASME A112.18.1/CSA B125.1, NSF 61-Section 9 and NSF 372.

Job Name _____
 Model Specified _____ Quantity _____
 Variations Specified _____
 Date _____



Features & Benefits:

- 1.0 GPM laminar flow outlet
- 13/16-27 UN male threads, Series 8
- Vandal resistant key included
- Material: Polished chrome plated brass body

Product Compliance:

- ASME A112.18.1 / CSA B125.1
- NSF 61 - Section 9
- NSF 372 (Low Lead Content)

Warranty: One Year (Limited)

Performance Data:

- Pressure: 20 - 125 psi
- Temperature: 40°F - 140°F
- Flow Rate: 1.0 GPM @ 60 psi

